

# IWA 3S + DryDock. 18 in stock

## SPECIFICATIONS

### IWA-3-S-DD-18-S-WA



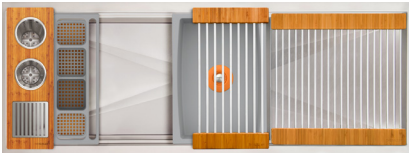
American Black Walnut / Graphite Resin+

### IWA-3-S-DD-18-S-GT



Graphite Wood Composite / Graphite Resin+

### IWA-3-S-DD-18-S-BA



Natural Golden Bamboo / Exclusive Gray Resin+

### IWA-3-S-DD-18-S-GR



Exclusive Gray Resin\* / Resin+

### IWA-3-S-DD-18-S-WH



Designer White Resin\* / Resin+

## Wash Tools included (WKT-4T)



(1) Upper Tier  
Drying Rack  
9 1/4" x 18"  
DR-09-U-xx



(1) Lower Tier  
Wash Caddy  
6" x 17"  
WC-06-L-xx



(1) Lower Tier  
Wash Bowl  
12" x 17"  
WB-12-L-xx



(1) Upper Tier  
Utensil Caddy  
6" x 18"  
UC-06-U-xx

## Specifications

Single bowl  
Users: 1  
Wash Tools included: Four  
DryDock Tool included: One  
Galley Tap recommended: One  
Outside dimensions: 51 1/2" x 19 1/2" x 2 1/16"  
Interior dimensions: 50" x 17" x 2"  
Countertop cutout: 50 1/2" x 18"  
Minimum cabinet size: 54" or 135cm  
**Minimum clearance required for DryDock below countertop: 2"**  
DryDock location: Drain side (S)

## Basin (KSO-3-S-DS-18-S-SS)

16GA 316L stainless steel indoor/outdoor  
SilentArmor™ sound reduction technology  
Angel finish  
Three tier design  
Star™ groove pattern  
Reversible side drain  
Drain cover included  
Limited Lifetime Warranty  
Made in the USA  
ASME A112.19.3/CSA B45.4 certified  
cUPC™ certified

## Customize Your Galley

Add 7-12" length  
Add 1-6" length  
Add 18" DryDock  
Add 12" DryDock  
Apron front

9" depth  
Center drain  
ThinTop™  
WorkTop™  
\*Color coded labels available

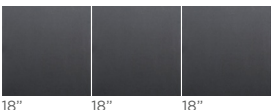
## DryDock Tool included (DR-18)



(1) Dual Tier  
Drying Rack  
18" x 17"  
DR-18-D-xx

## Upper Deck.

Cover set **UD-3-18-3P-WA/GT/BA/GR/WH** Walnut, Graphite, Bamboo, Gray or White Resin



Sections Walnut, Graphite, Bamboo, Gray or White Resin



## Recommended Basin Accessories & citrine.

Bottom Grate set **BG-3-S-1-SS** Stainless Steel



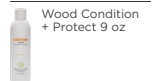
31 1/2"

**CIT-09-SS-C**



Stainless Steel  
Clean + Polish 9 oz

**CIT-09-WD-C**



Wood Condition  
+ Protect 9 oz

**CIT-04-WD-B**



Wood Finishing  
Balm 4 oz

Strainer **M-DRN-MSS**  
Angel Finish 304 Stainless Steel



Disposal Strainer **G-DRN-MSS**  
Angel Finish 304 Stainless Steel



Auto Strainer Angel Finish 304 Stainless Steel with Polished or Matte knob



**A-DRN-PSS**  
**A-DRN-MSS**

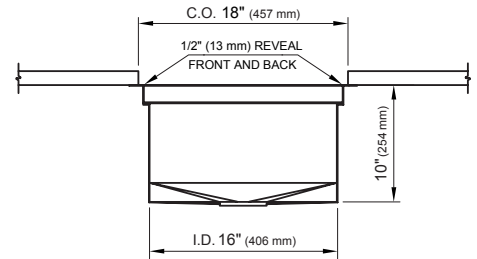
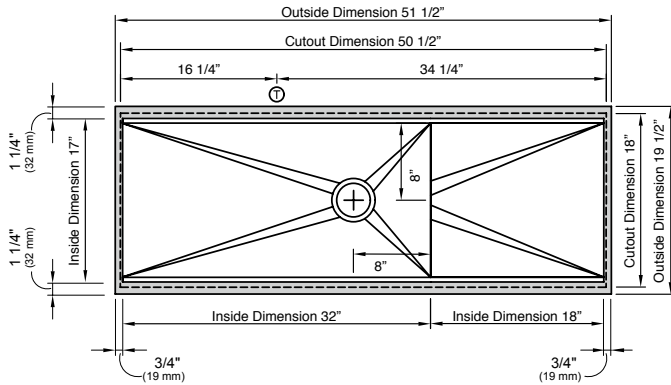
A-DRN-MSS shown

# IWA 3S + DryDock® 18 in stock

## SPECIFICATIONS | Right Hand Drain Orientation



### Tap Hole Specifications



#### SUGGESTED GALLEY TAP PLACEMENT GUIDE

Suggested maximum inside corner radius of countertop cutout 3/8"

① Galley Tap 1 3/8" min to 1 1/2" max hole diameter

Center Tap hole diameters 2" behind cutout

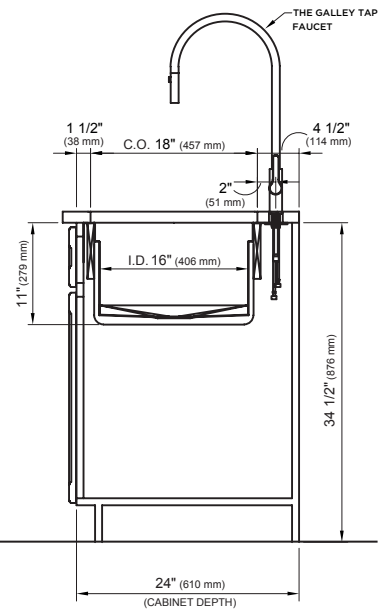
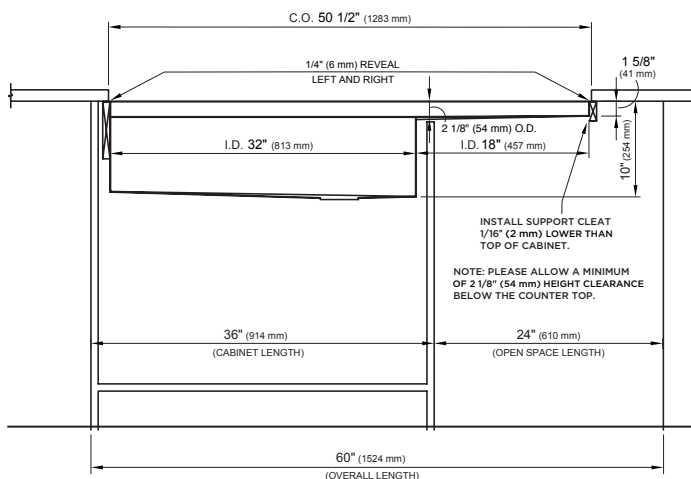
Note: Galley Hot & Cold Tap requires a minimum 8" clearance to center if installed to the right of the Galley Tap

Note: Tap Placements are for right hand or left hand drain orientation

Call 800.375.4255 or email [customercare@thegalley.com](mailto:customercare@thegalley.com) for additional guidance on Tap and Tap Accessory placements

### Countertop Cutout Plan

**Important Installation Note:** DryDock requires 2" minimum clearance below countertop



STAINLESS STEEL COMPLIANCE ASME A112. 19.3-2008/CSA B45.4-08

WE RESERVE THE RIGHT TO MAKE REVISIONS WITHOUT NOTICE IN THE DESIGN OF PRODUCTS OR IN PACKAGING UNLESS THIS RIGHT HAS SPECIFICALLY BEEN WAIVED AT THE TIME THE ORDER IS ACCEPTED.

DWG and DXF templates available on our website:

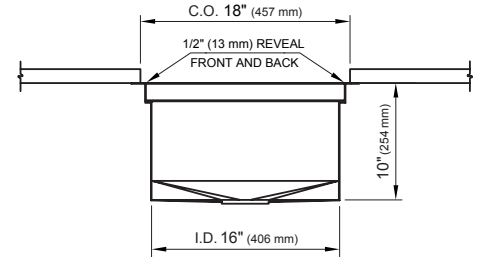
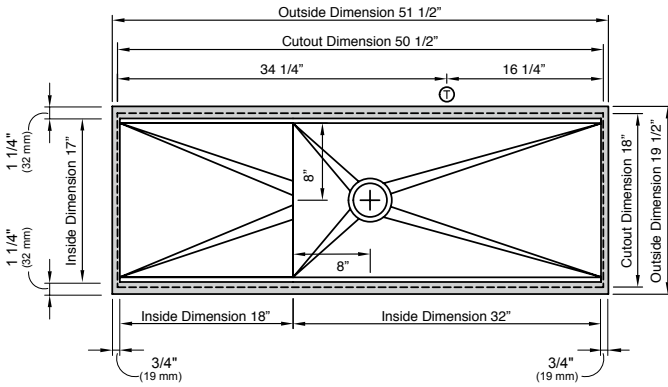
[TheGalley.com/specification-library](http://TheGalley.com/specification-library)

Questions? For additional assistance, please contact  
The Galley's Customer Care Department at 800.375.4255

# IWA 3S + DryDock® 18 in stock

## SPECIFICATIONS | Left Hand Drain Orientation

### Tap Hole Specifications



#### SUGGESTED GALLEY TAP PLACEMENT GUIDE

Suggested maximum inside corner radius of countertop cutout 3/8"

① Galley Tap 1 3/8" min to 1 1/2" max hole diameter

Center Tap hole diameters 2" behind cutout

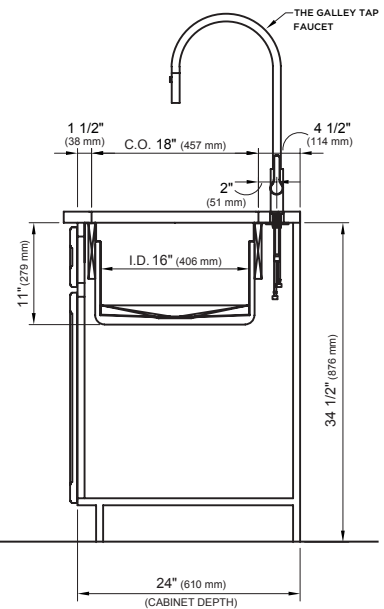
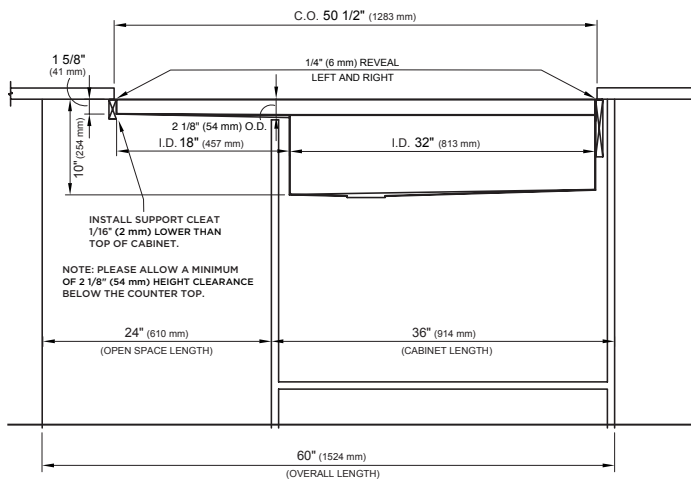
Note: Galley Hot & Cold Tap requires a minimum 8" clearance to center if installed to the right of the Galley Tap

Note: Tap Placements are for right hand or left hand drain orientation

Call 800.375.4255 or email [customercare@thegalley.com](mailto:customercare@thegalley.com) for additional guidance on Tap and Tap Accessory placements

### Countertop Cutout Plan

**Important Installation Note:** DryDock requires 2" minimum clearance below countertop



#### STAINLESS STEEL COMPLIANCE ASME A112. 19.3-2008/CSA B45.4-08

WE RESERVE THE RIGHT TO MAKE REVISIONS WITHOUT NOTICE IN THE DESIGN OF PRODUCTS OR IN PACKAGING UNLESS THIS RIGHT HAS SPECIFICALLY BEEN WAIVED AT THE TIME THE ORDER IS ACCEPTED.

DWG and DXF templates available on our website:

[TheGalley.com/specification-library](http://TheGalley.com/specification-library)

Questions? For additional assistance, please contact  
The Galley's Customer Care Department at 800.375.4255