

Ideal BarStation® 18

IBS 18 BA



Natural Golden Bamboo

IBS 18 GT



Graphite Wood Composite

IBS 18 WH



Designer White Resin*

IBS 18 GR



Exclusive Gray Resin*

Specifications

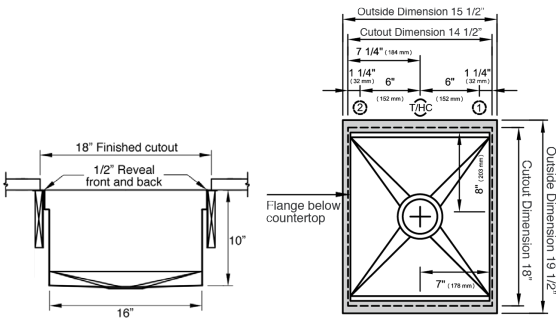
- Single bowl
- User: 1
- Culinary Tools included: Two
- Galley Tap recommended: One
- Outside dimensions: 15 1/2" x 19 1/2" x 10 5/16"
- Counter top cutout: 14 1/2" x 18"
- Basin area: 14" x 16"
- Minimum cabinet size: 18" or 40cm

Culinary Tools included

- (1) Upper Tier Garnish Cutting Board 6" x 18"
- (1) Lower Tier Mini Drying Rack 6" x 17"

Basin construction

- 16GA 316L stainless steel indoor/outdoor
- Angel finish
- Two tier design
- Star™ groove pattern
- Center drain
- Drain cover included
- Limited Lifetime Warranty
- Made in the USA
- ASME A112.19.3/CSA B45.4 certified



Suggested maximum inside corner radius of counter top cutout 3/8"
 Center Tap hole diameters 2" behind cutout
 T.H.C. Galley Tap/BarTap 1 3/8" min hole diameter (1 1/2" min hole diameter for fast water jet cut)
 or Galley Hot and Cold Water Dispenser* 1 3/8" min hole diameter (1 1/2" min hole diameter for fast water jet cut)
 1. Galley Deck Switch 1 3/8" min hole diameter or Galley Automatic Strainer Basket knob 1" min and 1 3/8" max hole diameter
 2. Galley Hot and Cold Water Dispenser* or Galley Soap Dispenser 1" min to 1 3/8" max hole diameter
 *Galley Hot and Cold Water dispenser requires a minimum 8" clearance to center if installed to the right of the Galley Tap

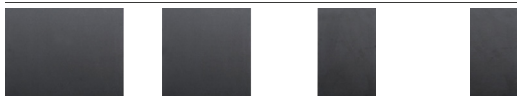
Upper Deck™ (Optional)

Upper Deck set **UD B 2P GT/BA/WH/GR** Graphite, Bamboo, White or Gray Resin



9" 9"

Upper Deck sections Graphite, Bamboo, White or Gray Resin



UD24GT/BA/WH/GR UD18IGT/BA/WH/GR UD12IGT/BA/WH/GR UD09IGT/BA/WH/GR

Recommended Workstation Accessories

Bottom Grate set **BG 18 1 SS** Stainless Steel



13 1/2"

Manual Strainer Basket
MDRNMSS Angel Finish Stainless Steel



Disposal Flange Strainer Basket
GDRNMSS Angel Finish Stainless Steel



Auto Strainer Basket Angel Finish Stainless Steel with Polished or Matte knob



ADRNPS
 ADRNMSS