

# THE **GALLEY** TAP<sup>®</sup>

Ideal Hot & Cold Tap and Ideal Hot Water Tank<sup>™</sup>

## INSTALLATION AND OPERATING GUIDE

Keep this guide for future reference

# Read Before You Begin Installation

We are delighted you have chosen The Galley Ideal Hot & Cold Tap and the Ideal Hot Water Tank™ for your home. These products, paired with a certified, (NSF/ANSI 42 and 53), high flow water filtration unit will give your family years of enjoyment. Please read and follow this step-by-step guide to installation operation and care for these products. Doing so will ensure they are installed safely and accurately.

**For your safety and a worry free installation, please read and follow ALL the instructions, cautions and warnings BEFORE installation. The Ideal Hot & Cold Tap (HFO-D-XXX) is only intended to be used with the Ideal Hot Water Tank (IHWT-D) and Ideal Water Filter, to be installed together.**

## IDEAL HOT & COLD TAP

1. Never use teflon tape for out-of-the-wall threaded connections. Use provided rubber gaskets only. Not complying with this instruction could damage the product and create leakage.
2. Observe all local plumbing codes.
3. Turn off water supply.
4. Inspect water supplies for signs of damage. Replace if necessary.
5. DO NOT use petroleum based products on this faucet.

## IDEAL HOT WATER TANK

1. Do not plug in the Ideal Hot Water Tank until it is filled with filtered water. Heating the Tank while empty could damage the unit.
2. Make sure all electrical wiring, connections and water connections conform to local codes.
3. The cord/plug supplied with the Tank must be connected to the power outlet.
4. A standard 110V electrical outlet is required under The Galley to power the Tank and must supply power **CONTINUOUSLY** to the Tank.
5. The Digital Instant Hot Water Tank is a non-pressurized, open vented system with a built-in pressure regulator valve (PRV) that limits operating pressure to 60 psi.
6. The Galley Ideal Hot & Cold Tap is intended for residential use only.
7. Make sure the Hot & Cold Tap and the Hot Water Tank are connected to a certified, (NSF/ANSI 42 and 53), high flow water filtration unit.
8. In order to properly connect the Hot & Cold Tap and the Hot Water Tank, included adapters **MUST** be used.

## TECHNICAL INFORMATION

Recommended Pressure Range: 20PSI - 75PSI  
PSI from Ideal Hot Tank 43.5  
Maximum Flow Rate: 1.8GPM / 6.8L /min  
Maximum IHT/Hot Tank Temperature: 208° F  
Rated Pressure and Temperature: 125 PSI (8.3 bar) at 208°F (98°C).

## Tools Needed



PHILLIPS SCREWDRIVER



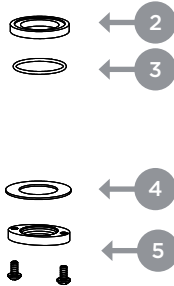
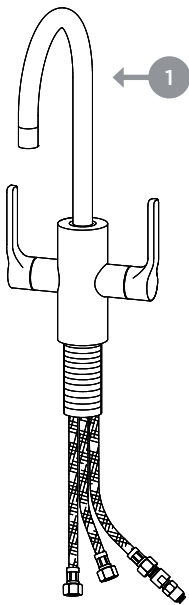
ADJUSTABLE WRENCH



ADJUSTABLE PLIERS

## Package Contents

### IDEAL HOT & COLD TAP

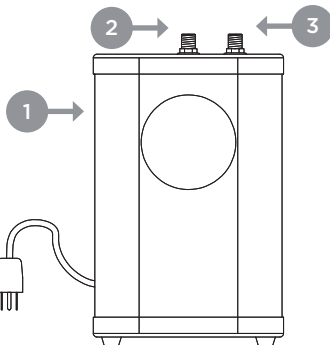


Remove all contents from the package and identify components before installation.

- 1 - Hot & Cold Tap
- 2 - Optional Base Ring
- 3 - O-Ring Gasket
- 4 - Mounting Washer
- 5 - Mounting Nut with Two Phillips Screws

*Note: All Hoses come pre-installed into Tap and are water tested at the factory.*

### IDEAL HOT WATER TANK™



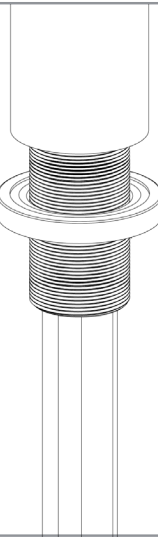
- 1 - Hot Tank
- 2 - 3/8" x 5/16" Red hot water outlet
- 3 - 3/8" x 1/4" Blue cold water inlet
- 4 - Adapters
- 5 - Silicone Washers
- 6 - Spare Silicone Washer

# Installation

## Step 1

The Galley Hot & Cold Tap comes with an Optional Base Ring. It can be installed with or without the Base Ring.

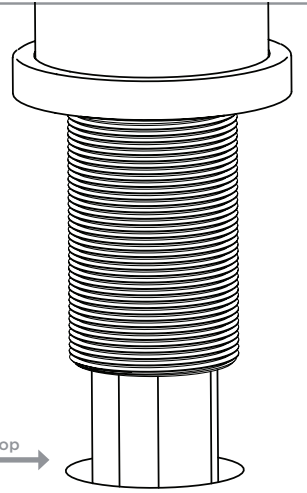
Optional Base Ring  
Mounting Shank



## Step 2

Insert all hoses and Mounting Shank through the hole in counter top.

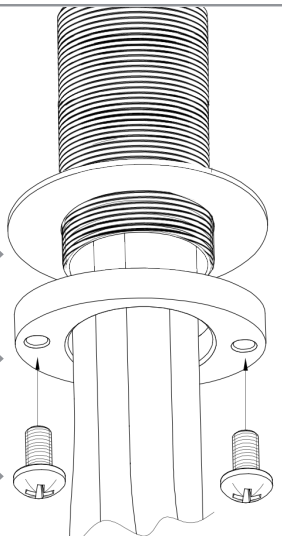
Ø 1-3/8" drill hole in counter top  
Ø 1-1/2" fast water jet hole in counter top



## Step 3

On the underside of the counter top, install the stainless steel Washer and Mounting Nut by slipping them over the hoses and threading the nut onto the Mounting Shank. Tighten the Mounting Nut against the counter top and tighten the two screws so the faucet is secure.

Washer  
Mounting Nut  
Phillips Screws

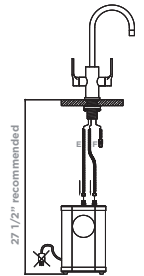


## Step 4

**Δ DO NOT PLUG THE HOT TANK IN YET!**

**Floor-Mount:** Find a location under the Workstation that has access to an electrical outlet and is close enough to connect the faucet lines without kinking them. For the Tank to operate properly, it cannot be installed beyond the reach of the manufacturer-provided electrical cord. Leave 2" clearance around the Tank for air flow. **Tank must be level.**

**Cabinet-Side Mount:** If mounting on side of cabinet, install 2 screws into cabinet side that align with the mounting holes on the back of the Tank. Leave 2" clearance around Tank for air flow.



**Connecting Hot & Cold Tap to the Hot Tank:**

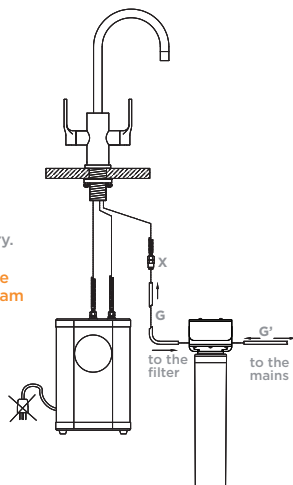
1. The two adapters and the Red flexible hose (E) connection will need to have silicone washers in place.
2. Insert one silicone washer into each adapter. Connect adapters to the Red outlet and Blue inlet. Make sure the connections are secure with adjustable pliers. Do not overtighten.
3. Insert one silicone washer into the Red flexible hose connection. Connect Red flexible hose to the Red hot water outlet on top of the Tank. Make sure the connections are secure with adjustable pliers. Do not overtighten.
4. Connect Blue flexible hose (F) connection to the Blue cold water inlet on top of the Tank. Washer is built into the hose connection. No additional washer is needed. Make sure the connections are secure with adjustable pliers. Do not overtighten.

## Step 5

**Connecting to the Filter and the Supply:**

1. Connect tube (G) to quick-push connector (X) and the filter.
2. Connect tube (G') to the filter and cold water supply.
3. Tighten connections with adjustable pliers. Once all connections have been made properly, turn on water supply lines.
4. Check for possible leaks. Tighten connections if necessary.

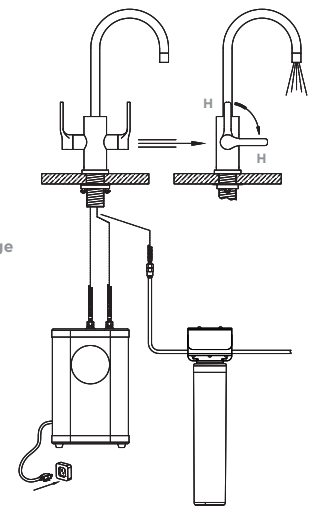
**Note:** If connecting the filter to the main Galley Tap as well, see Diagram on page 4.



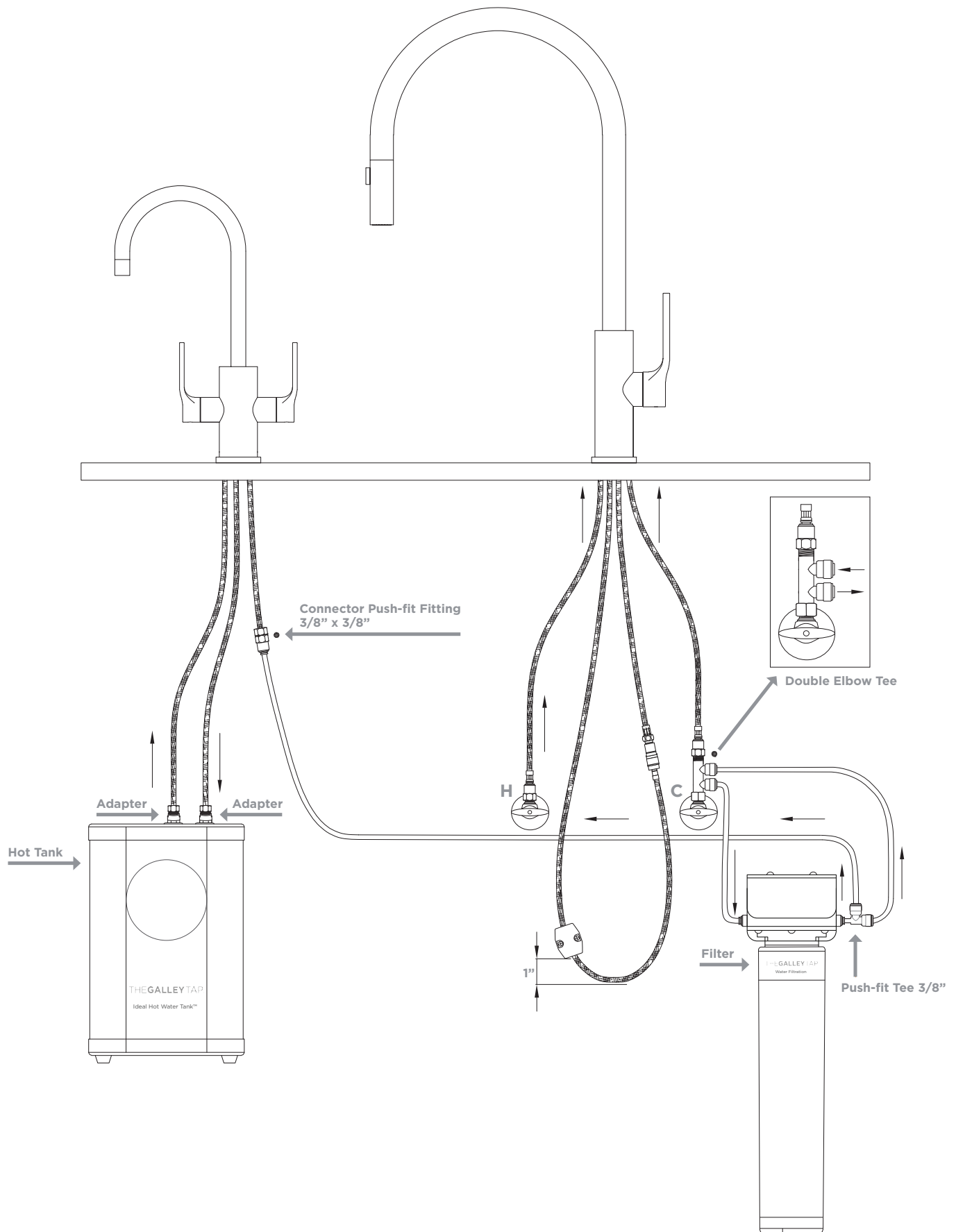
## Step 6

**Connecting Hot Tank to Electric Supply:**

1. Upon completing water connections, pull forward hot water handle (H).
  2. Wait until water is running out of the spout.
  3. **ONLY AT THIS POINT AND NOT BEFORE, PLUG IN HOT TANK TO THE OUTLET.**
- Δ Warning:** Failure to follow these instructions could damage the unit and void the warranty.



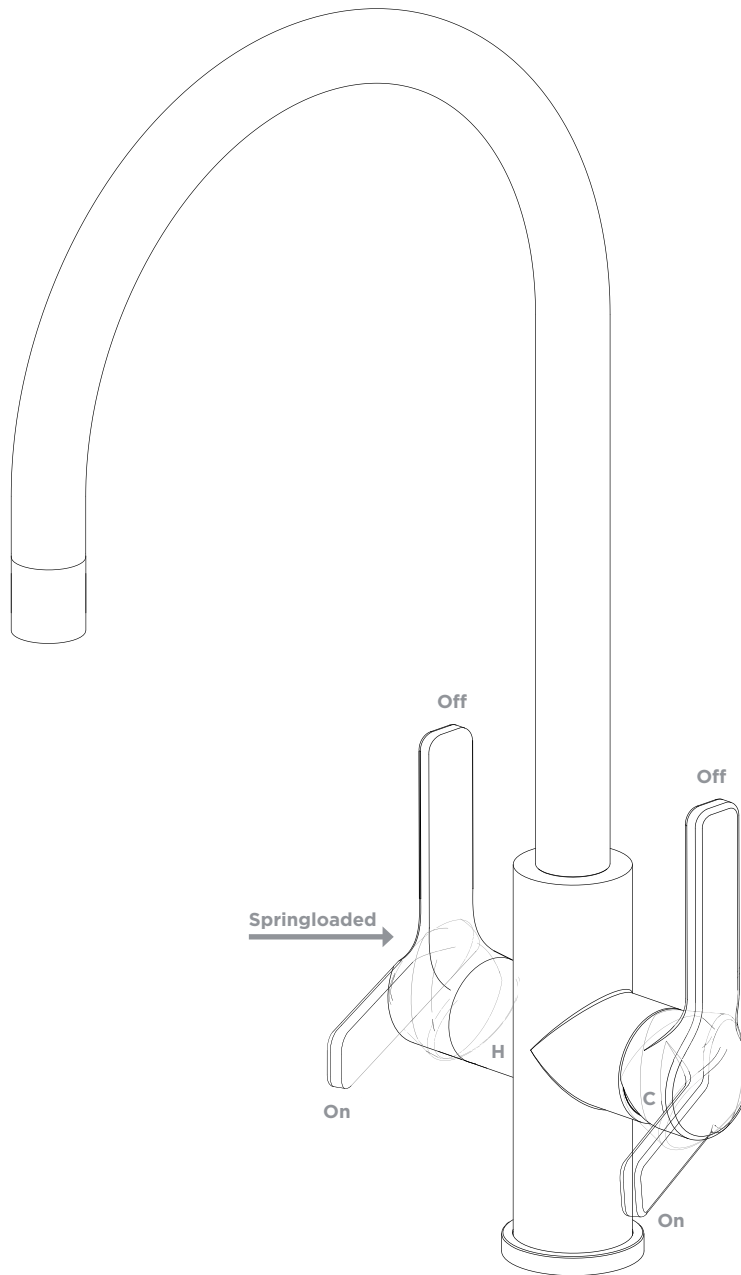
# Connecting Water Filtration to The Ideal Hot & Cold Tap, The Ideal Hot Water Tank™ and The Galley Tap



# Ideal Hot & Cold Tap User Guide

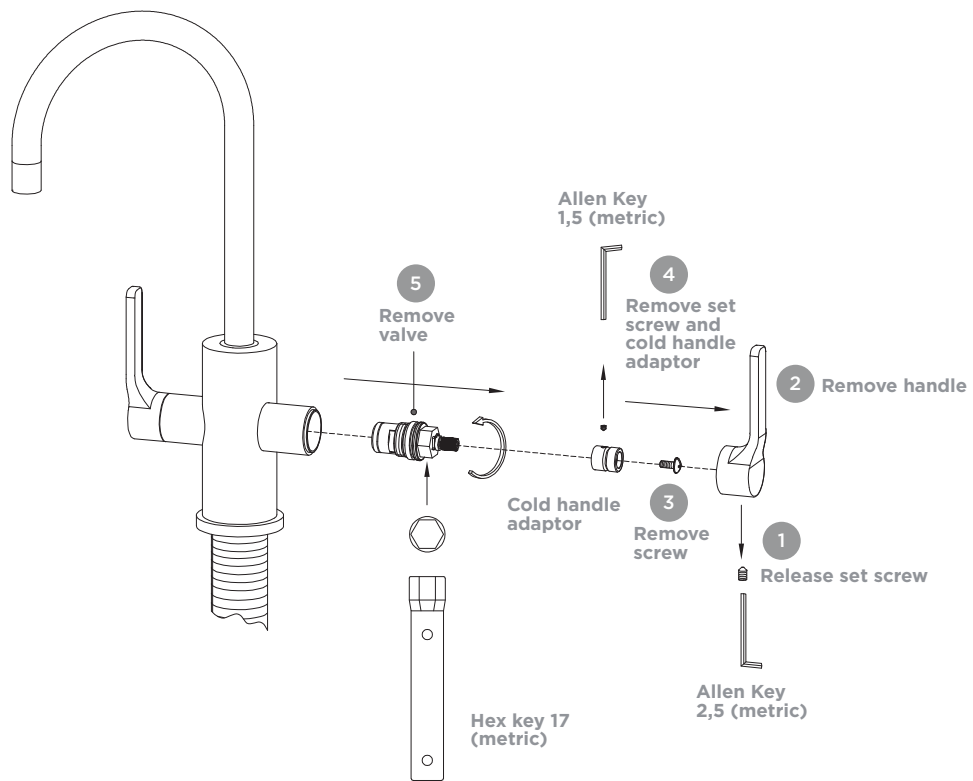
## OPERATING THE HOT & COLD TAP:

- Tap turns on by tilting COMFORTFEEL™ lever handles forward
- Hot side lever is spring loaded for automatic shutoff. Water flow can be controlled with the Hot & Cold levers. Always begin with slightly pulling down the lever until desired water flow is achieved.
- Do NOT let children operate — Hot water can cause severe burns.

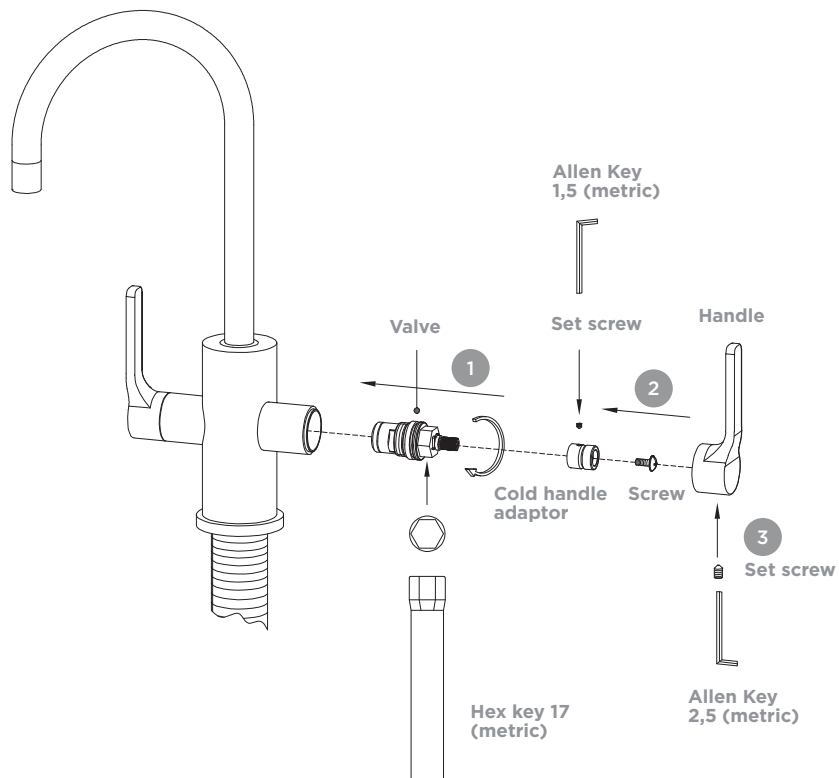


# Maintenance

## 1 Replacing the Right Valve

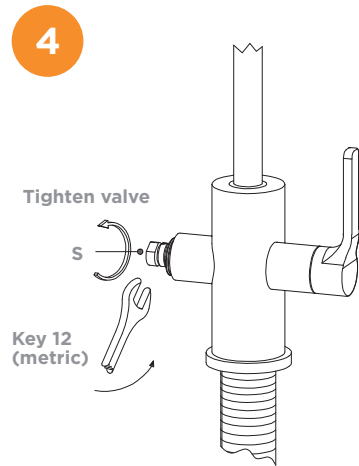
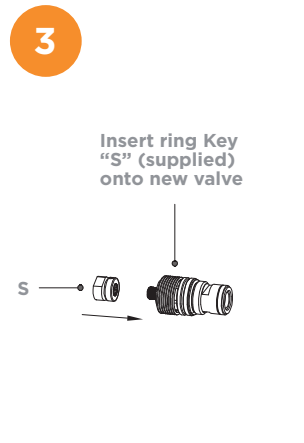
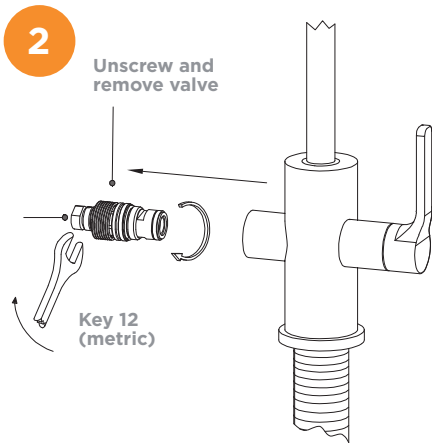
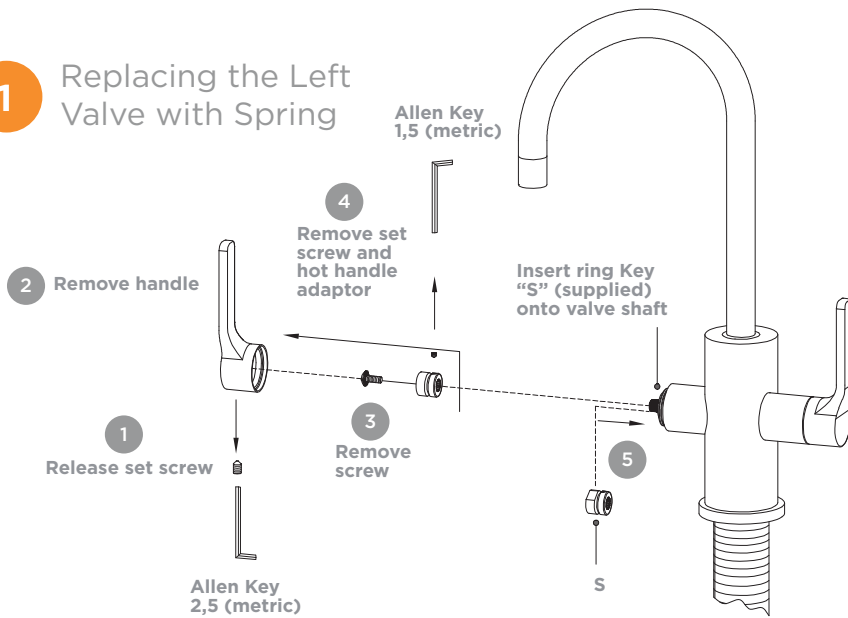


## 2 Reassembly

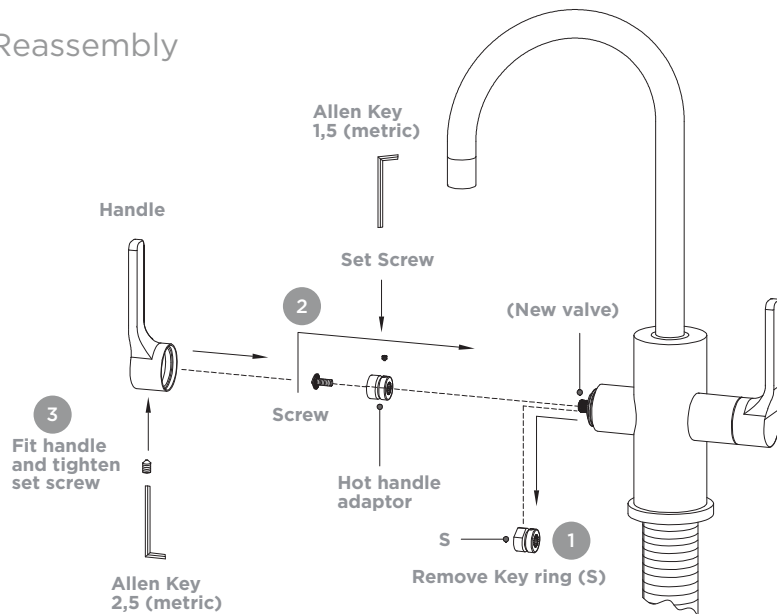


# Maintenance

## 1 Replacing the Left Valve with Spring



## 5 Reassembly





# Care and Cleaning the Tap Finishes

## ABOUT OUR FINISHES:

The Galley Ideal Hot & Cold Tap is made of solid stainless steel. This material has NO PROTECTIVE COATING on it. Stainless steel is by its material nature very tarnish-resistant, but by no means tarnish or stain proof. This finish will react to its environment over time. Cleaners that contain bleach may cause rust. Keep your Galley Hot & Cold Tap wiped clean and dry, and use only a cleaner specifically made for stainless steel. Trapped moisture on the surface of your finish can lead to staining. Abrasive cleaners, chlorine, bleach, and acidic-based organic cleansers are potentially harmful to stainless steel finishes.

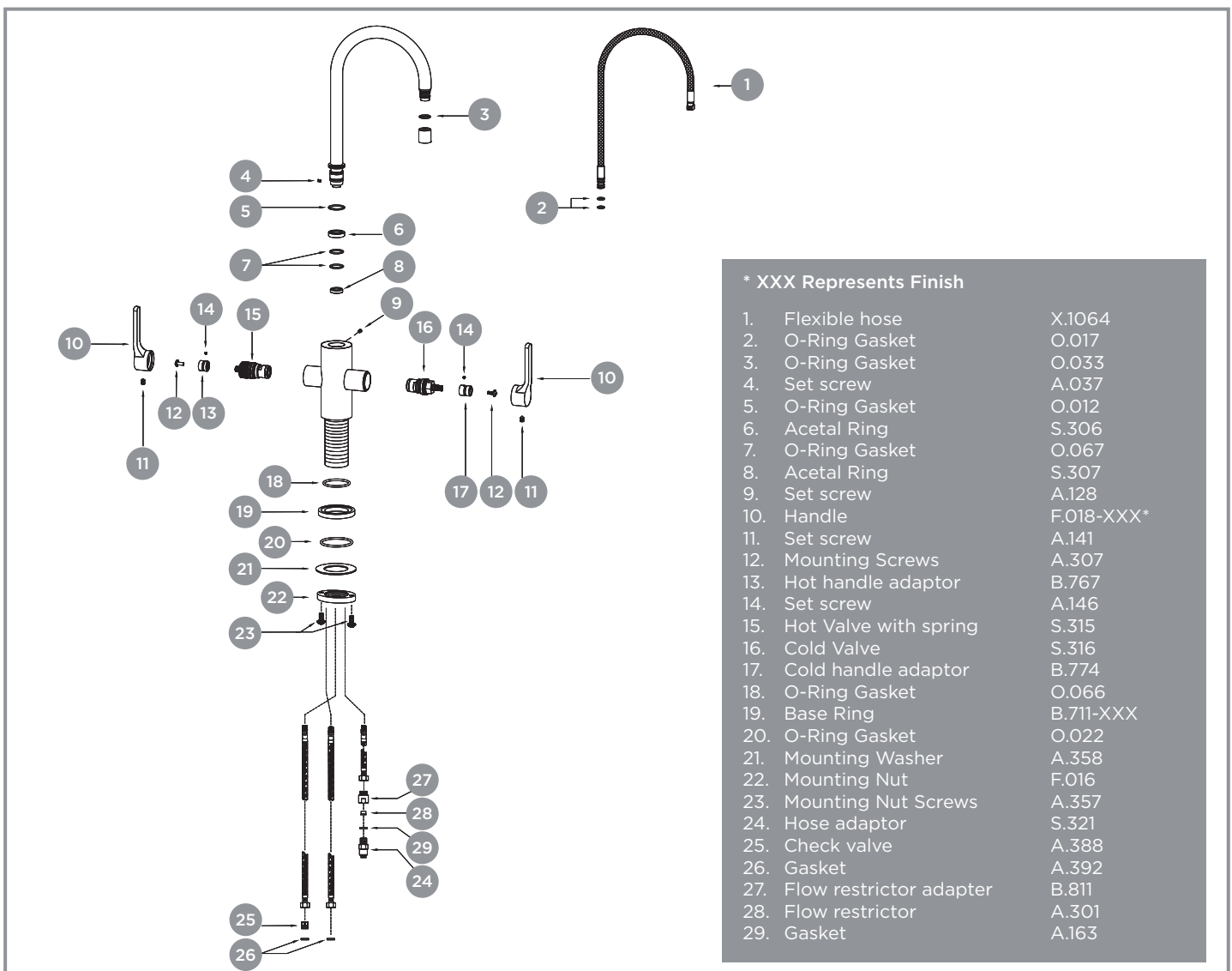
## IMPORTANT NOTICE:

It is the responsibility of the customer to check for any material finish defects BEFORE installation.

## SUGGESTED FINISH MAINTENANCE PROCEDURE:

1. Do not allow water spots to dry on the fixture. Keep the surface clean and dry after use.
2. Periodic cleaning can be done by applying a stainless steel cleaner with a soft, clean cloth to gently remove surface spots and brighten the finish. For PVD finishes, clean with a soft, warm, damp cloth.
3. Never use cleaners with bleach, abrasives or vinegar. Never use any type of abrasive cleaning pad.

# Replacement Parts

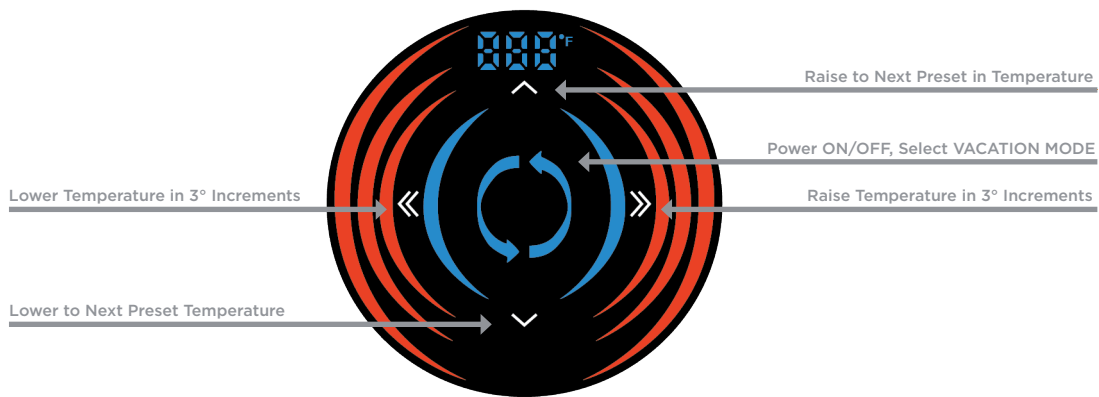


# Ideal Hot Water Tank™ User Guide

## OPERATING THE IDEAL HOT WATER TANK

### REMEMBER TO PLUG THE TANK IN AFTER THE UNIT IS COMPLETELY FILLED WITH WATER

1. To power ON/OFF or to select VACATION MODE, simply press and hold center button for 3 seconds.
2. When the Tank is in heating mode, there will be a sequence of red/blue rings illuminating individually to indicate the Tank is actively heating.
3. Once the desired temperature is reached, the dial's red/blue rings will become static.
4. When the Ideal Hot Water Tank is empty and is powered ON, the unit will automatically sense the situation. The heating element will not engage and an E3 Error Code will be on the display panel, indicating a "lack of water".
5. When "lack of water" E3 Error Code is displayed, the dry-burn protection sensor has automatically been activated.
6. When "lack of water" E3 Error Code is displayed, UNPLUG the unit. Repeat Step 6 of the installation to properly fill the Tank. When the unit is plugged in again, the E3 Error Code should be gone and the red/blue rings should illuminate individually.



## TEMPERATURE ADJUSTMENT

The Ideal Hot Water Tank has been set for optimum performance in most common situations. However, there are factors which may influence the performance of the Tank, such as incoming water temperature, atmospheric pressure, and altitude.

Water boils at sea level at 212°F. Check the elevation of your location. With each 500 feet of increased elevation above sea level, the boiling point of water is lowered by about 1°F. The Ideal Hot Water Tank temperature can and should be adjusted for your specific location. The recommended temperatures below are for sea level and should be adjusted based on your particular elevation.

The Ideal Hot Water Tank has seven preset commonly used temperatures:

167°F | 176°F | 185°F | 194°F | 203°F | 206°F | 208°F

### COFFEE

194° - 206°F

### TEA

167° - 194°F

Ideal Temperature varies by type of tea

### SOUP

176° - 194°F

*Note: Care should always be used when consuming hot liquid.*

# Safety Instructions - Please Read All Instructions Carefully

*These instructions are only intended as a guide. If there is any doubt about installation, please contact a licensed/certified plumber and/or electrician.*

## IMPORTANT INFORMATION

This Hot Water Tank produces instant hot water of up to approximately 208°F (98°C) ±5° as dispensed from the Tap. This product is not intended to produce a continuous flow of hot water. This model will produce up to 60 cups of water per hour at approximately 208°F (98°C) ±5°. Due to high water temperature, for safety reasons, the tank is not under pressure. Consequently, there is a slight delay of water flow after the Tap has been turned on. This is normal and indicates that the priming chamber is functioning properly.

## GENERAL SAFETY INSTRUCTIONS

1. ENSURE THE IDEAL HOT WATER TANK™ IS **NOT** CONNECTED TO ELECTRIC POWER DURING THE INSTALLATION.
2. Place the Ideal Hot Water Tank in position, check and ensure that the Hot & Cold Tap hoses and the power cord to the electrical outlet will reach without being stretched.
3. The Ideal Hot Water Tank must be mounted vertically and level.
4. The Ideal Hot Water Tank must be positioned so the hoses to and from the Hot & Cold Tap do not twist or kink.
5. Do not modify this system in any way. Use only the parts provided.
6. Do not attempt to service this product. Contact a certified repair person for repairs or replacement components.
7. Do not operate any appliance with a damaged cord, plug, or after the appliance malfunctions.
8. Do not place cord in water or other liquid as electrical shock may occur.
9. **DO NOT LET CHILDREN OPERATE. HOT WATER CAN CAUSE SEVERE BURNS.**
10. The unit should be periodically inspected for any signs of leakage. Immediately remove from service if the unit is suspected of leaking.
11. DO NOT install the Ideal Hot Water Tank outdoors or in a location where the temperature may fall below 32°F.
12. The installation environment should be ventilated, with protection from direct sunlight, in a humidity range of 10-70%.

## ELECTRICAL SAFETY INSTRUCTIONS

1. Using an ungrounded or improperly connected appliance can result in serious injury or death from electrical shock.
2. This Hot Water Tank is equipped with a cord that has a grounding conductor and a grounding pin (3 prong). The plug must be connected to an appropriate outlet that is properly installed and grounded in accordance with all local codes and ordinances. Do not modify the plug provided with the appliance. If it will not fit the outlet, have a proper outlet installed by a qualified electrician. Check with a qualified electrician or serviceman if you are in doubt as to whether the Hot Water Tank is properly grounded.
3. It is recommended that a separate circuit serving only the Ideal Hot Water Tank be provided OR use an outlet that provides an UNINTERRUPTED power source.

## PLUMBING SAFETY INSTRUCTIONS

1. If local codes permit, the Hot & Cold Tap hoses should be connected to hot and cold water supply lines using shut-off valves.
2. The use of filtered, clean water with impurities removed is advised. Install with a certified, (NSF/ANSI 42 and 53), high flow water filtration unit. See Diagram on page 4.
3. Connecting a standard, pressurized faucet may cause injury and will damage the electronic components of the Ideal Hot Water Tank and void the 5-year warranty.

# Troubleshooting the Ideal Hot Water Tank™

PROBLEM	POSSIBLE CAUSE	WHAT TO DO
Water is not hot	<ul style="list-style-type: none"> <li>• The unit is not turned on</li> <li>• The unit is unplugged</li> <li>• The electric outlet is inoperative</li> <li>• The unit is in Vacation Mode</li> </ul>	<ul style="list-style-type: none"> <li>• Make sure the unit is connected to a properly grounded electric outlet</li> <li>• Make sure the circuit breaker or fuses are functioning properly</li> <li>• Check that the outlet is not switched off</li> <li>• De-select Vacation Mode</li> <li>• Turn unit on by pressing and holding the center button for 3 seconds</li> </ul>
Water and steam spits forcefully from spout without turning on the Tap	<ul style="list-style-type: none"> <li>• Unit is heating up</li> </ul> <p><i>May be normal during initial setup</i></p>	<ul style="list-style-type: none"> <li>• Activate Tap lever to release some water from the Tank</li> <li>• Adjust water temperature using dial on Tank front</li> </ul> <p><i>Remember that at higher altitudes, water boils at lower temperatures</i></p>
Water is too hot or not hot enough	<ul style="list-style-type: none"> <li>• Thermostat is not adjusted according to your preferences</li> </ul>	<ul style="list-style-type: none"> <li>• Adjust the thermostat slowly as is outlined in the User Guide. Allow 8-10 minutes for water to reach new temperature</li> </ul>
Water has an odor or doesn't taste right	<ul style="list-style-type: none"> <li>• The unit is being supplied with un-filtered water</li> </ul>	<ul style="list-style-type: none"> <li>• Add a certified, (NSF/ANSI 42 and 53), high flow water filtration unit</li> </ul>
Water does not flow right away or at all	<ul style="list-style-type: none"> <li>• Due to high temperature and for safety reasons, the Tank is not under pressure, causing a slight delay in water flow</li> </ul>	<ul style="list-style-type: none"> <li>• Make sure all valves on water supply are open</li> <li>• Check hose from faucet for twisting or tight bending</li> </ul>
Water boils or vapor appears	<ul style="list-style-type: none"> <li>• The thermostat may be set too high</li> </ul>	<ul style="list-style-type: none"> <li>• Lower temperature setting by pressing the &lt;&lt; (left) arrows on the unit until a lower temperature is achieved</li> </ul>
Hot Water drips or sputters from Tap	<ul style="list-style-type: none"> <li>• The thermostat may be set too high</li> <li>• Can be caused by high altitude use</li> </ul>	<ul style="list-style-type: none"> <li>• Lower temperature setting by pressing the &lt;&lt; (left) arrows on the unit until the desired temperature is achieved</li> </ul>
Tank is beeping and will not function/powers off	<ul style="list-style-type: none"> <li>• The unit is not getting sufficient power and GFCI plug needs reset</li> </ul>	<ul style="list-style-type: none"> <li>• Find and push the "Reset" button on the GFCI plug (If "Reset" button does not click and stay in place, GFCI plug may be faulty)</li> </ul>

For any other questions, refer to [thegalley.com](http://thegalley.com) or call Galley Customer Service at 800.375.4255

# The Galley Tap - Limited Lifetime Warranty

## 1. GALLEY TAP LIMITED LIFETIME MECHANICAL WARRANTY —

Seller provides a Limited Lifetime Mechanical Warranty. Seller warrants its products, installed in a residential application, to be free from manufacturing defects in materials and workmanship under normal usage for the useful life of the product. This Limited Lifetime Mechanical Warranty is subject to the warranty conditions and limitations as set forth below.

## 2. GALLEY TAP LIMITED LIFETIME FINISH WARRANTY —

Seller provides a Limited Lifetime Finish Warranty. For the following Finishes: Polished Stainless Steel, Matte Stainless Steel, PVD Satin Black Stainless Steel, PVD Gun Metal Gray™ Stainless Steel, PVD Polished Rose Gold Stainless Steel and PVD Brushed Gold Stainless Steel, seller warrants its finishes, installed in a residential application, to be free from manufacturing defects in materials or workmanship for the useful life of the product. Please refer to the Seller's Care Instructions for the proper maintenance of Seller's finishes. This Limited Lifetime Finish Warranty is subject to the warranty conditions and limitations as set forth below.

## 3. GALLEY IDEAL HOT WATER TANK FIVE (5) YEAR LIMITED MECHANICAL WARRANTY —

Seller provides a Limited Mechanical Warranty. Seller warrants its Ideal Hot Water Tank, installed in a residential application using our installation instructions to be free from manufacturing defects in materials and workmanship under normal usage for a period of five (5) years from the date of purchase. Seller strongly recommends that a certified high flow water filtration unit be installed with the Hot Water Tank as unfiltered water with impurities can clog the dispenser and void the warranty. This Limited Mechanical Warranty is subject to the warranty conditions and limitations as set forth below.

## 4. WARRANTY CONDITIONS AND LIMITATIONS —

Seller's Mechanical and Finish warranties are non-transferable and are strictly limited to products correctly installed using our installation instructions and used in a residential environment. Using a different Hot Tank with The Galley Hot & Cold Tap other than the Galley Ideal Hot Water Tank will void this warranty. Mechanical or finish problems which result from abuse, misuse, improper installation, improper maintenance, (including not properly winterizing the Tap in outdoor installations), improper cleaning, proximity to bodies of saltwater, or accidental damage such as scuffs and scratches are not covered by this warranty. Seller does not assume liability for labor charges, removal and reinstallation expenses, freight or postage charges, or injuries resulting from a defective product. This warranty does not allow recovery of incidental or consequential damages such as loss of use, property damage, or any other consequential damage and Seller accepts no liability for such damage. Seller does not assume any responsibility other than to repair or replace the defective part(s) after Seller, upon its examination, has determined the product to be defective and the defective part(s) are covered by the Limited Lifetime Warranty and Limited Warranty expressed in this warranty. Whether to repair or replace the product shall be at the sole election of the Seller. In no event shall the liability of The Galley exceed the purchase price of the Tap or Hot Water Tank. The use of Plumber's Putty will void this warranty. A non-corrosive epoxy silicone sealing compound may be used. Seller hereby disclaims all other warranties, expressed or implied, other than those set forth in this warranty. Some states do not allow the exclusion or limitation of incidental or consequential damages, so the above limitation or exclusion may not apply to you. This warranty gives you specific legal rights and you may also have other rights which vary from state to state.

## 5. WARRANTY CLAIMS —

These warranties are in effect for Seller's Products purchased on January 1st, 2019 and thereafter. For warranty claims, please contact your Galley Dealer, or you may write to:

**The Galley, LLC.  
Attn: Warranty Claims  
12626 South Memorial Drive  
Bixby, OK 74008**

*Please include the original receipt with a description of the problem, model number, store, date of purchase, your name, address and telephone number.*



**Corporate Headquarters**

The Galley, LLC.  
12626 South Memorial Drive  
Bixby, OK 74008  
800.375.4255  
thegalley.com