

INSTALLATION INSTRUCTIONS

Model # 9314

READ AND SAVE THESE INSTRUCTIONS

WARNING! SHUT POWER OFF AT FUSE OR CIRCUIT BREAKER.

AVERTISSEMENT! COUPER LE COURANT AU NIVEAU DES FUSIBLES OU DU DISJONCTEUR.

PREPARING FOR INSTALLATION (Fig.1)

1. Shut off the power at the fuse box or circuit breaker box (avertissement! couper le courant au niveau des fusibles ou du disjoncteur) and remove the old fixture, including the mounting hardware.
2. Thread nipple (G) into loop (C) until snug.
3. Thread other end of nipple (G) into the crossbar (F) until snug and secure with I hex nut (E). Note the length of nipple (G) into crossbar (F) may be adjusted. Make sure "GND" facing outside.
4. Attach the crossbar assembly to the ceiling outlet box(P)(not included) with screws (B). "GND" must face out.

HANGING THE FIXTURE (Fig.1)

5. Determine the desired hanging height and remove the excess chain with proper chain(D) pliers to avoid damaging the finish.
6. Open one end of the chain(D) and connect it to the fixture loop (J) and close the link. Thread the wire carefully through the chain links.
7. Place lock ring (K) followed by canopy (H) over the chain and allow them to carefully rest on the fixture body.
8. Open the other end of the chain(D) and attach it to chain loop (C) and close the link.
9. Feed the wires through loop (C), and nipple (G).

CONNECTING THE WIRES (Fig.2)

10. Connect the electrical wires as shown in Fig. 2, making sure that all wire connectors are secured. If your outlet has a ground wire (green or bare copper), connect the fixture's ground wire to it. Otherwise, connect the fixture's ground wire directly to the crossbar using the green screw(A) provided. Tuck the wire connections neatly into the junction box.

FINISHING THE INSTALLATION (Fig. 1)

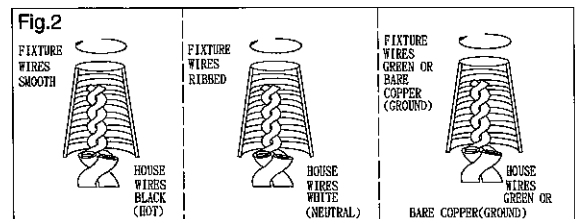
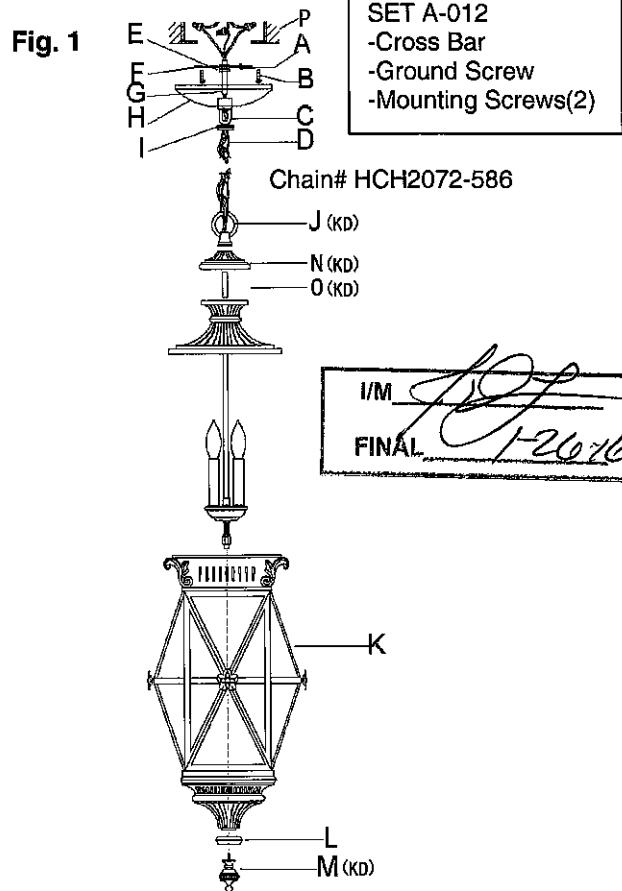
11. Raise the canopy (H) to the ceiling and secure with lock ring (I).
12. screw the nipple (O), Replace the cup(N) and secure with fixture loop (J).
13. At this point, unscrew finial (L), fixture cage (K), to install 4*40W/E12/B bulb (no bulb included) in accordance with the fixture specification. **DO NOT EXCEED THE MAXIMUM WATTAGE RATING!(NE PAS DEPASSER LA PUISSANCE NOMINALE MAXIMALE!)**
14. Replace the fixture cage (K), finial (L), and secure with finial (M).

Your installation is now complete. Return power to the junction box and test the fixture.

Note: Illustration (Fig. 1) on this manual is for installation purposes only. It may or may not be identical to the fixture purchased.

"CAUTION-RISK OF FIRE CONSULT A QUALIFIED ELECTRICIAN TO ENSURE CORRECT BRANCH CIRCUIT CONDUCTOR"

ATTENTION – RISQUE D'INCENDIE, CONSULTER UN ÉLECTRICIEN QUALIFIÉ POUR VOUS ASSURER QUE LES CONDUCTEURS DE LA DÉRIVATION SONT ADEQUATS.



Notice: It is important to use proper chain pliers (not included) to OPEN and CLOSE the chain included with this fixture. Do not open them with other tools that may twist or stress the chain links. It is important to use proper chain pliers like the ones shown in the diagram.

This product is protected by United States Federal and/or State Law, including Patent and/or Copyright laws.
© Minka Lighting Inc.