

# INSTALLATION INSTRUCTIONS

For Outdoor Lantern(Rev. 10/30/2012)

**WARNING! SHUT POWER OFF AT FUSE OR CIRCUIT BREAKER.**

**AVERTISSEMENT! COUPER LE COURANT AU NIVEAU DES FUSIBLES OU DU DISJONCTEUR.**

1. Shut off power at the circuit breaker and remove old fixture including mounting hardware.
2. Carefully unpack your new fixture and lay out all the parts on a clear area. Take care not to misplace any small part necessary for installation.
3. Pull black, and white wires out of electrical outlet box.
4. Mount circular strap to outlet box(Fig.1)
5. Connect electrical wires as shown making sure all wire connectors are secured. If your outlet has a ground wire (green or bare copper), connect the fixture ground wire to it. If not, connect the fixture ground wire to the green screw on circular strap. After wires are connected, tuck them carefully inside junction box. (Fig.2)
6. To prevent moisture from entering the outlet box and causing a short, use clear caulking (i.e. Indoor/Outdoor Silicone Sealant) to outline the outside of fixture back-plate where it meets the wall leaving a space at bottom to allow moisture a means to escape (Fig.3).
7. Align fixture to stud screws on circular strap and attach fixture with knurled knob.(Fig.1)
8. **NOTE:** Install the light bulbs in accordance with the fixture specification..(**DO NOT EXCEED MAXIMUM WATTAGE RATING!**). (**NE PAS DEPASSER LA PUISSANCE NOMINALE MAXIMALE!**)

Your installation is now complete. Return power to the junction box and test the fixture.

**Note:** Illustration (Fig. 1) on this manual is for installation purposes only. It may or may not be identical to the fixture purchased.

Fig. 1

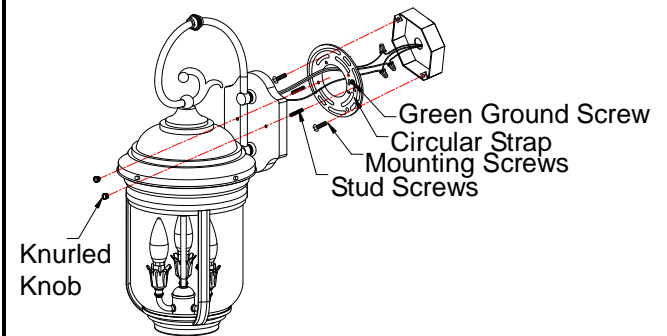


Fig. 2

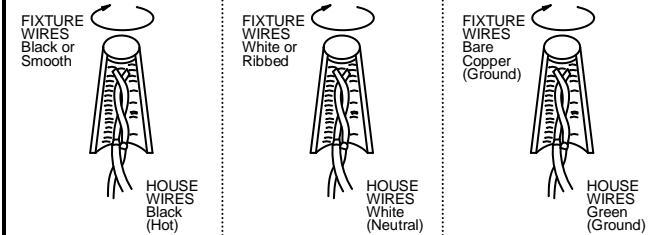
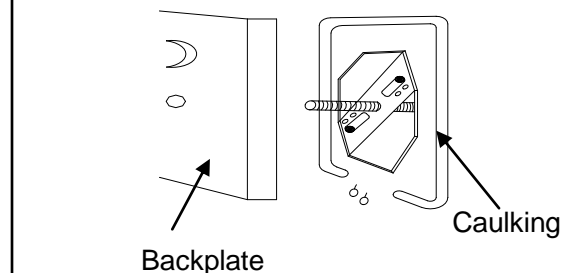


Fig.3



“U.S.Patent; **D436,208**

This product is protected by United States Federal and/or State Law, including Patent and/or Copyright laws.”

© 1998 Minka Lighting, Inc.

