

INSTALLATION INSTRUCTIONS

For Model 8164-L

WARNING! SHUT POWER OFF AT FUSE OR CIRCUIT BREAKER.

AVERTISSEMENT! COUPER LE COURANT AU NIVEAU DES FUSIBLES OU DU DISJONCTEUR.

HANGING THE FIXTURE (Fig. 1)

1. Shut off the power at the circuit breaker and remove the old fixture, including the mounting hardware. Carefully unpack your new fixture and lay out all the parts on a clear area. Take care not to lose any small parts necessary for installation.
2. Thread nipples (E) into loop (G) until snug.
3. Place lock washer (C) over nipple (E) protruding through crossbar (A) and secure with hex-nut (D). Align the crossbar assembly to the ceiling outlet box and secure with screws (B). The side of the crossbar marked "GND" must face out.
4. Use a pair of chain pliers to open one link of the chain and connect to fixture loop (I). Close the link. Determine the desired hanging height. Disconnect and discard the remaining chain.
5. Carefully pass the fixture wires through the chain. Slip loop collar (H) over the chain followed by canopy (F) and allow them to rest on the fixture top cover. Open the other end link of chain and hang the fixture onto loop (G). Close the link. Carefully pass the fixture wires through the loop (G) and nipple (E).
6. **CONNECTING THE WIRES (Fig. 2)**

At this point, connect the electrical wires as follow:

Connect the black wire from the fixture to the black (hot) wire.

Connect the white wire from the fixture to the white (neutral) wire.

Make sure all wire nuts are secured. Connections may be wrapped with electrical tape as necessary. If your outlet has a ground wire (green or bare copper), connect fixture's ground wire to it. Otherwise, connect fixture's ground wire directly to the crossbar using the green screw provided. Tuck the wire connections neatly into the ceiling junction box.

7. Align canopy (F) to loop (G) and secure with collar (H).
8. Bulb (L) information: (1 x AC LED 14W included.)

DO NOT EXCEED THE MAXIMUM WATTAGE RATING! (NE PAS DEPASSER LA PUISSANCE NOMINALE MAXIMALE!)

Replacing LED module (Fig. 3)

The LED module can be replaced by a qualified electrician without cutting of wire and without damage to any decorative element to which the fixture is attached. See installation steps for more details (Fig 4.)

- a. Shut off the power at the circuit breaker.
- b. Remove fixture body (J) by loosening screws (I) on top cover (G). Remove glass (K) by loosening screws (D) (Fig.1). Remove LED plate (P) by loosening screws (U).
- c. Remove connectors (O) and carefully remove LED module (T) by loosening screws (R). Note: The LED module should be provided by a specified supplier.
- d. For better heat dissipation the LED module (T) should be installed with the heat transfer material (V) when re-lamping.

Your installation is now complete. Return power to the junction box and test the fixture

Fig. 1

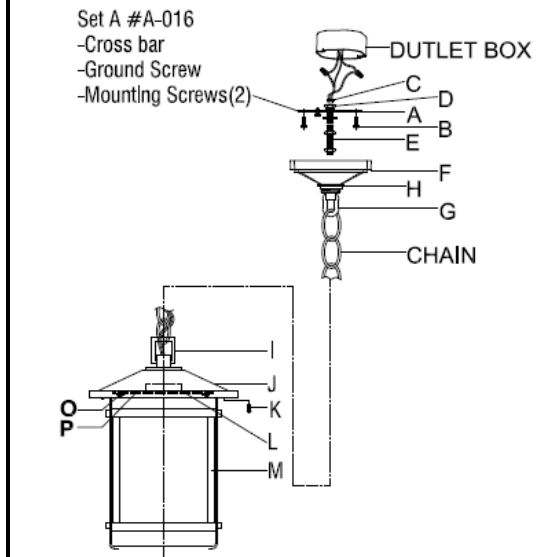


Fig. 2

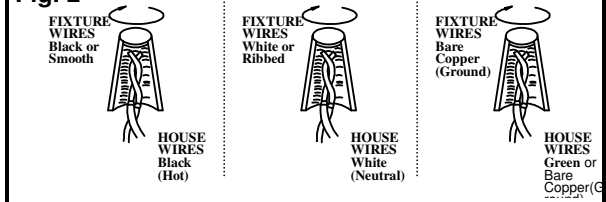
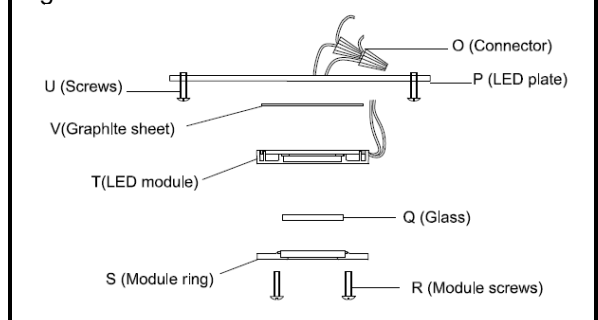


Fig. 3



Notice: It is important to use proper chain pliers (not included) To OPEN and CLOSE the chain included with this fixture. Do not open them with other tools that may twist or stress the chain links. It is important to use proper chain pliers like the ones shown in the diagram.

