

INSTALLATION INSTRUCTIONS

Model# 73249-748

READ AND SAVE THESE INSTRUCTIONS

WARNING! SHUT POWER OFF AT FUSE OR CIRCUIT BREAKER.

AVERTISSEMENT! COUPER LE COURANT AU NIVEAU DES FUSIBLES OU DU DISJONCTEUR.

PREPARING FOR INSTALLATION (Fig. 1)

1. Shut off power at the fuse box or circuit breaker box and remove the old fixture including the mounting hardware.
2. Carefully unpack your new fixture and lay out all the parts in a clear area. Take care not to misplace any small parts necessary for installation.
3. Thread all thread (M) into finial (J) until snug. Slide gasket (N), decorative part (Q&I) over all thread (M) and insert assembly into top cover (F).
4. Place washer (O) over all thread (M) and tighten with nut (P).
5. Pull black, white and ground wires out of base cup (D).

CONNECTING THE WIRES (Fig. 2)

6. Connect electrical wires while supporting the lantern with wire connectors (B). If your post (A) (not supplied) has a ground wire (green or bare copper), connect the fixture ground wire to it. If not, consult your electrician for proper grounding. After wires are connected, tuck them carefully inside the base cup (D).
7. Align base cup (D) with post (A) and secure with mounting screws (C). (Fig.1)
8. Install (4) four candelabra base bulbs (I) up to 60 Watts, or CFL or LED equivalent (not included), in accordance with the fixture specification. **(DO NOT EXCEED THE MAXIMUM WATTAGE RATING) (NE PAS DEPASSER LA PUISSANCE NOMINALE MAXIMALE!)**
9. Secure cover (F) to fixture frame (H) with screws (E) until tight.
10. This fixture is ETL listed for wet location applications.

Your installation is now complete. Return power to the outlet box and test the fixture.

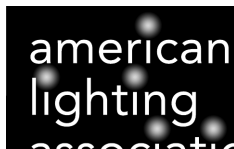


Fig. 1

Candle cover (4) (Part#CCV21079P-871)

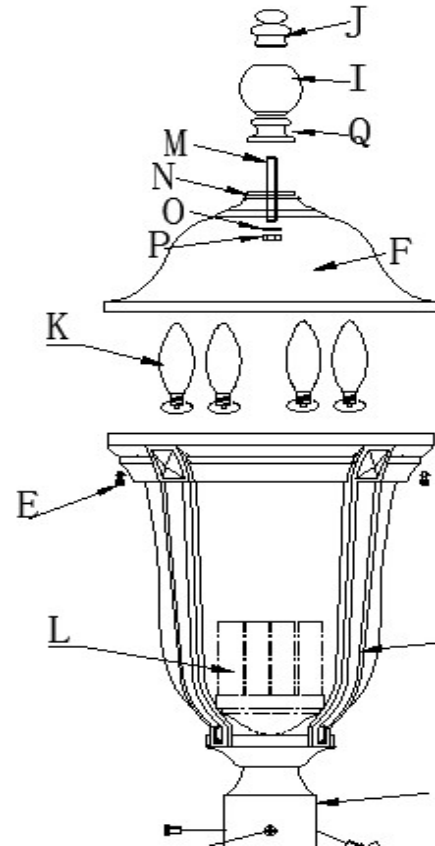
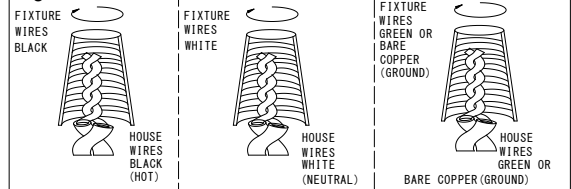


Fig.2



“CAUTION-RISK OF FIRE CONSULT A QUALIFIED ELECTRICIAN TO ENSURE CORRECT BRANCH CIRCUIT CONDUCTOR”

ATTENTION – RISQUE D’INCENDIE. CONSULTER UN ÉLECTRICIEN QUALIFIÉ POUR VOUS ASSURER QUE LES CONDUCTEURS DE LA DÉRIVATION SONT ADÉQUATS.