

## INSTALLATION INSTRUCTIONS

For Model 72172/72173/72178-189

READ AND SAVE THESE INSTRUCTIONS

**WARNING! SHUT POWER OFF AT FUSE OR CIRCUIT BREAKER.**

**AVERTISSEMENT! COUPER LE COURANT AU NIVEAU DES FUSIBLES OU DU DISJONCTEUR.**

### MOUNTING THE FIXTURE (Fig.1)

1. Shut off power at the circuit breaker and remove the old fixture, including the mounting hardware.
2. Carefully unpack your new fixture and lay out all the parts necessary for installation.
3. Attach the mounting plate(M) (Part#A-020) to the outlet box(not provided) with the two screws(C) (Size:8-32\*1/2").
4. Align the curved end of scroll arm (R) through the decorative ring (T), secure the other end to the backplate (U) with screw (Q) (Size:M4\*10) and hex nut and gasket washer (P).

### CONNECTING ELECTRICAL (Fig.2)

5. Connect the electrical wires as shown in (Fig.2), making sure that all wire connectors are secured. If your outlet has a ground wire (green or bare copper), connect the fixture ground wire to it. Otherwise, connect the fixture ground wire directly to the mounting plate using the green screw provided.
6. Align the fixture to the mounting screw(S) (Size:8-32\*1/2") on the mounting plate (M) and secure with knurled knobs (B) and washers(K)(Fig1).
7. To prevent moisture from entering the outlet box and causing a short, use clear caulking (i.e. Indoor/Outdoor Silicone Sealant) to outline the outside of fixture back-plate where it meets the wall leaving a space at bottom to allow moisture a means to escape (Fig3).

### COMPLETING THE INSTALLATION

8. Place candle sleeves (V) over the sockets (W).
9. Install 60W /type B bulbs (D) (not included) in accordance with the fixtures specification. **(DO NOT EXCEED THE MAXIMUM WATTAGE RATING!) (NE PAS DEPASSER LA PUISSANCE NOMINALE MAXIMALE!)**
10. Separate lamp body (O) from top cover (H) by unscrewing the mounting screws (G) ( Size: M4\*16). Align the glass (E) into body (O) and secure with glass clips (F).
11. Re-attach body (O) to the top cover (H) with mounting screws (G).

Your installation is now complete. Return power to the junction box and test the fixture.

**IMPORTANT: FIXTURE SHOULD BE INSTALLED BY A QUALIFIED ELECTRICIAN TO ENSURE PROPER WIRING AND INSTALLATION.**

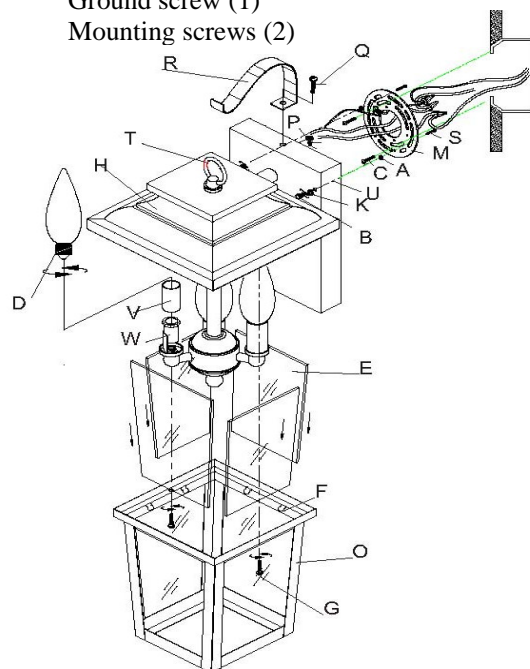
**ATTENTION - RISQUE D'INCENDIE. CONSULTER UN ÉLECTRICIEN QUALIFIÉ POUR VOUS ASSURER QUE LES CONDUCTEURS DE LA DÉRIVATION SONT ADÉQUATS.**

Fig.1 Part# A-020

Mounting plate (1)

Ground screw (1)

Mounting screws (2)



Candle Cover# [CCV21070P-189](#) for 72172

Candle Cover# [CCV21082P-189](#) for 72173

Candle Cover# [CCV21105P-189](#) for 72178

Fig. 2

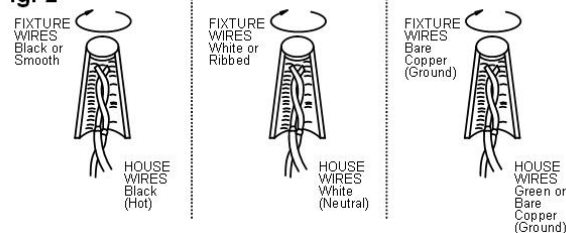
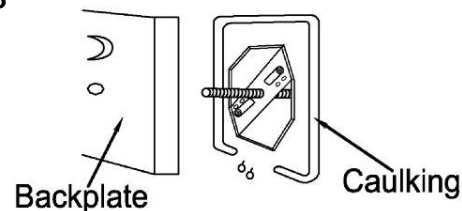


Fig.3



american  
lighting  
association