

INSTALLATION INSTRUCTIONS

Model # 71824-L

READ AND SAVE THESE INSTRUCTIONS

WARNING! SHUT POWER OFF AT FUSE OR CIRCUIT BREAKER.

AVERTISSEMENT! COUPER LE COURANT AU NIVEAU DES FUSIBLES OU DU DISJONCTEUR.

PREPARING FOR INSTALLATION (Fig.1)

1. Shut off the power at the circuit breaker and remove the old fixture including the mounting hardware.
2. Thread nipple (D) into loop (F) until snug.
3. Thread the other end of nipple (D) into the cross bar (B) until snug and secure with the lock washer and hex nut. Note the length of nipple (D) into cross bar (B) may be adjusted if necessary.
4. Attach the cross bar assembly to the ceiling outlet box with screws (C), the side of the crossbar marked "GND" must face out. Tighten screws securely with screwdriver.

HANGING THE FIXTURE (Fig.1)

5. Determine the desired hanging height and remove the excess chain with proper chain pliers to avoid damaging the finish.
6. Open one end of the chain and connect it to the fixture chain loop (I) and close the link. Thread the wire carefully through the chain links.
7. Place lock ring (G) followed by canopy (E) over the chain and allow them to carefully rest on the fixture body.
8. Open the other end of the chain and attach it to chain loop (F) and close the link.
9. Feed the wires through loop (F), and nipple (D).

CONNECTING THE WIRES (Fig.2)

10. Connect the electrical wires as shown in Fig. 2, making sure that all wire connectors are secured. If your outlet has a ground wire (green or bare copper), connect the fixture's ground wire to it. Otherwise, connect the fixture's ground wire directly to the crossbar using the green screw provided. Tuck the wire connections neatly into the junction box.

FINISHING THE INSTALLATION (Fig. 1)

11. Raise the canopy (E) to the ceiling and secure with lock ring (G).
12. Adjust the location of hex nut (K) on nipple (L) to leave suitable length for attachment of bottom cover (M) and finial (N).
13. Thread one end of nipple (L) into the extended nut (J). Align bottom cover (M) onto nipple (L) and secure with finial (N).
14. Bulb (W) information (1 x AC LED 14W included.) **(DO NOT EXCEED THE MAXIMUM WATTAGE RATING)**
(NE PAS DEPASSER LA PUISSANCE NOMINALE MAXIMALE!)

REPLACING LED MODULE (Fig.3)

The LED module can be replaced by a qualified electrician without cutting of wire and without damage to any decorative element to which the fixture is attached. See installation steps for more details (Fig.3).

- a. Shut off power. Support fixture cage (V) and unscrew screws (O) to separate cage (V) from top cover (P).
- b. Unplug the male and female jacket (Q&S). Remove aluminum panel (T) by loosening screws (R) from fixture cage (V).
- c. Loosen module screws (U) and carefully remove LED module (W) for re-lamping. Note: The LED module should be provided by a specified supplier.
- d. For better heat dissipation the LED module (W) should be installed with the heat transfer material (X) when re-lamping.

Your installation is now complete. Return power to the junction box and test the fixture.

Note: Illustration (Fig. 1) on this manual is for installation purposes only. It may or may not be identical to the fixture purchased.

Fig. 1

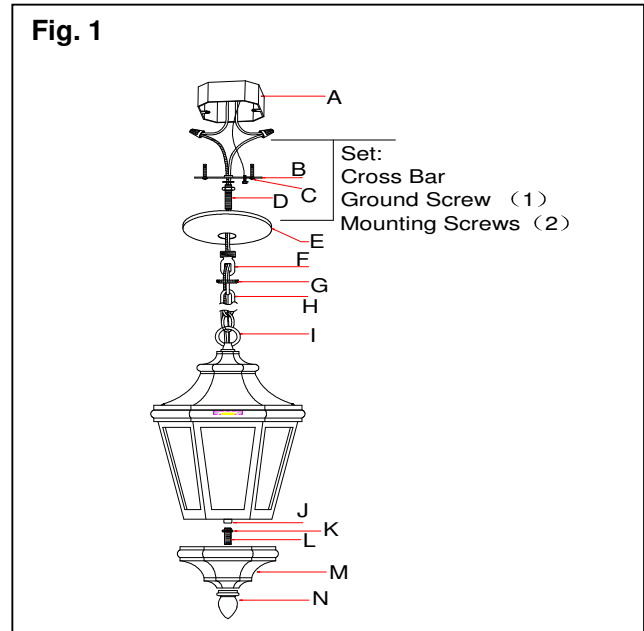


Fig.2

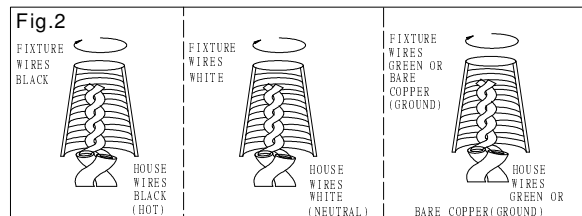
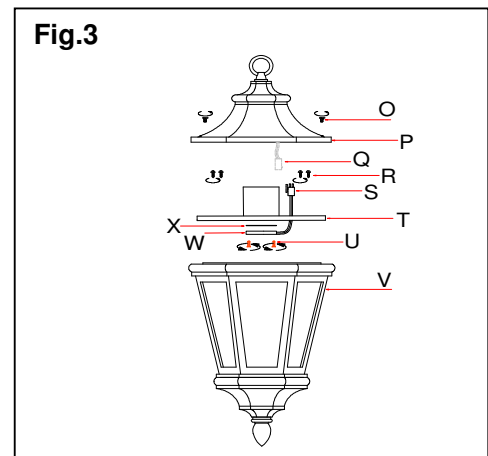


Fig.3



Notice: It is important to use proper chain pliers (not included) To OPEN and CLOSE the chain included with this fixture. Do not open them with other tools that may twist or stress the chain links. It is important to use proper chain pliers like the ones shown in the diagram.