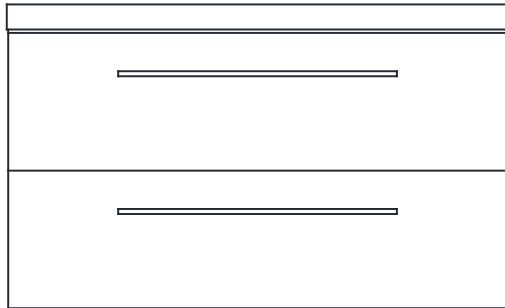


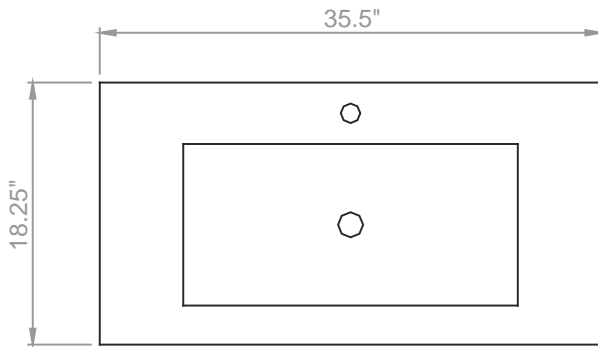
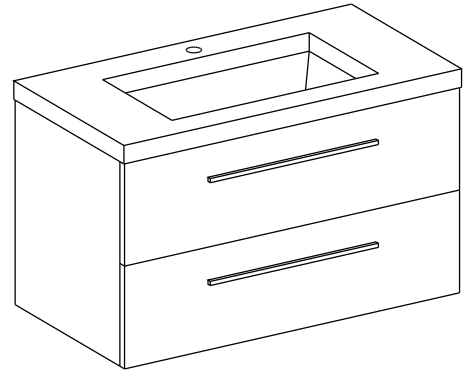
# Atom 36" Wall-hung vanity



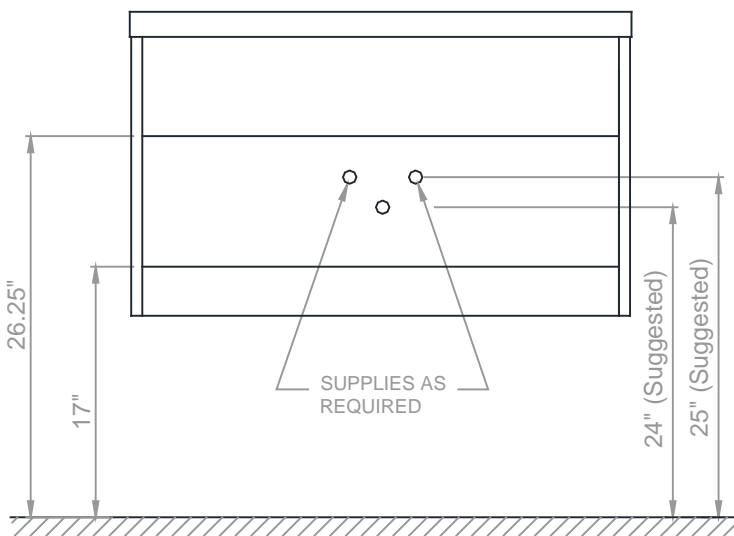
Model(s): a-36X



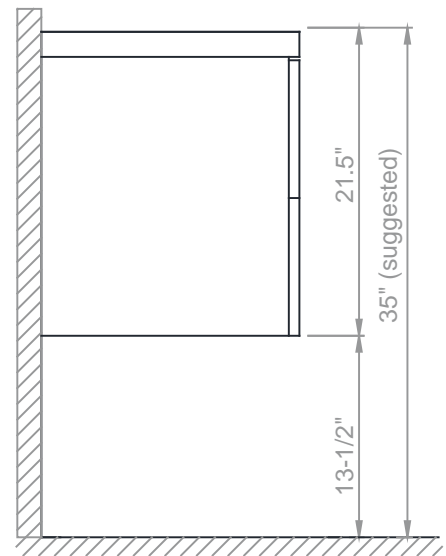
FRONT



TOP



REAR



SIDE

Important Note: Dimensions supplied are nominal and may vary within tolerances. These measurements are subject to change or cancellation. No responsibility is assumed for use of superseded or voided pages.