

FEATURES

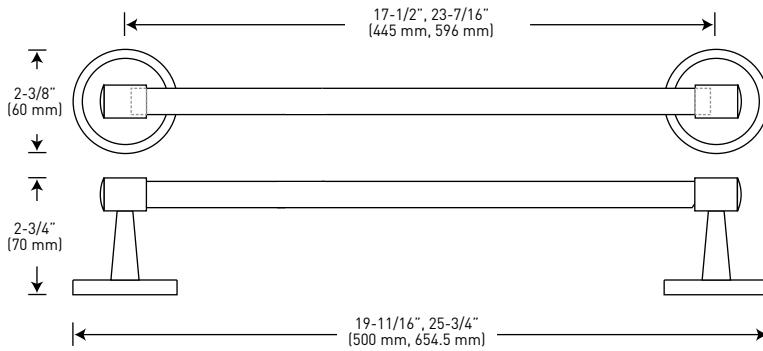
- › APPLICATION: SINGLE-FAMILY RESIDENTIAL BUILDINGS, MULTI-FAMILY RESIDENTIAL BUILDINGS
- › INCLUDES SOLID ZINC DIE CAST MOUNTING PLATES: 1-13/16" x 1-3/16" [46 mm x 30 mm]; NYLON ANCHORS AND STEEL PHILLIPS HEAD SCREWS: #8 x 1-1/4" [32 mm]
- › ZINC DIE-CAST CONSTRUCTION (POSTS)



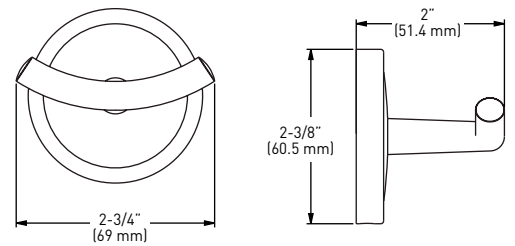
LIMITED LIFETIME WARRANTY



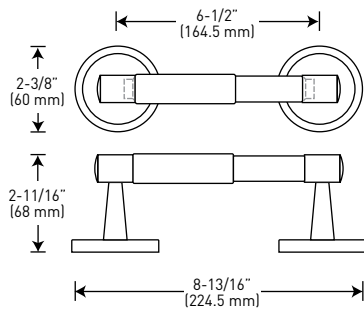
TOWEL BAR



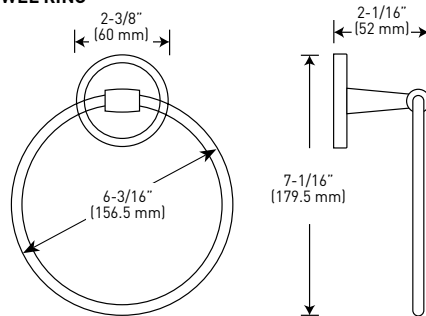
DOUBLE ROBE HOOK



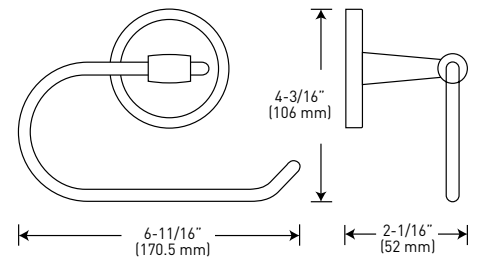
PAPER HOLDER



TOWEL RING



PAPER HOLDER/TOWEL HOLDER



MEASUREMENTS SUBJECT TO A 3% VARIANCE.

BUILDER PACK	POLISHED CHROME 26	MATERIAL	CASE PACK
18" TOWEL BAR	04-20418	STAINLESS STEEL	10
24" TOWEL BAR	04-20424	STAINLESS STEEL	10
DOUBLE ROBE HOOK	04-20402	ZINC	10
TOWEL RING	04-20404	STAINLESS STEEL	10
STANDARD PAPER HOLDER	04-20408	ZINC/PLASTIC	10
PAPER/TOWEL HOLDER	04-20448	STAINLESS STEEL	10