

# DEADBOLT

## BUILDERS SERIES

### SINGLE CYLINDER DEADBOLTS



SINGLE  
CYLINDER  
DEADBOLT

#### AVAILABLE FINISHES

3  
POLISHED  
BRASS



10B+  
AGED  
BRONZE



15  
SATIN  
NICKEL



26D  
SATIN  
CHROME

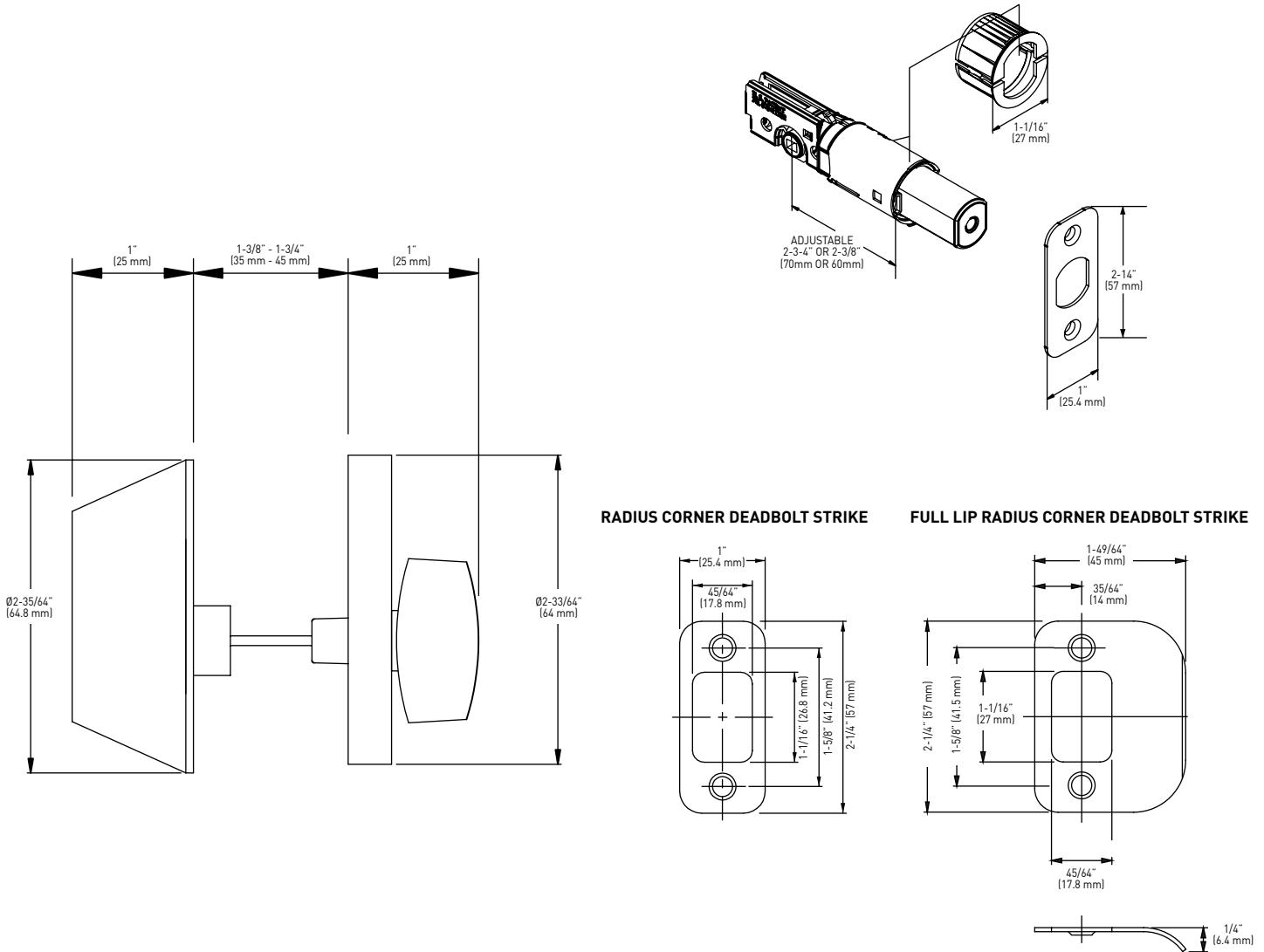


INTERIOR  
THUMBTURN

#### FEATURES

- 5-PIN BRASS PLUG (CK)
- KWIKSET KEYWAY
- 4-IN-1 ADJUSTABLE BACKSET LATCH
- RADIUS CORNER & FULL LIP RADIUS CORNER DEADBOLT STRIKE
- FIRE RATEABLE - 20 MINUTES
- ANSI/BHMA GRADE 3
- FITS DOORS 1-3/8" TO 1-3/4" THICK
- PACKAGED IN KA4
- KEYING OPTIONS AVAILABLE
- 25 YEAR MECHANICAL WARRANTY
- 5 YEAR FINISH WARRANTY

**4-IN-1 ADJUSTABLE LATCH**



**OPTIONS THAT MAY BE ADDED TO SINGLE CYLINDER DEADBOLT**

- AN APPROVED UL LATCH MAY BE ORDERED WITH LOCKS TO MEET BUILDING CODE REQUIREMENTS FOR 20 MINUTE FIRE RATING STANDARDS. THESE UL LATCHES MUST BE ORDERED WITH THE LOCKS AND ARE NOT SOLD SEPARATELY.
- PLEASE CONTACT YOUR TAYMOR REPRESENTATIVE FOR SPECIALTY KEYING OPTIONS SUCH AS KEYED ALIKE OR KEYED DIFFERENT REQUIREMENTS OR SEVERAL VARIATIONS OF MASTER AND CONSTRUCTION KEYING.

**4-IN-1 LATCH  
SINGLE CYLINDER DEADBOLT**

|  | 3<br>POLISHED<br>BRASS | 10B+<br>AGED<br>BRONZE | 15<br>SATIN<br>NICKEL | 26D<br>SATIN<br>CHROME | CASE<br>PACK |
|--|------------------------|------------------------|-----------------------|------------------------|--------------|
| SINGLE CYLINDER DEADBOLT 4-IN-1 ADJUSTABLE LATCH | 36-RD2201PB            | 36-RD2201BRN           | 36-RD2201SN           | 36-RD2201SC            | 20           |
| INTERIOR THUMB TURN ONLY                         | 36-RD2100PB            | 36-RD2100BRN           | 36-RD2100SN           | 36-RD2100SC            | 20           |

