

TAHOE

BUILDERS SERIES LEVERSETS



TAHOE
LEVERSET



ENTRY
FRONT/BACK
INSIDE PUSH OR TURN BUTTON



PRIVACY
BED/BATH
INSIDE PUSH OR TURN BUTTON



PASSAGE
HALL/CLOSET



DUMMY
INACTIVE

AVAILABLE FINISHES

15
SATIN
NICKEL

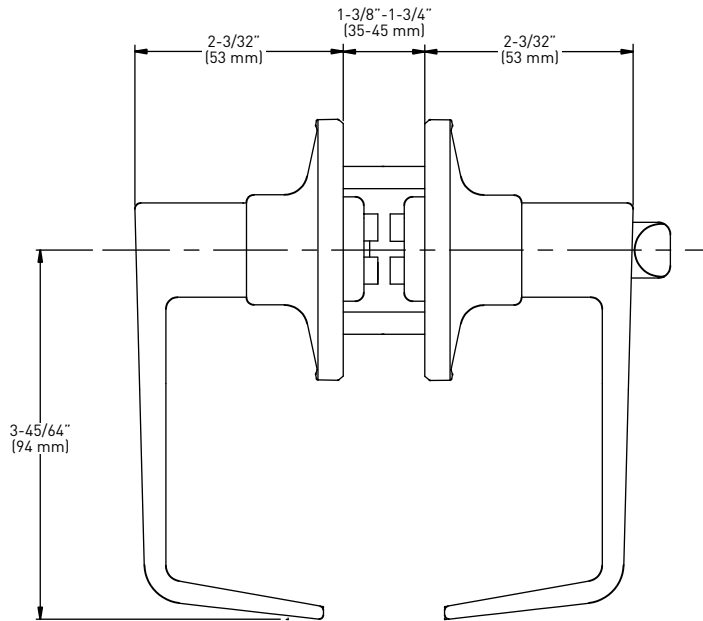


26D
SATIN
CHROME

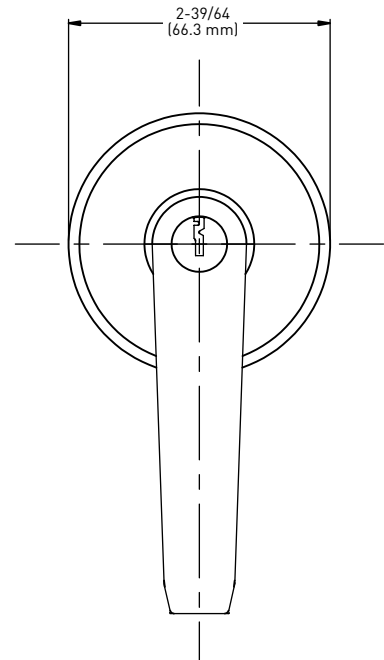


FEATURES

- REVERSIBLE DESIGN
- 5-PIN BRASS PLUG (CK)
- KWIKSET KEYWAY
- 4-IN-1 ADJUSTABLE BACKSET LATCH
- FIRE RATEABLE - 20 MINUTES
- ANSI/BHMA GRADE 3
- FITS DOORS 1-3/8" TO 1-3/4" THICK
- FULL LIP RADIUS CORNER "D" STRIKE
- KEYING OPTIONS AVAILABLE
- 25 YEAR MECHANICAL WARRANTY
- 5 YEAR FINISH WARRANTY

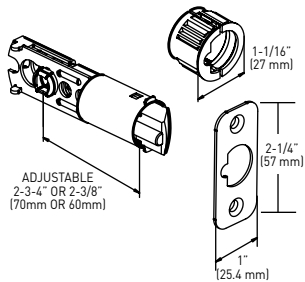


4-IN-1 ADJUSTABLE LATCH

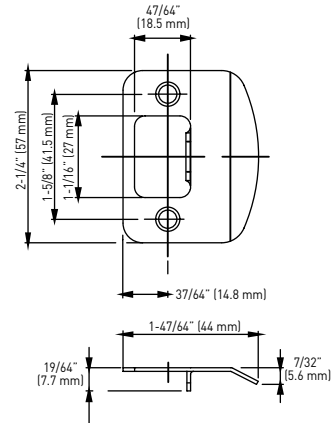
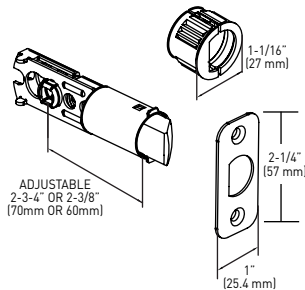


FULL LIP RADIUS CORNER "D" STRIKE

4-IN-1 ENTRY LATCH



4-IN-1 PRIVACY/PASSAGE LATCH



OPTIONS THAT MAY BE ADDED TO TAHOE LEVERSETS

- AN APPROVED UL LATCH MAY BE ORDERED WITH LOCKS TO MEET BUILDING CODE REQUIREMENTS FOR 20 MINUTE FIRE RATING STANDARDS. THESE UL LATCHES MUST BE ORDERED WITH THE LOCKS AND ARE NOT SOLD SEPARATELY.
- PLEASE CONTACT YOUR TAYMOR REPRESENTATIVE FOR SPECIALTY KEYING OPTIONS SUCH AS KEYED ALIKE OR KEYED DIFFERENT REQUIREMENTS OR SEVERAL VARIATIONS OF MASTER AND CONSTRUCTION KEYING.

TAHOE LEVERSET - BOX PACK	15 SATIN NICKEL			24D SATIN CHROME	
	15 SATIN NICKEL	24D SATIN CHROME	CASE PACK		
ENTRY - FRONT/BACK LEVERSET 4-IN-1 RADIUS CORNER MORTISE/DRIVE-IN LATCH - KD	36-RD3710SNAR PUSH-BUTTON AUTO-RELEASE	36-RD3710SN INSIDE TURN BUTTON	36-RD3710SC INSIDE TURN BUTTON	20	
PRIVACY - BED/BATH LEVERSET 4-IN-1 RADIUS CORNER MORTISE/DRIVE-IN LATCH	36-RD3703SNAR PUSH-BUTTON AUTO-RELEASE	36-RD3703SN INSIDE TURN BUTTON	36-RD3703SC INSIDE TURN BUTTON	20	
PASSAGE - HALL/CLOSET LEVERSET 4-IN-1 RADIUS CORNER MORTISE/DRIVE-IN LATCH	36-RD3705SN		36-RD3705SC	20	
DUMMY - SINGLE SIDE INACTIVE LEVER	36-RD3707SN		36-RD3707SC	20	

