

Taymor

INTERCONNECTED LOCK (SIMULTANEOUS RETRACTION)

DEADBOLT LOCK
BUILDER PACK



FEATURES

- SAFE AND EASY EXIT: SIMPLY PRESS THE LEVER TO UNLOCK AND OPEN THE DOOR
- CONCEALED SCREW MOUNTING
- HIGH-RISE CONDO APPLICATIONS
- ADA COMPLIANT
- 2-1 SQUARE MORTISE STAINLESS STEEL LATCH
- HIGH TENSILE STEEL ANTI-SAW PIN
- MEETS UL 3-HOUR FIRE RATING STANDARDS
- MEETS ALL ANSI/BHMA 156.2 GRADE 3 STANDARDS , INCLUDING 200,000 CYCLE PERFORMANCE TESTING
- EASY TO INSTALL – USES EXISTING 2-1/8" BORE PREP; NO EXTRA DRILLING REQUIRED
- FITS DOORS 1-3/8" TO 1-3/4" THICK
- HIGH-SECURITY STRIKE AS STANDARD FOR DEADBOLT FUNCTION 1-1/8" x 2-3/4"
- 1-3/4" x 2-1/4" FULL LIP RADIUS CORNER "D" STRIKE AS STANDARD FOR PASSAGE FUNCTION
- SC1 6 PIN CYLINDER KEYING
- RE-KEYABLE AND CONSTRUCTION KEYABLE
- LIFETIME MECHANICAL WARRANTY, 5-YEAR FINISH WARRANTY

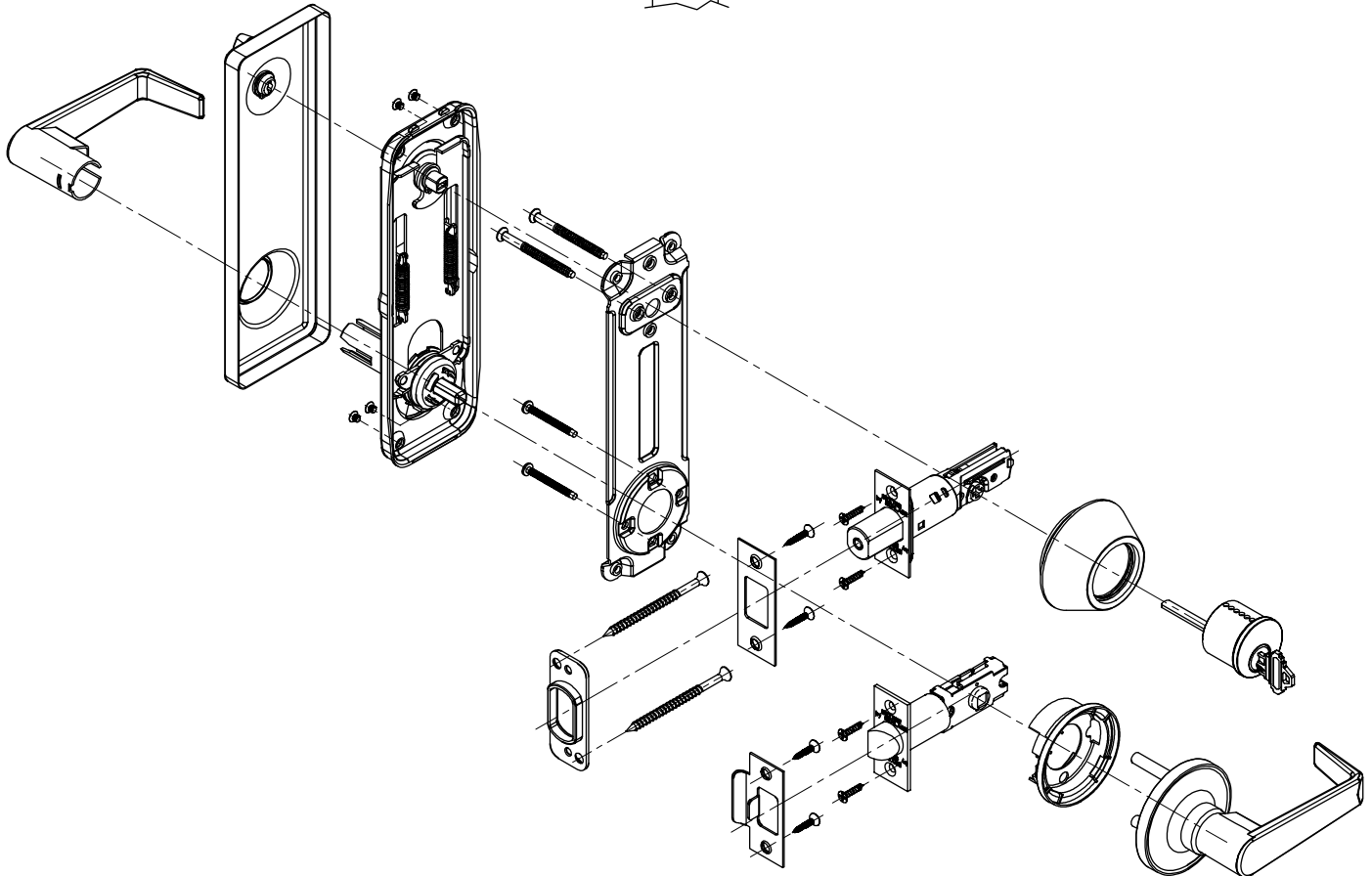
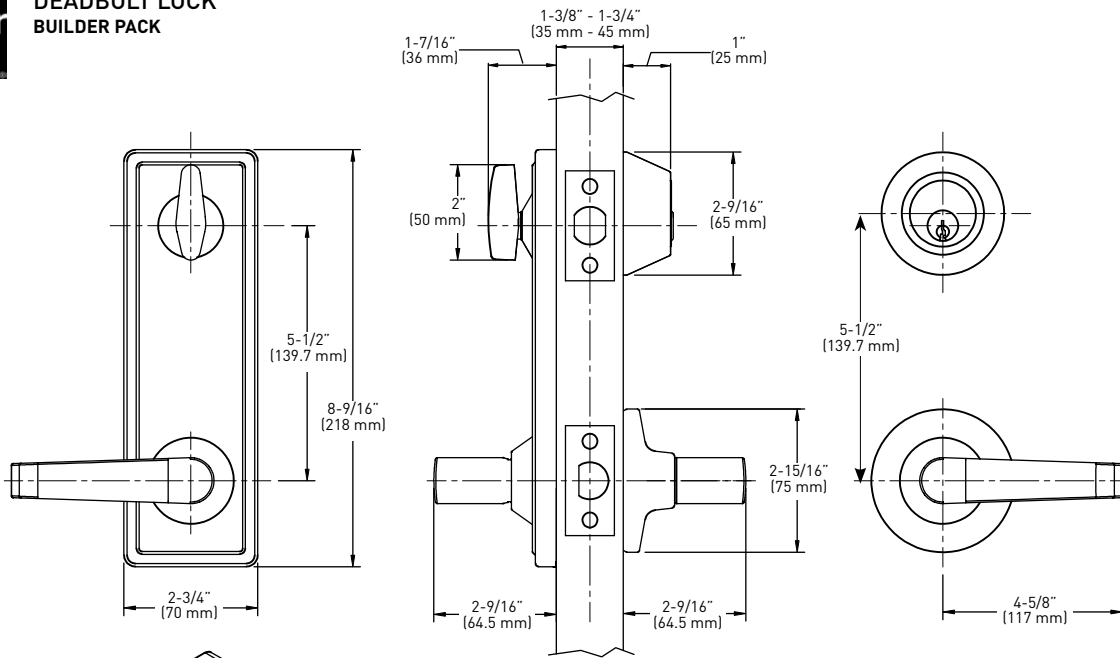
AVAILABLE FINISHES

15
SATIN
NICKEL



INTERCONNECTED LOCK (SIMULTANEOUS RETRACTION)

DEADBOLT LOCK
BUILDER PACK



OPTIONS THAT MAY BE ADDED TO INTERCONNECTED LOCKS

- DECORATIVE EXTERIOR ESCUTCHEON TRIM PLATES AVAILABLE AS OPTIONAL UPGRADE.
- FOR 3-HOUR UL APPLICATIONS, OR WHERE METAL DOOR FRAMES ARE SPECIFIED, THE ASA STRIKE MUST ALSO BE ORDERED (ITEM #: 33-SS9109)
- PLEASE CONTACT YOUR TAYMOR REPRESENTATIVE FOR SPECIALTY KEYING OPTIONS SUCH AS KEYED ALIKE OR KEYED DIFFERENT REQUIREMENTS OR SEVERAL VARIATIONS OF MASTER AND CONSTRUCTION KEYING.

INTERCONNECTED DEADBOLT LOCK - BUILDER PACK	SATIN NICKEL 15	CASE PACK
INTERCONNECTED DEADBOLT/CALAIS LEVER - ENTRY - KD - 3HR - UL 2-1	33-INT4286UL	6
INTERCONNECTED DEADBOLT/CALAIS LEVER - PASSAGE - KD - 3HR - UL 2-1	33-INT4285UL	6