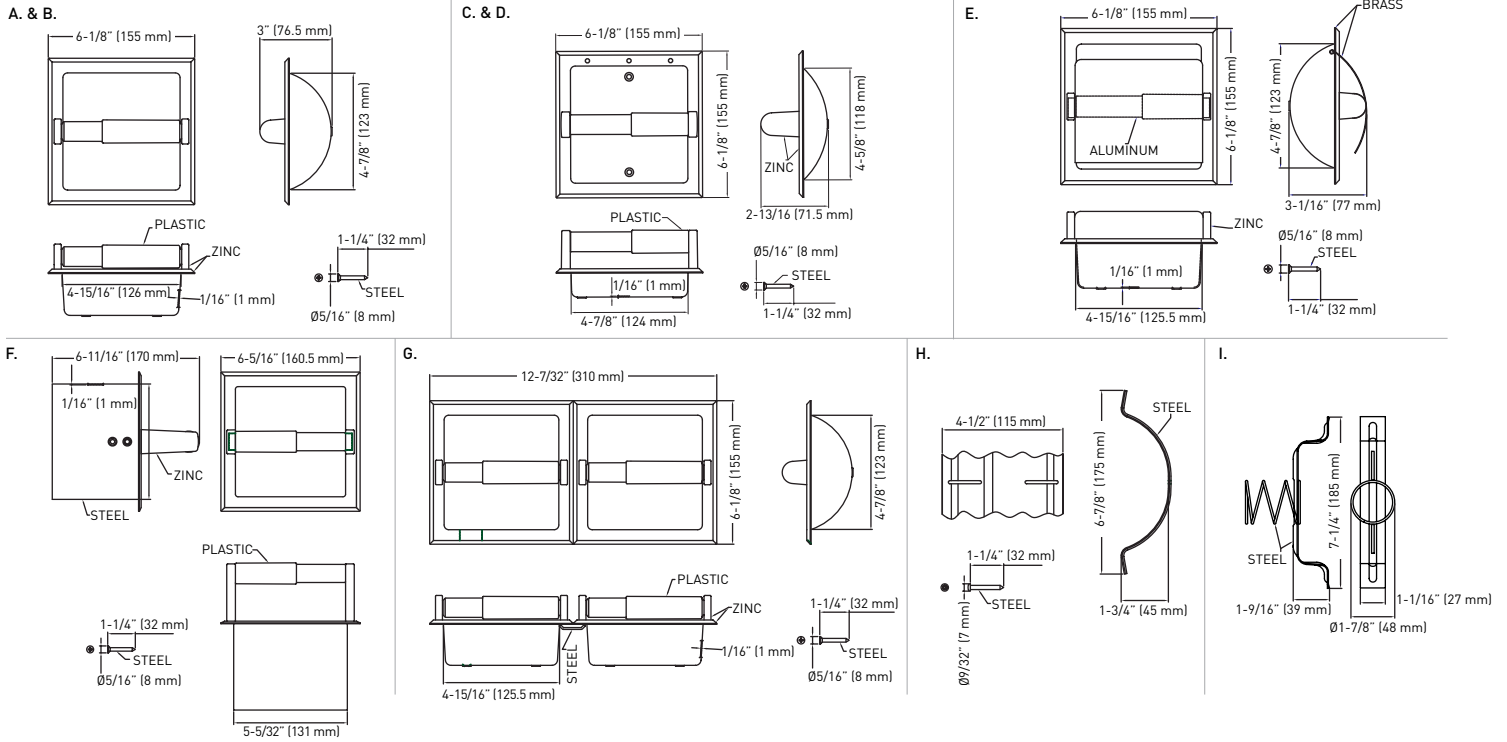
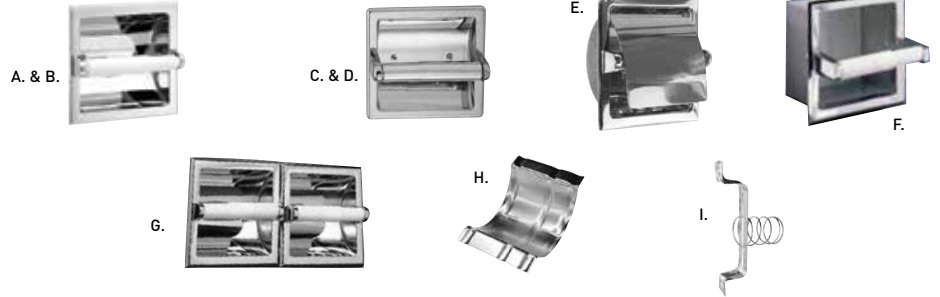


FEATURES

- RECESSED MOUNT APPLICATION
- INCLUDES #10 x 1" [25 mm] MOUNTING SCREWS FOR SCREW-IN APPLICATION



LIMITED LIFETIME WARRANTY



MEASUREMENTS ARE FOR REFERENCE ONLY. TAYMOR RESERVES THE RIGHT TO CHANGE THE PRODUCT SPECS WITHOUT NOTICE. FOR PRODUCT WARRANTY, PLEASE VISIT TAYMOR WEBSITE FOR DETAILS.

DESCRIPTION BUILDER PACK	OIL RUBBED BRONZE 10B	SATIN NICKEL 15	POLISHED CHROME 26	WALL OPENING	MATERIAL	ROLLER	CASE QTY
A. RECESSED PAPER HOLDER - WHITE ROLLER	N/A	01-SN101S	01-101S	5-1/8" W x 5-1/8" H (130 mm x 130 mm)	ZINC	WHITE PLASTIC	50
B. RECESSED PAPER HOLDER - ORB ROLLER	01-ORB101SAL	N/A	N/A	5-1/8" W x 5-1/8" H (130 mm x 130 mm)	ZINC	ORB FINISH ALUMINUM	50
C. RECESSED PAPER HOLDER - WHITE ROLLER	N/A	N/A	01-1863S	5-1/8" W x 5-1/8" H (130 mm x 130 mm)	ZINC	WHITE PLASTIC	50
D. RECESSED PAPER HOLDER - CHROME ROLLER	N/A	N/A	01-1864S	5-1/8" W x 5-1/8" H (130 mm x 130 mm)	ZINC	CHROME FINISH PLASTIC	50
E. RECESSED PAPER HOLDER WITH HOOD	N/A	N/A	01-106SH	5-1/8" W x 5-1/8" H (130 mm x 130 mm)	ZINC/BRASS	CHROME FINISH ALUMINUM	50
F. RECESSED EXTRA PAPER HOLDER	N/A	01-1070SN	01-1070	5-1/4" W x 5-1/4" H (133 mm x 133 mm)	ZINC/STEEL	WHITE PLASTIC	20/12
G. TWIN RECESSED PAPER HOLDER	N/A	N/A	01-TW101S	11-1/2" W x 5-1/8" H (292 mm x 130 mm)	ZINC/STEEL	WHITE PLASTIC	10
H. WIDE WALL CLAMP FOR RECESSED SCREW MOUNT FIXTURES	N/A	N/A	01-1005	-	STEEL	N/A	100
I. INSTALLATION CLAMP FOR RECESSED SCREW MOUNT FIXTURES	N/A	N/A	01-1003	-	STEEL	N/A	50

