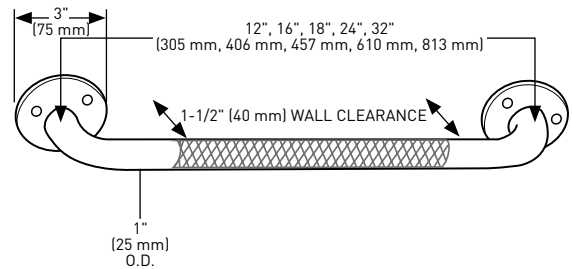
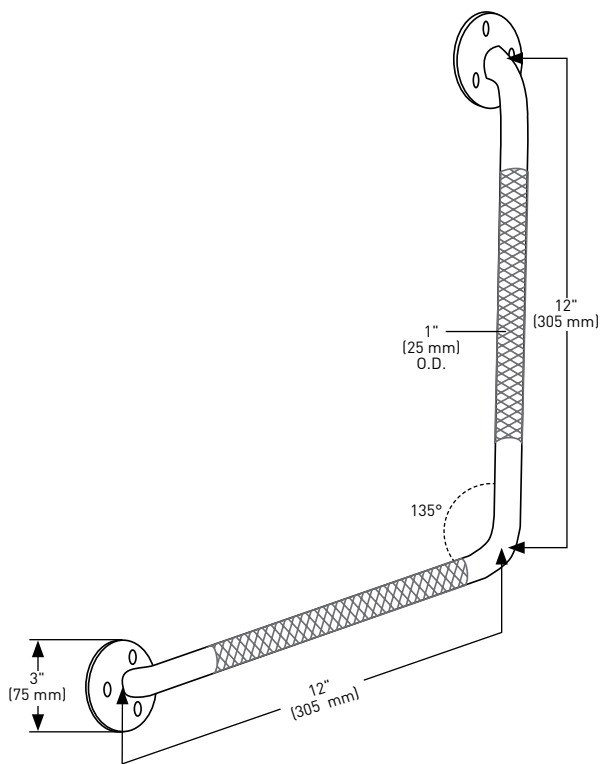


FEATURES

- › KNURLED SECTION IN EXPOSED MOUNT
- › STAINLESS STEEL CONSTRUCTION
- › TUBE GAUGE 20
- › 1" O.D. [25.4 mm]
- › MAXIMUM WEIGHT CAPACITY OF 250 LBS/113 KG PULL



LIMITED LIFETIME WARRANTY



MEASUREMENTS ARE FOR REFERENCE ONLY. TAYMOR RESERVES THE RIGHT TO CHANGE THE PRODUCT SPECS WITHOUT NOTICE. FOR PRODUCT WARRANTY, PLEASE VISIT TAYMOR WEBSITE FOR DETAILS.

KNURLED EXPOSED MOUNT GRAB BARS

	POLISHED STAINLESS STEEL 32	CASE QTY.
12" x 12" (305 mm x 305 mm) - 135° KNURLED ANGLED GRAB BAR	03-4905	2
12" (305 mm) LONG KNURLED GRAB BAR	03-4912	3
16" (406 mm) LONG KNURLED GRAB BAR	03-4916	3
18" (457 mm) LONG KNURLED GRAB BAR	03-4918	3
24" (610 mm) LONG KNURLED GRAB BAR	03-4924	3
32" (813 mm) LONG KNURLED GRAB BAR	03-4932	3

