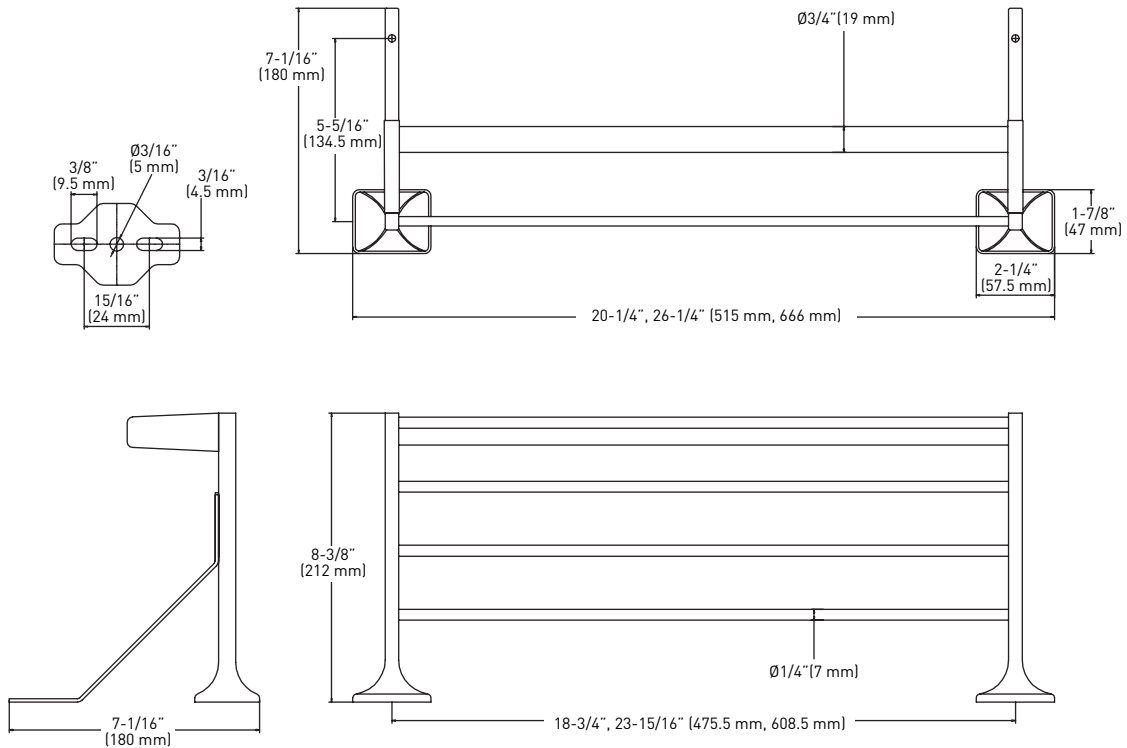


### FEATURES

- › CONCEALED MOUNT
- › ZINC DIECAST AND STEEL CONSTRUCTION
- › MOUNTING HARDWARE INCLUDED



MEASUREMENTS ARE FOR REFERENCE ONLY. TAYMOR RESERVES THE RIGHT TO CHANGE THE PRODUCT SPECS WITHOUT NOTICE. FOR PRODUCT WARRANTY, PLEASE VISIT TAYMOR WEBSITE FOR DETAILS.

DESCRIPTION   BUILDER PACK	POLISHED CHROME 26	CASE QTY.
18" TOWEL SHELF WITH BAR & WALL ANGLE BRACKETS	01-150018BB	10
24" TOWEL SHELF WITH BAR & WALL ANGLE BRACKETS	01-150024BB	10
TOWEL SHELF SUPPORT BRACKETS - FOR (E.) 01-150024B	01-BR1500	100