

KAI
BATHWARE

Taymor



**AVAILABLE
FINISHES**

POLISHED CHROME
US26



FEATURES

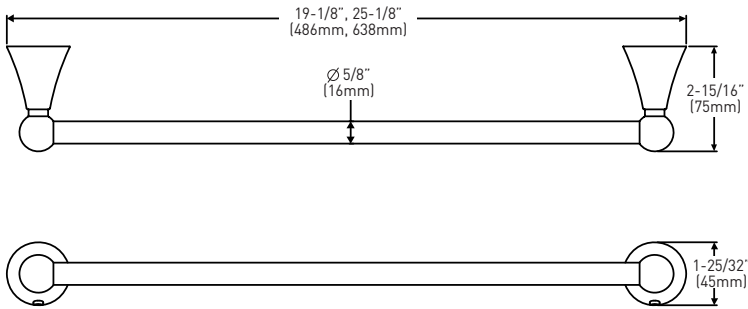
- CONCEALED SURFACE MOUNT
- LIFETIME WARRANTY
- MOUNTING HARDWARE AND INSTALLATION INSTRUCTIONS INCLUDED

CONSTRUCTION: ZAMAC (DIECAST ZINC ALLOY)

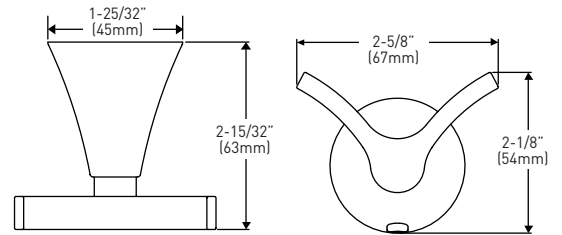
INCLUDES MOUNTING PLATES — 1-3/16" [30mm] x 1-3/16" [30mm]; NYLON ANCHORS AND STEEL PHILLIPS HEAD SCREWS — #8 x 1-1/4" [32mm]

		TOWEL BAR TUBE SIZE	TOWEL BAR TUBE MATERIAL	TOWEL RING TUBE MATERIAL	STANDARD PAPER HOLDER ROLLER MATERIAL	PAPER HOLDER/ TOWEL HOLDER MATERIAL
US26	POLISHED CHROME	5/8" [16mm]	ALUMINUM	ALUMINUM	N/A	STEEL

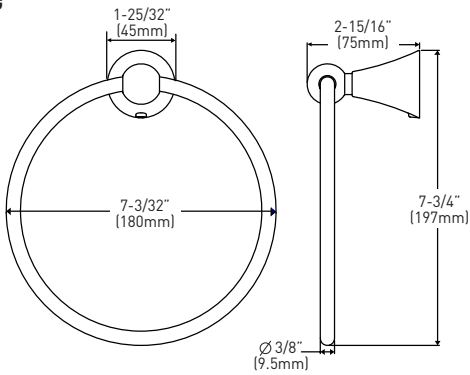
TOWEL BAR



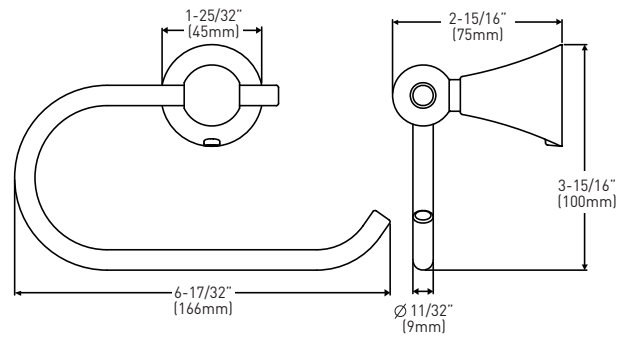
DOUBLE ROBE HOOK



TOWEL RING



PAPER HOLDER/TOWEL HOLDER



MEASUREMENTS SUBJECT TO A 3% VARIANCE.

PHOTO	DESCRIPTION	POLISHED CHROME US26	CASE PACK
	18" x 5/8" TOWEL BAR 24" x 5/8" TOWEL BAR	04-16118 04-16124	10 10
	DOUBLE ROBE HOOK	04-16102	10
	TOWEL RING	04-16104	10
	PAPER HOLDER/TOWEL HOLDER	04-16148	10