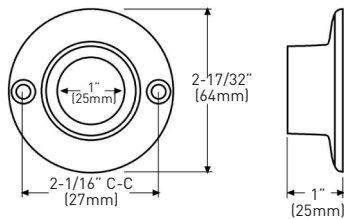


- POLY BAGGED WITH UPC LABEL
- ZINC & ALUMINUM METAL ALLOY CASTING
- ALLOWS USE OF ONE-PIECE SHOWER ROD WITHOUT DRILLING HOLES OR ADHESIVES
- CAN ADD UP TO 3/4" (1.9 cm) OF TENSION TO THE SHOWER ROD
- FITS STANDARD 1" (2.5 cm) OUTER DIAMETER SHOWER RODS
- RUBBER ENDS ON BOTH SIDES PREVENT SLIPPING

**ADJUSTABLE TENSION SHOWER ROD FLANGES**

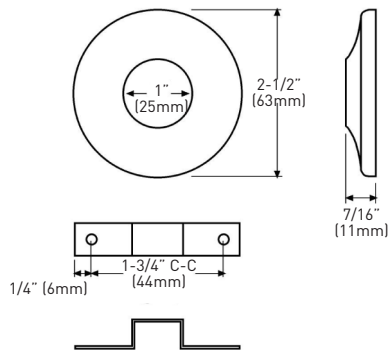
	US10B OIL RUBBED BRONZE	US15 SATIN NICKEL	US26 POLISHED CHROME	CASE PACK
ADJUSTABLE TENSION SHOWER ROD FLANGES	01-96560RB	01-9656SN	01-9656	100 PRS



- POLY BAGGED WITH UPC LABEL
- ZINC & ALUMINUM METAL ALLOY CASTING
- EXPOSED SCREW MOUNTING
- INCLUDES SETSCREW TO TIGHTEN ROD
- FITS STANDARD 1" (2.5 cm) OUTER DIAMETER SHOWER RODS
- INSTALLATION HARDWARE INCLUDED

**ROUND SHOWER ROD FLANGES**

	US10B OIL RUBBED BRONZE	US15 SATIN NICKEL	US26 POLISHED CHROME	CASE PACK
ROUND SHOWER ROD FLANGES	01-96610RB	01-9661SN	01-9661	100 PRS



- POLY BAGGED WITH UPC LABEL
- STEEL CONSTRUCTION
- CONCEALED SCREW MOUNTING
- FITS STANDARD 1" (2.5 cm) OUTER DIAMETER SHOWER RODS
- INSTALLATION HARDWARE INCLUDED

**ROUND CONCEALED MOUNT SHOWER ROD FLANGES**

	US10B OIL RUBBED BRONZE	US15 SATIN NICKEL	US26 POLISHED CHROME	CASE PACK
ROUND CONCEALED MOUNT SHOWER ROD FLANGES	01-96590RB	01-9659SN	01-9659	50 PRS