

# DIAMONDBACK

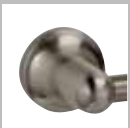
BATHWARE

Taymor



## AVAILABLE FINISHES

SATIN NICKEL  
US15



POLISHED CHROME  
US26



## FEATURES

- CONCEALED SURFACE MOUNT
- LIFETIME WARRANTY
- MOUNTING HARDWARE AND INSTALLATION INSTRUCTIONS INCLUDED



# DIAMONDBACK

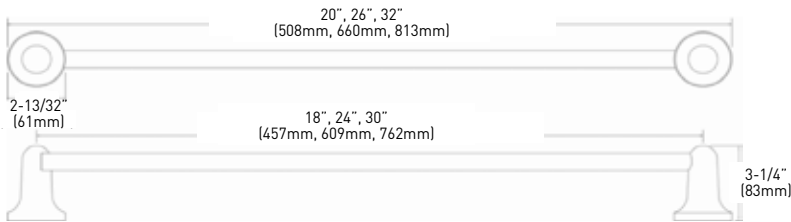
BATHWARE

CONSTRUCTION: ZAMAC (DIECAST ZINC ALLOY)

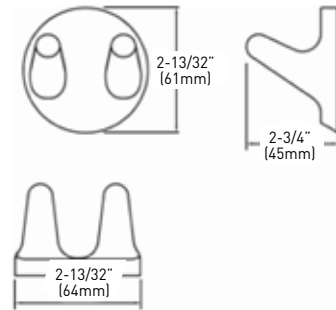
INCLUDES MOUNTING PLATES — 1-13/16" [46 mm] x 1-3/16" [30 mm]; NYLON ANCHORS AND STEEL PHILLIPS HEAD SCREWS — #8 x 1-1/4" [32mm]

		TOWEL BAR TUBE SIZE	TOWEL BAR TUBE MATERIAL	TOWEL RING TUBE MATERIAL	STANDARD PAPER HOLDER ROLLER MATERIAL	PAPER HOLDER/ TOWEL HOLDER MATERIAL
US15	SATIN NICKEL	3/4" [19mm]	ALUMINUM	ALUMINUM	PLASTIC	N/A
US26	POLISHED CHROME	3/4" [19mm]	ALUMINUM	ALUMINUM	PLASTIC	N/A

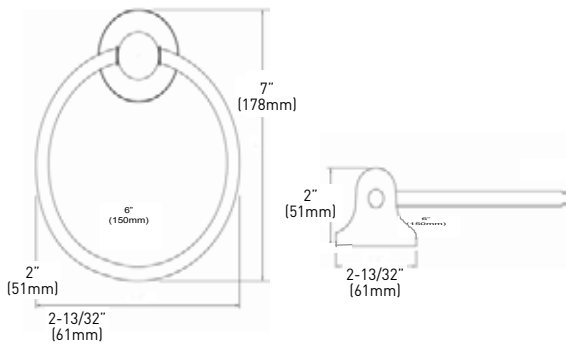
## TOWEL BAR



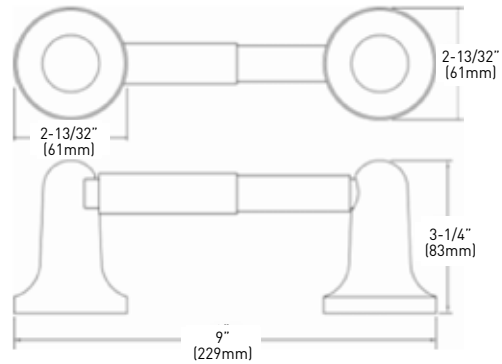
## DOUBLE ROBE HOOK



## TOWEL RING



## PAPER HOLDER



MEASUREMENTS SUBJECT TO A 3% VARIANCE.

PHOTO	DESCRIPTION	SATIN NICKEL US15	POLISHED CHROME US26	CASE PACK
	18" x 3/4" TOWEL BAR 24" x 3/4" TOWEL BAR 30" x 3/4" TOWEL BAR	04-SN4918 04-SN4924 04-SN4930	04-4918 04-4924 04-4930	10 10 10
	DOUBLE ROBE HOOK	04-SN4902	04-4902	10
	TOWEL RING	04-SN4904	04-4904	10
	PAPER HOLDER	04-SN4908	04-4908	10