

BRENTWOOD

BATHWARE

Taymor®



AVAILABLE FINISHES

OIL RUBBED BRONZE
US10B



SATIN NICKEL
US15



POLISHED CHROME
US26



FEATURES

- CONCEALED SURFACE MOUNT
- LIFETIME WARRANTY
- MOUNTING HARDWARE AND INSTALLATION INSTRUCTIONS INCLUDED



BRENTWOOD

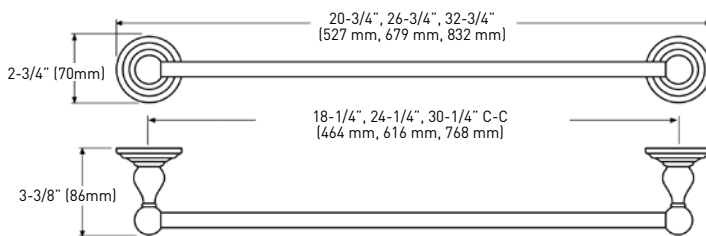
BATHWARE

CONSTRUCTION: ZAMAC (DIECAST ZINC ALLOY)

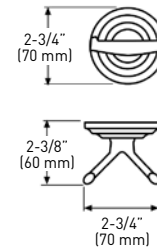
INCLUDES MOUNTING PLATES — 2-3/16" (56mm) x 1" (25mm); NYLON ANCHORS AND STEEL PHILLIPS HEAD SCREWS — #8 x 1-1/4" (32mm)

		TOWEL BAR TUBE SIZE	TOWEL BAR TUBE MATERIAL	TOWEL RING TUBE MATERIAL	STANDARD PAPER HOLDER ROLLER MATERIAL	PAPER HOLDER/ TOWEL HOLDER MATERIAL
US10B	OIL RUBBED BRONZE	3/4" (19mm)	BRASS	BRASS	PLASTIC	STEEL
US15	SATIN NICKEL	3/4" (19mm)	ALUMINUM	ALUMINUM	PLASTIC	STEEL
US26	POLISHED CHROME	3/4" (19mm)	ALUMINUM	ALUMINUM	PLASTIC	STEEL

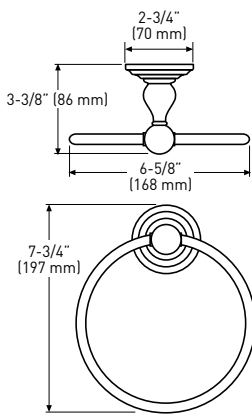
TOWEL BAR



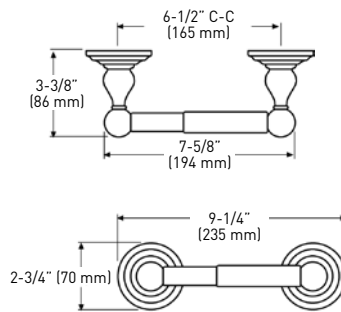
DOUBLE ROBE HOOK



TOWEL RING



STANDARD PAPER HOLDER



PAPER HOLDER/TOWEL HOLDER

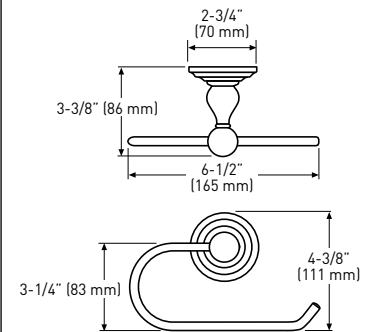


PHOTO	DESCRIPTION	OIL RUBBED BRONZE US10B	SATIN NICKEL US15	POLISHED CHROME US26	CASE PACK
	18" x 3/4" TOWEL BAR 24" x 3/4" TOWEL BAR 30" x 3/4" TOWEL BAR	04-BRN6218 04-BRN6224 04-BRN6230	04-SN6218 04-SN6224 04-SN6230	04-6218 04-6224 04-6230	10 10 10
	DOUBLE ROBE HOOK	04-BRN6202	04-SN6202	04-6202	10
	TOWEL RING	04-BRN6204	04-SN6204	04-6204	10
	STANDARD PAPER HOLDER	04-BRN6208	04-SN6208	04-6208	10
	PAPER HOLDER/TOWEL HOLDER	04-BRN6248	04-SN6248	04-6248	10