

SPECIFICATIONS

- › UL LISTED FOR USE ON 3-HOUR FIRE DOOR (SINGLE OR DOUBLE DOORS)
- › CONFORMS FULLY TO BHMA/ANSI 156.2 GRADE 1, INCLUDING OPERATIONAL, STRENGTH AND SECURITY REQUIREMENTS
- › MEETS OR EXCEEDS 1,000,000 CYCLE DURABILITY TEST
- › 12 GAUGE FULLY-WRAPPED HEAVY DUTY STEEL CASE
- › ZINC DICHROMATE PLATED FOR CORROSION RESISTANCE
- › ADJUSTS EASILY TO DOOR BEVEL EDGE ANGLES FROM FLAT TO 1/8" (3 mm)
- › FIELD REVERSIBLE HANDING ON CASSETTE (SHIPPED STANDARD AS RIGHT HANDED)
- › STAINLESS STEEL LATCH BOLT WITH 2 ANTI-FRICTION TONGUES
- › ROCKERTYPE, CHROME-PLATED BRASS TOGGLE (ON APPLICABLE FUNCTIONS)
- › STANDARD SC4 6-PIN KEYWAY (ON APPLICABLE FUNCTIONS)
- › CONSTRUCTION OR MASTER KEYING SYSTEMS AVAILABLE
- › INCLUDES 2 SOLID BRASS NICKEL-PLATED CUT KEYS PER LOCK
- › 10-YEAR MECHANICAL & 1-YEAR FINISH WARRANTY



BERGEN MORTISE



WITH ESCUTCHEON TRIM



WITH ROUND SECTIONAL TRIM

BRITANNIA MORTISE



SLIP STREAM MORTISE



VEGA MORTISE



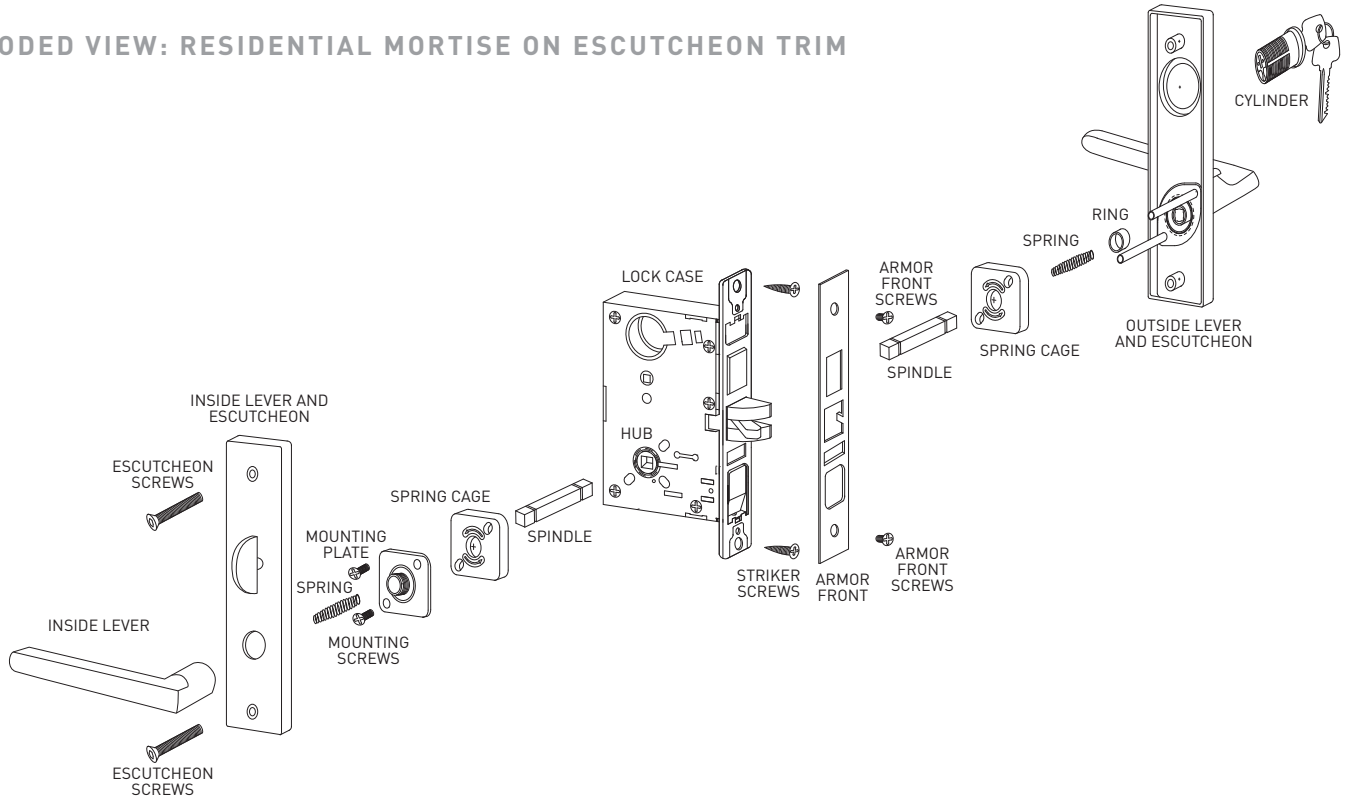
All items listed below are ANSI Function #F13 (Dormitory) for suite entry and home entry door applications.

BERGEN LEVERSET		SATIN NICKEL 15	MATTE BLACK 19**	POLISHED CHROME 26	SATIN CHROME 26D	CASE PACK
DORMITORY FUNCTION (ANSI F13)	ESCUTCHEON	39-E5666C15	39-E5666C19	39-E5666C26	-	6
	SECTIONAL	39-S5666C15	39-S5666C19	39-S5666C26	-	6
BRITANNIA LEVERSET		SATIN NICKEL 15	MATTE BLACK 19**	POLISHED CHROME 26	SATIN CHROME 26D	CASE PACK
DORMITORY FUNCTION (ANSI F13)	ESCUTCHEON	39-E5644C15L	-	-	-	6
	SECTIONAL	39-E5644C15R	-	-	-	6
	ESCUTCHEON	39-S5644C15L	-	-	-	6
	SECTIONAL	39-S5644C15R	-	-	-	6
SLIP STREAM LEVERSET		SATIN NICKEL 15	MATTE BLACK 19**	POLISHED CHROME 26	SATIN CHROME 26D	CASE PACK
DORMITORY FUNCTION (ANSI F13)	ESCUTCHEON	39-E5672C15	39-E5672C19	39-E5672C26	-	6
	SECTIONAL	39-S5672C15	39-S5672C19	39-S5672C26	-	6
VEGA LEVERSET		SATIN NICKEL 15	MATTE BLACK 19**	POLISHED CHROME 26	SATIN CHROME 26D	CASE PACK
DORMITORY FUNCTION (ANSI F13)	ESCUTCHEON	39-E5633C15	39-E5633C19	39-E5633C26	39-E5633C26D	6
	SECTIONAL	39-S5633C15	39-S5633C19	39-S5633C26	39-S5633C26D	6
	SQUARE SECTIONAL	39-SQ5633C15	39-SQ5633C19	39-SQ5633C26	39-SQ5633C26D	6
KEYED FUNCTIONS - ACCESSORIES		SATIN NICKEL 15	MATTE BLACK 19**	POLISHED CHROME 26	SATIN CHROME 26D	CASE PACK
MORTISE CYLINDER	1-1/4"	39-MSCYL114C15	39-MSCYL114C19	39-MSCYL114C26	39-MSCYL114C26D	100
	1-1/8"	39-MSCYL118C15	39-MSCYL118C19	39-MSCYL118C26	39-MSCYL118C26D	100
REPLACEMENT PARTS						
CLOVERLEAF CAM				39-CLCAM		10
SC4 6-PIN KEY BLANK				32-SC4		10

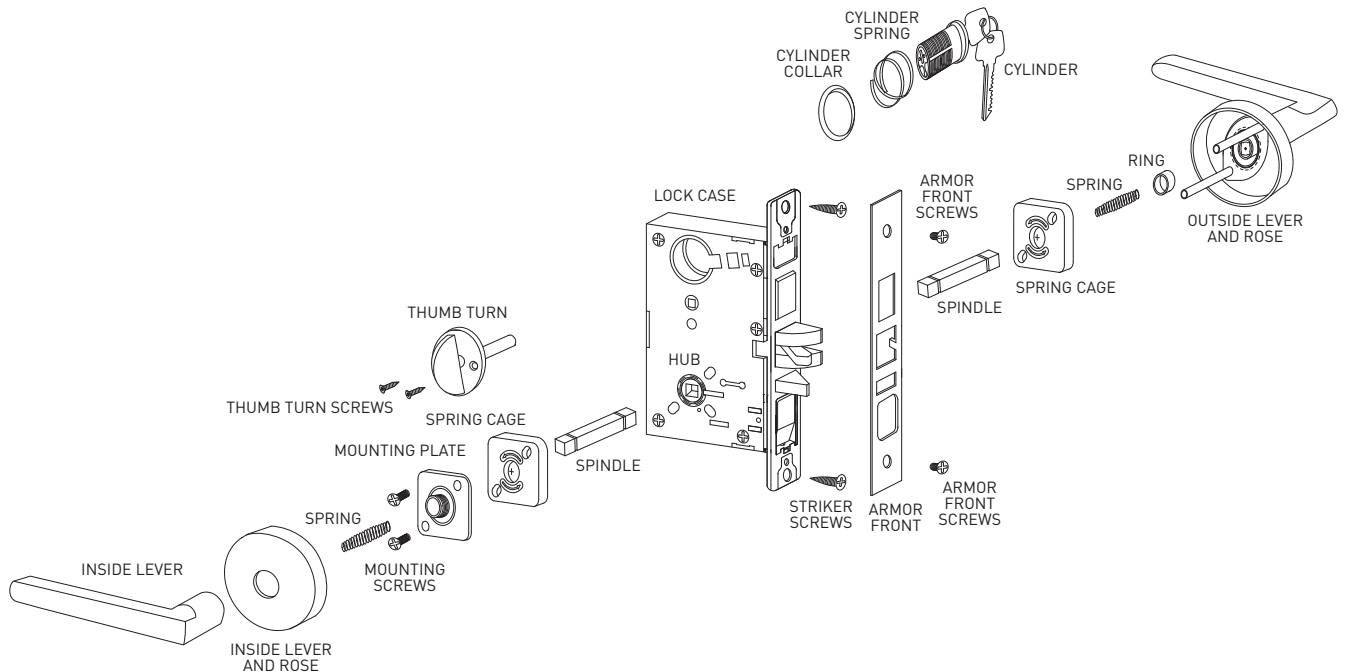
*Additional functions available as special order items – please refer to Commercial Mortise Locks cutsheet or contact Customer Service for further information.

**Special lead times and minimum quantities of 300 pieces apply to Matte Black 19 finish.

EXPLODED VIEW: RESIDENTIAL MORTISE ON ESCUTCHEON TRIM



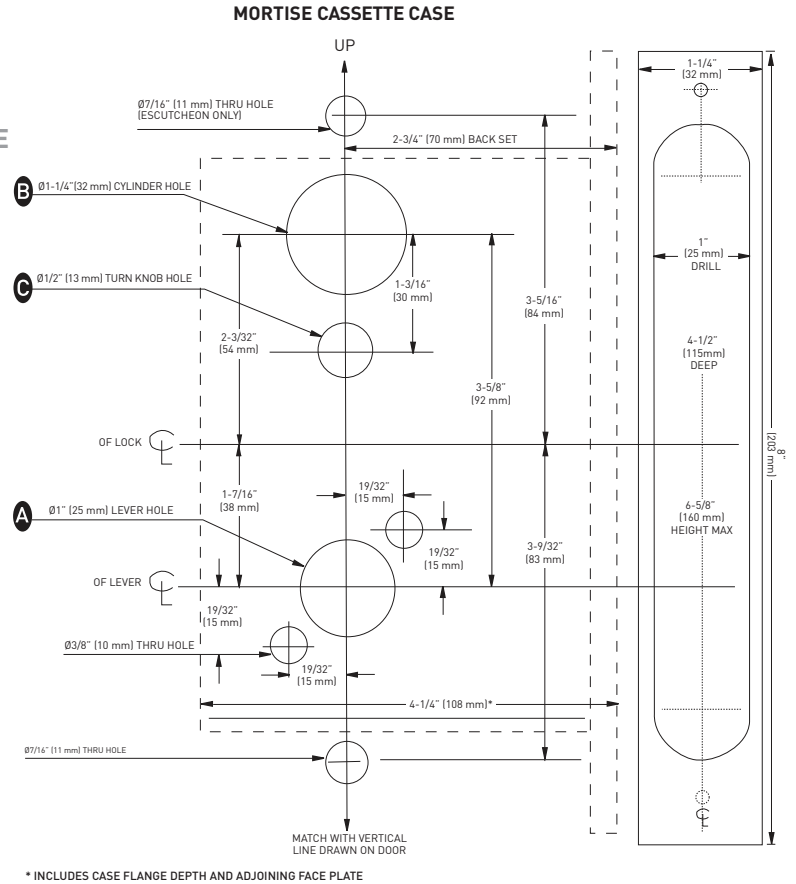
EXPLODED VIEW: RESIDENTIAL MORTISE ON SECTIONAL ROSE TRIM



SPECIFICATION DRAWINGS: MORTISE CASSETTE

WARNING:

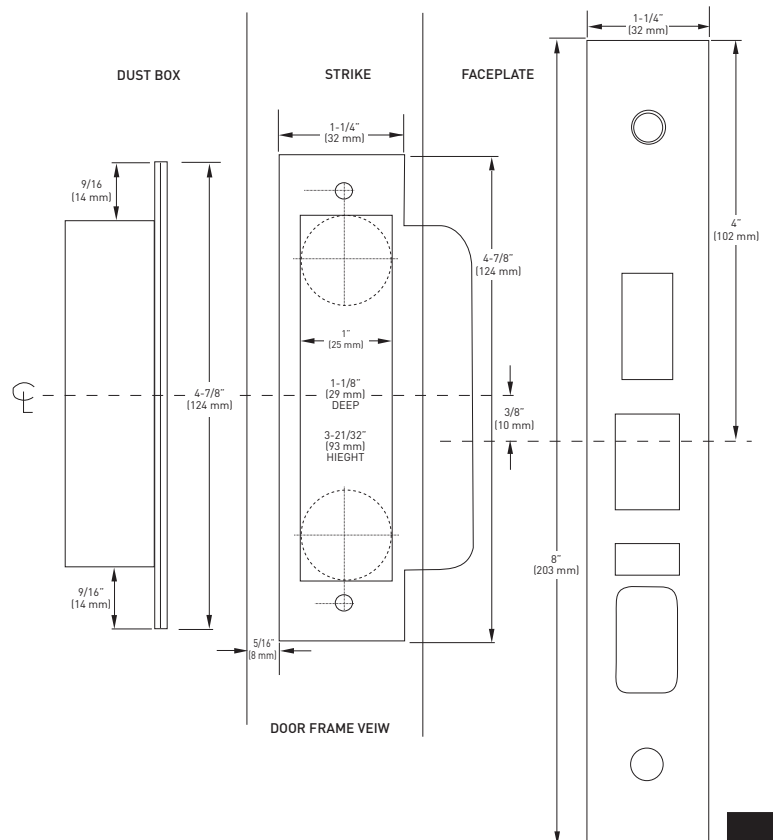
- DRAWINGS ON THIS PAGE ARE FOR REFERENCE ONLY - NOT TO SCALE
- REFER TO PRODUCT INSTALLATION TEMPLATES FOR COMPLETE DETAILS PRIOR TO DOOR PREPARATION
- CALL TAYMOR CUSTOMER SERVICE FOR QUESTIONS



SPECIFICATION DRAWINGS: MORTISE STRIKE, FACEPLATE, AND DUSTBOX

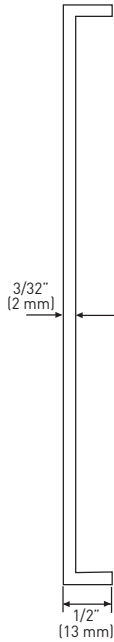
DOOR PREPARATION:

- STANDARD NORTH AMERICAN MORTISE LOCK DOOR PREPARATION (86 DOOR PREP AS PER ANSI A115.2)
- DOOR THICKNESS 1-3/4" (45 mm) STANDARD
- 2-3/4" (70 mm) BCKSET ONLY

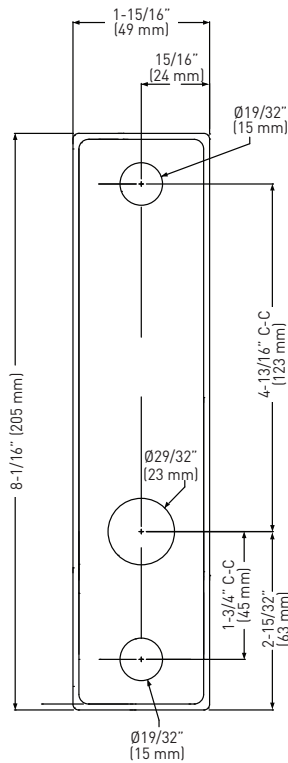


SPECIFICATION DRAWINGS: ESCUTCHEON FACEPLATE TRIM

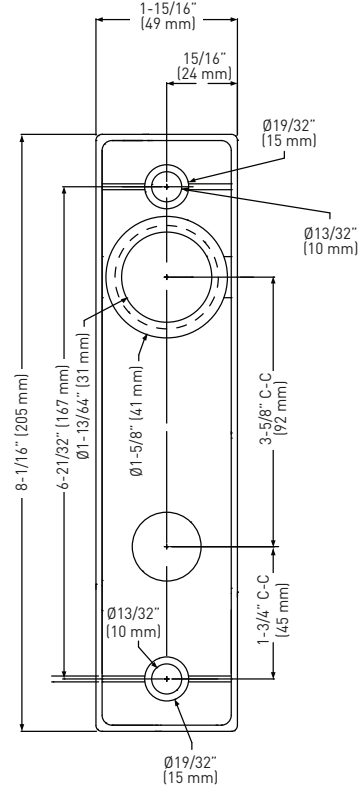
ESCUTCHEON PLATE SIDE VIEW



ESCUTCHEON PLATE INTERIOR

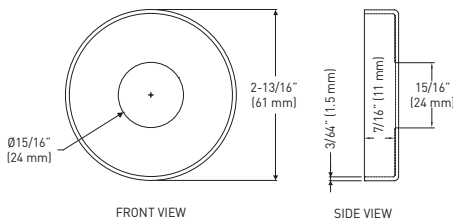


ESCUTCHEON PLATE EXTERIOR

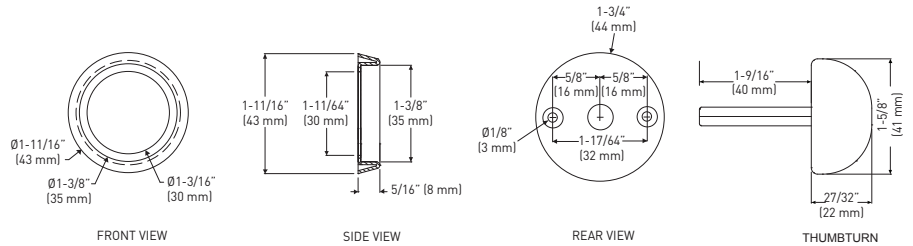


SPECIFICATION DRAWINGS: SECTIONAL ROSE TRIM

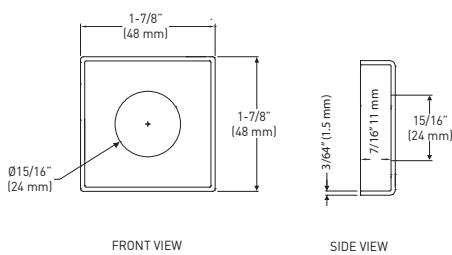
ROUND SECTIONAL ROSE: LEVERS



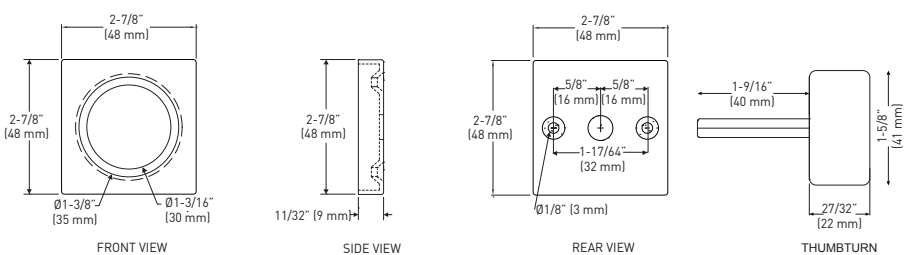
ROUND SECTIONAL ROSE: DEADBOLTS



SQUARE SECTIONAL ROSE: LEVERS

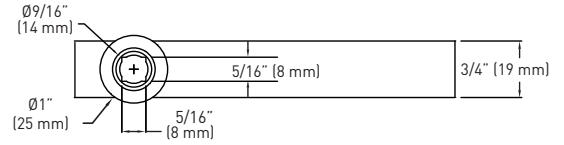
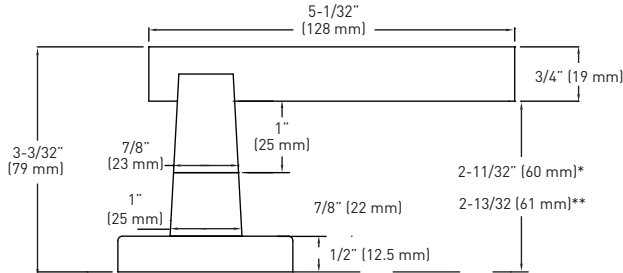


SQUARE SECTIONAL ROSE: DEADBOLTS

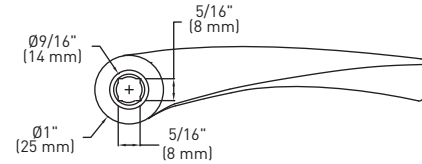
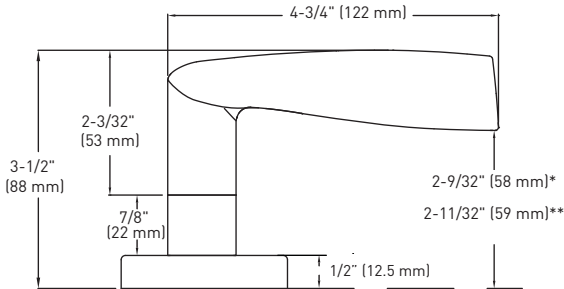


SPECIFICATION DRAWINGS: RESIDENTIAL MORTISE LEVER TRIMS

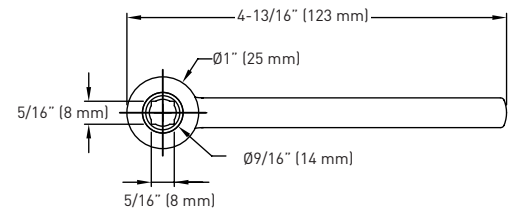
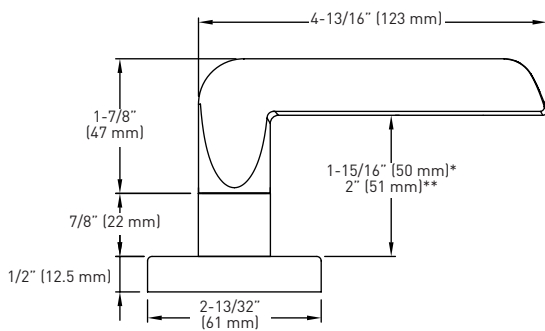
BERGEN LEVER



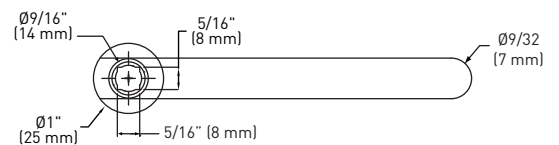
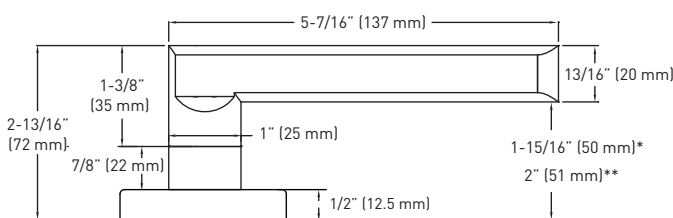
BRITANNIA LEVER



SLIP STREAM LEVER



VEGA LEVER



* STAND OFF MEASUREMENT FROM DOOR TO LEVER FOR ROSE TRIM

** STAND OFF MEASUREMENT FROM DOOR TO LEVER FOR ESCUTCHEON TRIM