

# Taymor

## PRODUCT SPECIFICATIONS

### THE PREMIER LINE

### CATANA LEVERSET

#### SPECIFICATIONS

- UNIVERSAL 6-IN-1 LATCH: DRIVE IN, SQUARE MORTISE AND RADIUS CORNER WITH ADJUSTABLE BACKSET: 2-3/8" (60 mm) – 2-3/4" (70 mm)
- STANDARD BORE HOLES: 2-1/8" (54 mm)
- FITS STANDARD DOOR THICKNESS: 1-3/8" (35 mm) – 1-3/4" (45 mm)
- FULL LIP RADIUS CORNER STRIKE WITH ADJUSTABLE TAB STANDARD: 1-3/4" x 2-1/4" (45 mm x 57 mm)
- PATENT PENDING DESIGN



GRADE  
**3**  
ANSI GRADE 3



LIFETIME MECHANICAL & FINISH WARRANTY



SQUARE ROSE KIT OPTION



2-1/4" OPTIONAL EXTENSION KIT



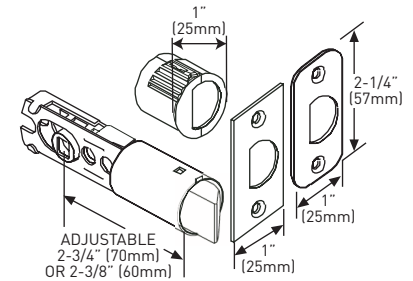
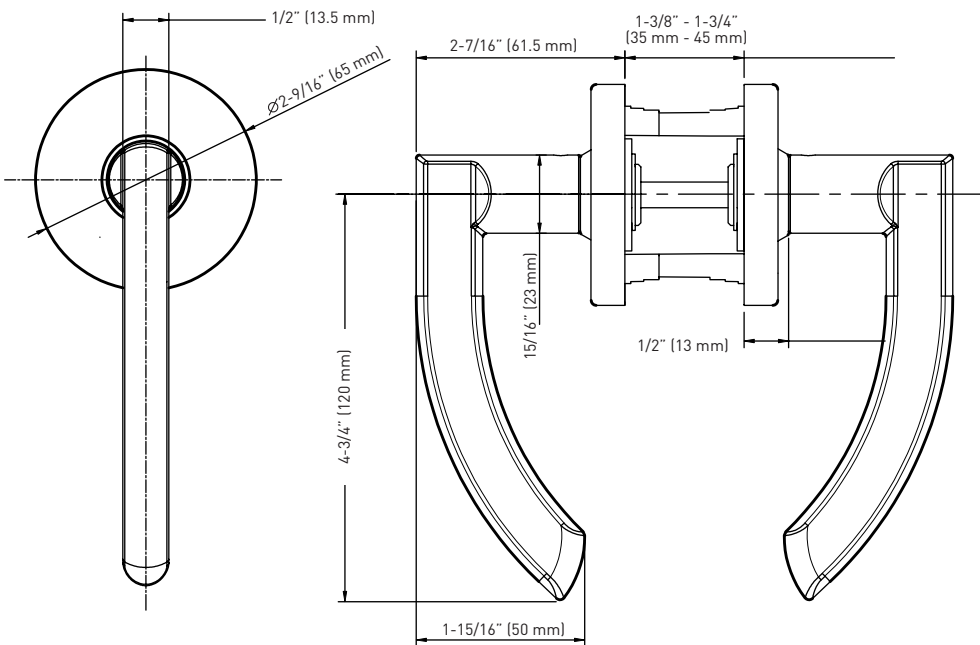
20 MINUTE OPTIONAL FIRE RATING



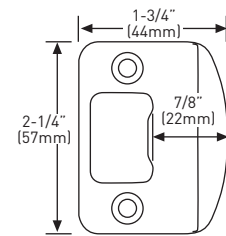
REVERSIBLE



MEETS ADA STANDARDS



6-IN-1 PRIVACY/PASSAGE LATCH



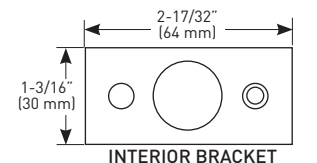
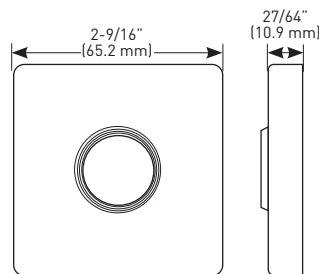
FULL LIP RADIUS STRIKE

BUILDER PACK	SATIN NICKEL 15	POLISHED CHROME 26	CASE QTY
Privacy	30-D006624SN	30-D006624PC	20
Passage	30-D006634SN	30-D006634PC	20
Dummy	30-664SN	30-664PC	20

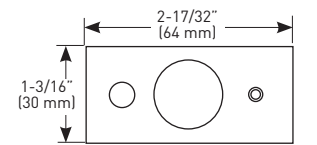
#### SQAURE ROSE KIT OPTION



#### SQUARE CONTEMPORARY ROSE KIT



INTERIOR BRACKET



EXTERIOR BRACKET

BUILDER PACK	SATIN NICKEL 15	POLISHED CHROME 26	CASE QTY
Privacy	30-SQR0024SN	30-SQR0024PC	10
Passage	30-SQR0034SN	30-SQR0024PC	10
Dummy/Inside trim	30-SQR0044SN	30-SQR0024PC	10

MEASUREMENTS SUBJECT TO A 3% VARIANCE

MEASUREMENTS ARE FOR REFERENCE ONLY. TAYMOR RESERVES THE RIGHT TO CHANGE THE PRODUCT SPECS WITHOUT NOTICE. FOR PRODUCT WARRANTY, PLEASE VISIT TAYMOR WEBSITE FOR DETAILS

