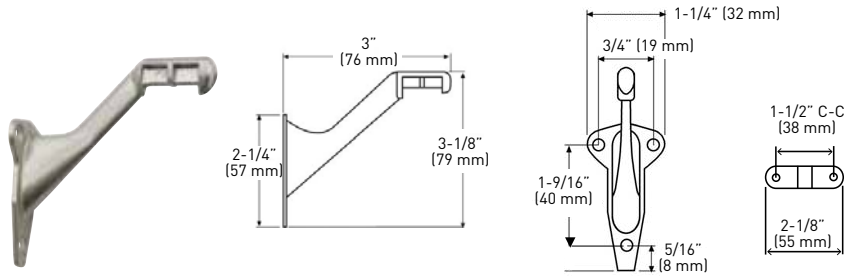


## HANDRAIL BRACKETS

### STANDARD DUTY HANDRAIL BRACKET

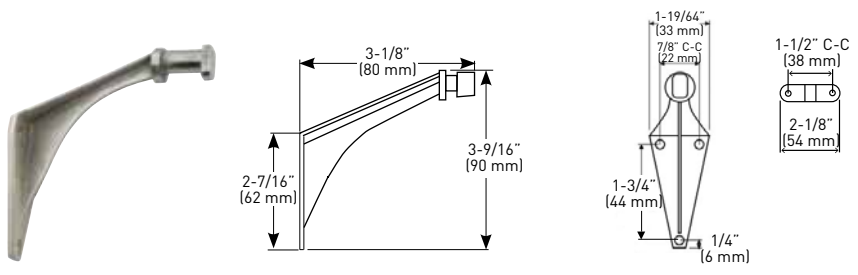
- PROJECTION FROM WALL IS 3" (76 mm)
- ZINC DIECAST CONSTRUCTION
- FASTENER AND SCREWS INCLUDED



POLY BAGGED WITH UPC	10B OIL RUBBED BRONZE	15 SATIN NICKEL	NICKEL	26D SATIN CHROME	CASE PACK
HANDRAIL BRACKET	25-P63500RB	25-P6350SN	25-P6350N	25-P6350SC	50

### DELUXE HANDRAIL BRACKET

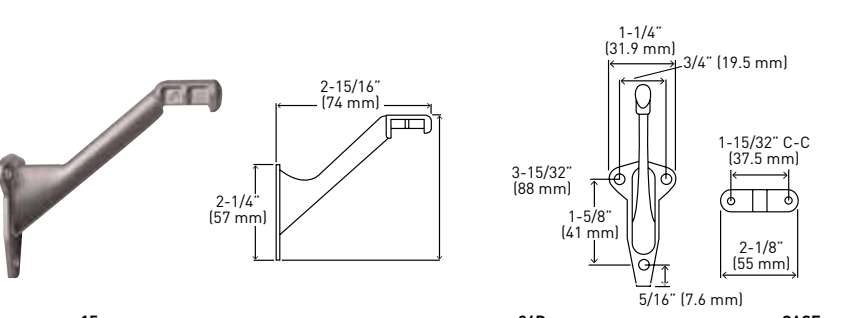
- PROJECTION FROM WALL IS 3-1/16" (78 mm)
- ZINC DIECAST CONSTRUCTION
- FASTENER AND SCREWS INCLUDED



POLY BAGGED WITH UPC	10B OIL RUBBED BRONZE	15 SATIN NICKEL	CASE PACK
DELUXE HANDRAIL BRACKET	25-63900RB	25-6390SN	50

### HEAVY DUTY HANDRAIL BRACKET

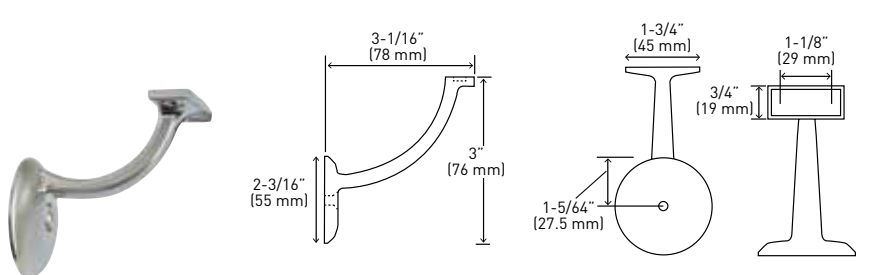
- PROJECTION FROM WALL IS 2-15/16" (74 mm)
- ZINC DIECAST CONSTRUCTION
- FASTENER AND SCREWS INCLUDED



POLY BAGGED WITH UPC	15 SATIN NICKEL	26D SATIN CHROME	CASE PACK
HANDRAIL BRACKET	25-6380SN	25-6380SC	50

### HEAVY DUTY HANDRAIL BRACKET

- PROJECTION FROM WALL IS 3-1/16" (78 mm)
- ZINC DIECAST CONSTRUCTION
- COMPLETE WITH SCREWS



POLY BAGGED WITH UPC	15 SATIN NICKEL	NICKEL	CASE PACK
HANDRAIL BRACKET	25-6370SN	25-6370N	50

