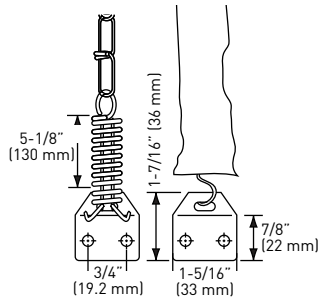


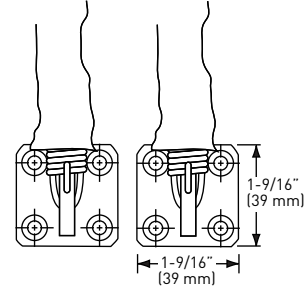
RESIDENTIAL HARDWARE

CRASH CHAINS



A. STANDARD DUTY CRASH CHAIN

- › Steel construction
- › With grey vinyl cover
- › Single compression spring at one end
- › Complete with screws
- › 25" (63.5 cm)



B. HEAVY DUTY CRASH CHAIN

- › Steel construction
- › With grey vinyl cover
- › Solid twisted chain
- › Heavy duty compression springs at both ends
- › Complete with fully threaded wood screws
- › 30" (762 mm)

POLY BAGGED WITH UPC

	A.	CASE PACK	B.	CASE PACK
ZINC	25-4852U	100	25-4860U30	36