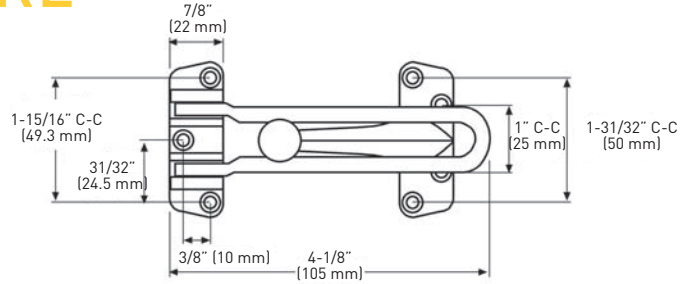
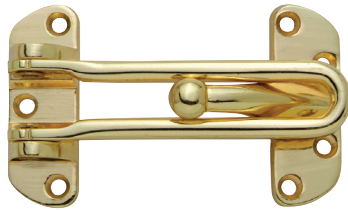


RESIDENTIAL HARDWARE

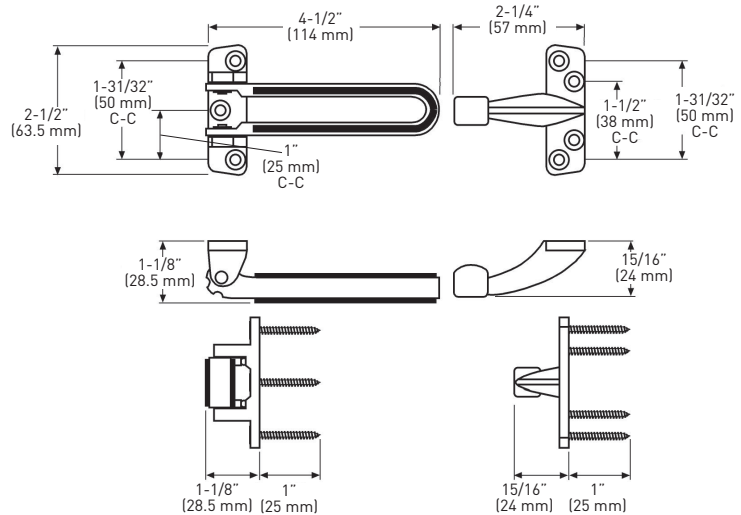
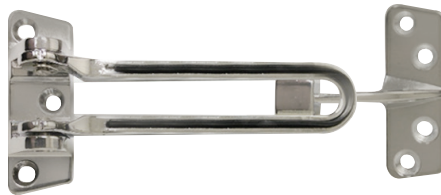
DOOR SECURITY



DOOR GUARD

- ZINC DIECAST CONSTRUCTION
- ALLOWS PARTIAL DOOR OPENING WHILE DETERING FORCED ACCESS
- COMPLETE WITH SCREWS

	3 POLISHED BRASS	26 POLISHED CHROME	DULL CHROME	CASE PACK
POLY BAGGED WITH UPC				
DOOR GUARD	25-3090B	25-3090PC	25-3090DC	10



BUMPER DOOR GUARD

- HEAVY METAL DIECAST WITH BLACK RUBBER INSERT TO PROTECT SURFACES
- 3 POSITIONS; ALLOWS FOR PARTIAL DOOR OPENING
- COMPLETE WITH SCREWS

	26 POLISHED CHROME	26D SATIN CHROME	CASE PACK
POLY BAGGED WITH UPC			
BUMPER DOOR GUARD	37-3081PC	37-3081SC	25

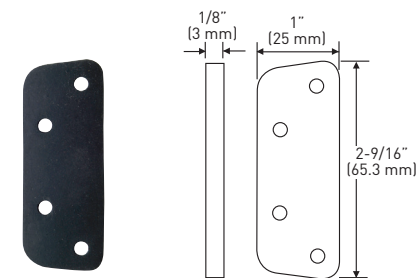
DOOR GUARD SHIM

- FOR USE WITH 25-3090 OR 37-3081 DOOR GUARD
- FITS UNDERNEATH DOOR GUARD SECTION WHICH ATTACHES TO DOOR, MAKING IT LEVEL WITH DOOR JAMB

	BLACK RUBBER	CASE PACK
POLY BAGGED WITH UPC		
3 mm (1/8") THICK	25-3081	50

DOOR FRAME PROTECTOR

- PROTECTS DOOR FRAME FROM OPEN ARM OF DOOR GUARD
- ALUMINUM



	3 POLISHED BRASS	DULL CHROME	CASE PACK
POLY BAGGED WITH UPC			
DOOR FRAME PROTECTOR	25-B3082B	25-B3082DC	50

