

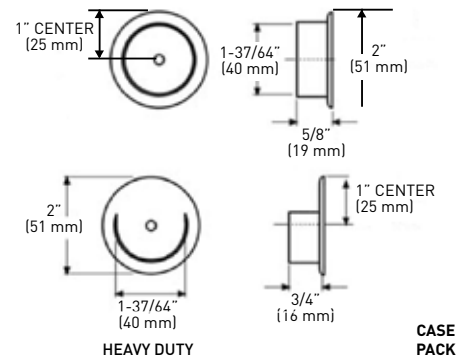
### CLOSET & CABINET HARDWARE

#### POLE SOCKET SET

- > 1-3/8" (35 mm) DIAMETER
- > COMPLETE WITH MOUNTING HARDWARE
- > SOLD IN PAIRS



POLY BAGGED WITH UPC



HIGH IMPACT POLYETHYLENE

25-2820

HEAVY DUTY

25-2830

CASE PACK

500

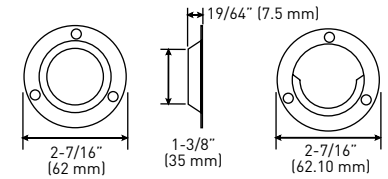
#### STEEL POLE SOCKET SET

- > 1-3/8" (35 mm) DIAMETER
- > COMPLETE WITH MOUNTING HARDWARE
- > SOLD IN PAIRS



POLY BAGGED WITH UPC

POLISHED BRASS



POLE SOCKET SET

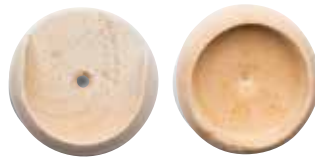
25-2820MPB

CASE PACK

500

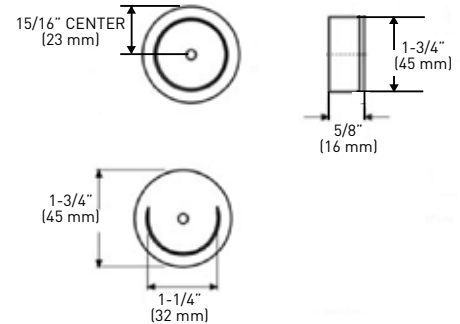
#### WOOD POLE SOCKET SET

- > 1-3/8" (35 mm) DIAMETER
- > COMPLETE WITH MOUNTING HARDWARE
- > SOLD IN PAIRS



POLY BAGGED WITH UPC

WOOD



WOOD POLE SOCKET SET

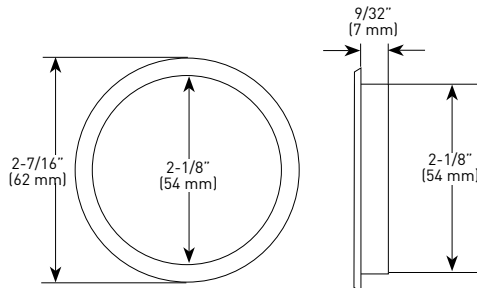
25-2540

CASE PACK

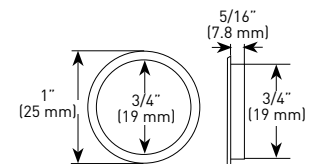
500



A. 2-1/8" DIA. FINGER PULL



B. 3/4" DIA. PULLS



#### DOOR PULLS

- > STEEL CONSTRUCTION
- > FOR USE ON SLIDING DOORS AND PANELS
- > PRESSURE FIT - SCREWS OR ESCUTCHEON PINS ARE NOT REQUIRED FOR INSTALLATION

POLY BAGGED WITH UPC

|                          | 3<br>POLISHED<br>BRASS | 10B<br>OIL RUBBED<br>BRONZE | 15<br>SATIN<br>NICKEL | 19<br>MATTE<br>BLACK | 26<br>POLISHED<br>CHROME | 26D<br>SATIN<br>CHROME | CASE<br>PACK |
|--------------------------|------------------------|-----------------------------|-----------------------|----------------------|--------------------------|------------------------|--------------|
| A. 2-1/8" DIA. DOOR PULL | 25-L2900B              | 20-L2900RB                  | 20-L2900SN            | 20-L2900BLK          | 25-L2900PC               | 20-L2900SC             | 150          |
| BULK PACK                |                        |                             |                       |                      |                          |                        |              |
| B. 3/4" DIA. DOOR PULL   | -                      | 20-27000RB                  | 20-2700SN             |                      | 20-2700PC                | -                      | 100          |