

# Taymor® | P R O D U C T SPECIFICATIONS

## FEATURES

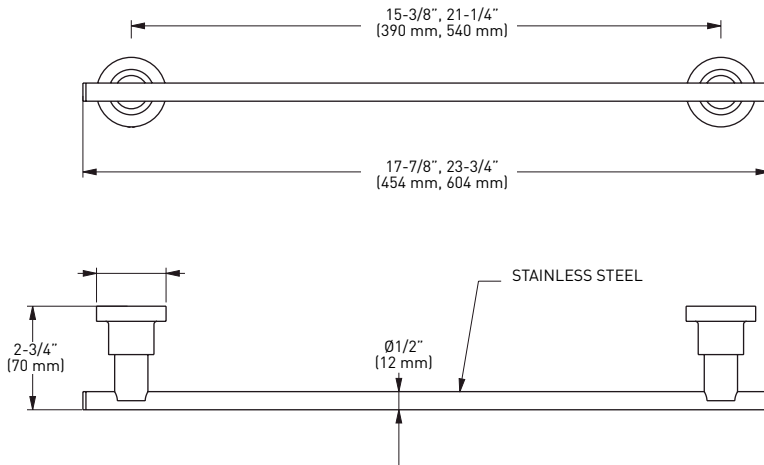
- INCLUDES MOUNTING PLATES: 1" x 1-3/8" (26 mm x 35 mm); NYLON ANCHORS AND STEEL PHILLIPS HEAD SCREWS: #8 x 1-3/8" (35 mm)
- SOLID ZINC DIE-CAST CONSTRUCTION (POSTS)



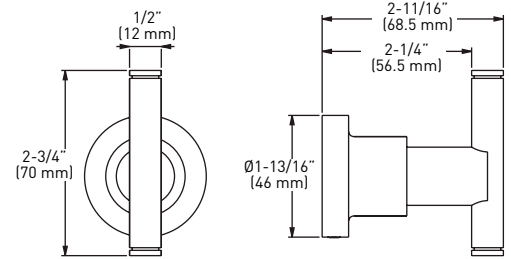
## NORTHERN LIGHTS



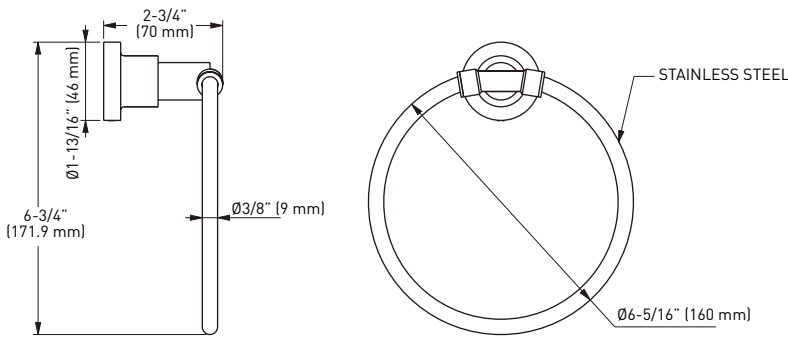
### TOWEL BAR



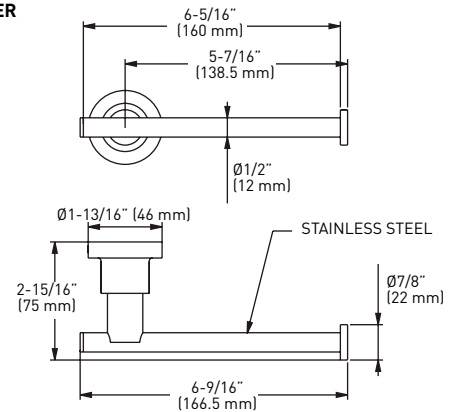
### SINGLE ROBE HOOK



### TOWEL RING



### PAPER HOLDER



MEASUREMENTS SUBJECT TO A 3% VARIANCE.

RETAIL PACK	POLISHED CHROME 26	MATERIAL	CASE PACK
18" TOWEL BAR	02-D33118	ZINC/STAINLESS STEEL	4
24" TOWEL BAR	02-D33124	ZINC/STAINLESS STEEL	4
SINGLE ROBE HOOK	02-D33101	ZINC	4
TOWEL RING	02-D33104	ZINC/STAINLESS STEEL	4
PAPER HOLDER	02-D33148	ZINC/STAINLESS STEEL	4