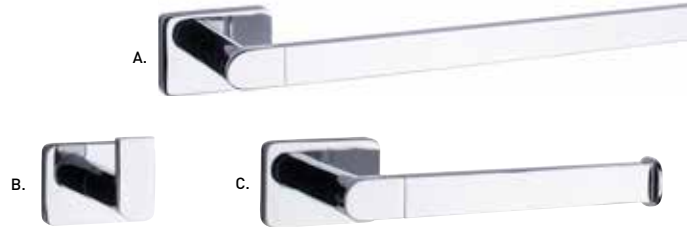


FEATURES

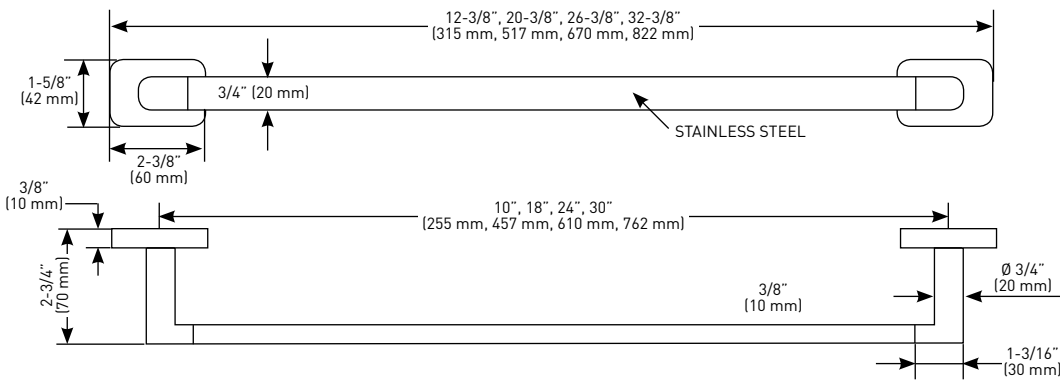
- › APPLICATION: SINGLE-FAMILY RESIDENTIAL BUILDINGS, MULTI-FAMILY RESIDENTIAL BUILDINGS
- › INCLUDES MOUNTING PLATES: 2" x 1-3/16" (50 mm x 30 mm); NYLON ANCHORS AND STEEL PHILLIPS HEAD SCREWS: #8 x 1-1/4" (32 mm)
- › SOLID ZINC DIE-CAST CONSTRUCTION (POSTS)



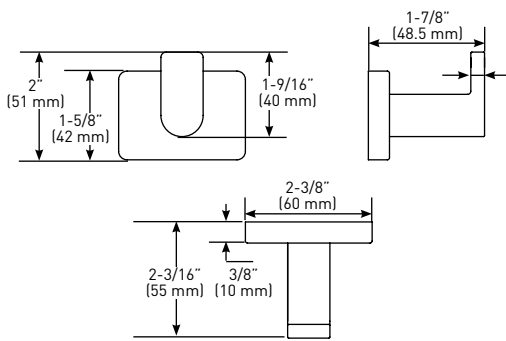
LIMITED LIFETIME WARRANTY



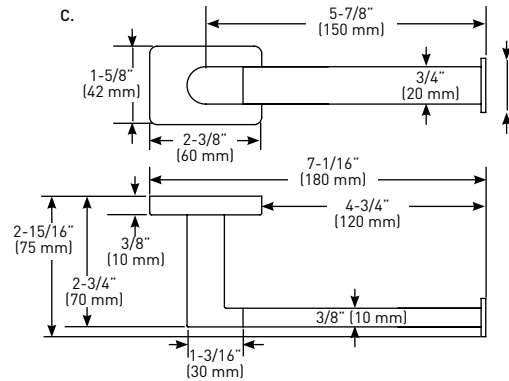
A.



B.



C.



MEASUREMENTS SUBJECT TO A 3% VARIANCE.

DESCRIPTION	MATERIAL	RETAIL PACK		BUILDER PACK	
		POLISHED CHROME 26	CASE QTY.	POLISHED CHROME 26	CASE QTY.
A. 10" HAND TOWEL BAR	ZINC/STAINLESS STEEL	02-D32110	4	04-32110	10
18" TOWEL BAR	ZINC/STAINLESS STEEL	02-D32118	4	04-32118	10
24" TOWEL BAR	ZINC/STAINLESS STEEL	02-D32124	4	04-32124	10
30" TOWEL BAR	ZINC/STAINLESS STEEL			04-32130	10
B. SINGLE ROBE HOOK	ZINC	02-D32101	4	04-32101	10
C. PAPER HOLDER	ZINC/STAINLESS STEEL	02-D32148	4	04-32148	10

