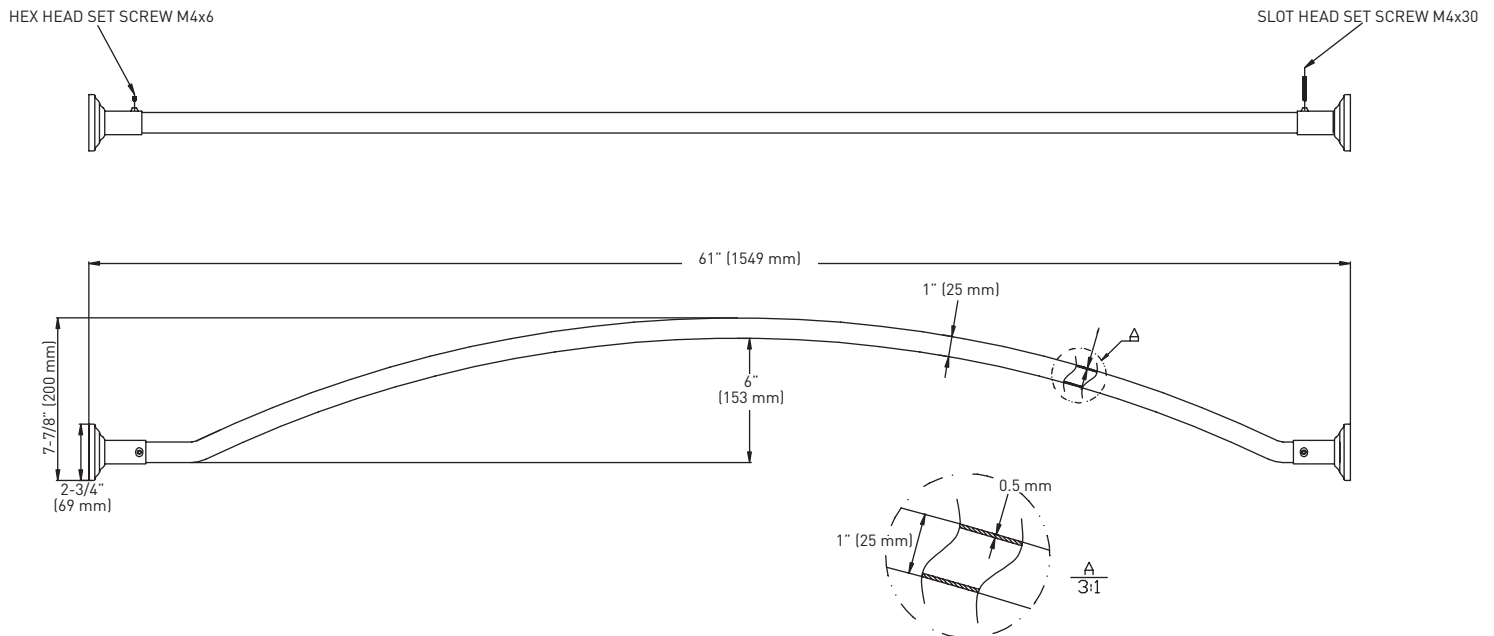


FEATURES

- › CONCEALED MOUNT
- › STANDARD 1" OUTSIDE TUBE DIAMETER
- › STAINLESS STEEL CONSTRUCTION
- › FLANGES INCLUDED



LIMITED LIFETIME WARRANTY



MEASUREMENTS ARE FOR REFERENCE ONLY. TAYMOR RESERVES THE RIGHT TO CHANGE THE PRODUCT SPECS WITHOUT NOTICE. FOR PRODUCT WARRANTY, PLEASE VISIT TAYMOR WEBSITE FOR DETAILS.

DESCRIPTION BUILDER PACK	10B OIL RUBBED BRONZE	15 SATIN NICKEL	26 POLISHED CHROME	ROD GAUGE	CASE PACK
CURVED SHOWER ROD	01-C6289ORB	01-C6289SN	01-C6289	25	10