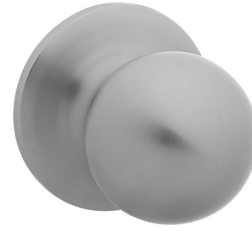


SPECIFICATIONS

- SOLID METAL CONSTRUCTION
- 4-IN-1 ADJUSTABLE LATCH FOR DRIVE-IN AND RADIUS MORTISE INSTALLATIONS WITH ADJUSTABLE BACKSET: 2-3/8" (60 mm) – 2-3/4" (70 mm)
- FITS STANDARD DOOR THICKNESS: 1-3/8" (35 mm) – 1-3/4" (45 mm)
- STANDARD BORE HOLES: 2-1/8" (54 mm)
- 1-3/4" x 2-1/4" FULL LIP CORNER RADIUS "D" STRIKE



GRADE
3

ANSI GRADE 3



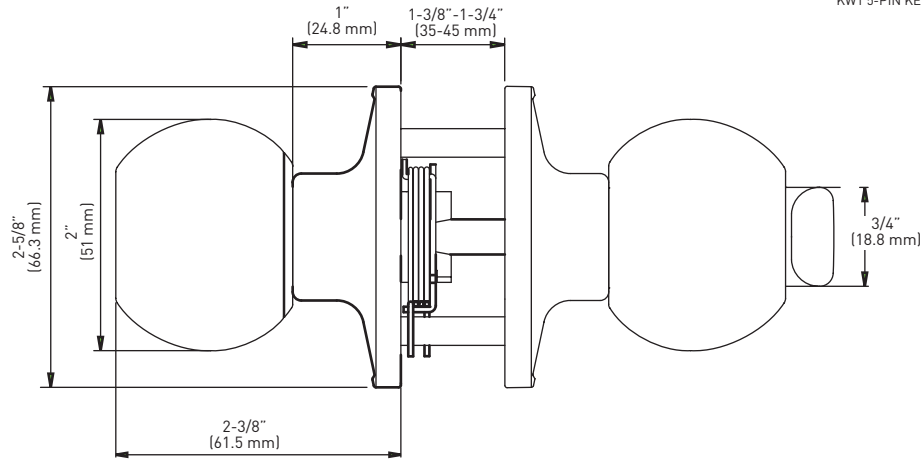
LIFETIME MECHANICAL WARRANTY & 5 YEAR FINISH WARRANTY



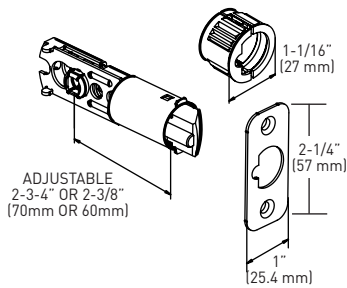
FULL KEYING SERVICES AVAILABLE
KW1 5-PIN KEYWAY



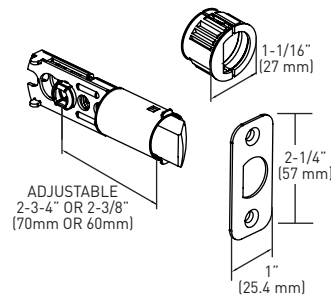
20 MINUTE
OPTIONAL
FIRE RATING



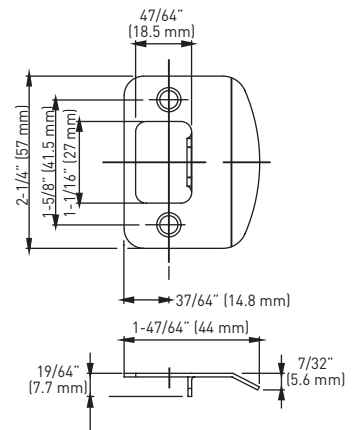
4-IN-1 ENTRY LATCH



4-IN-1 PRIVACY/PASSAGE LATCH



FULL LIP RADIUS CORNER "D" STRIKE



MEASUREMENTS SUBJECT TO A 3% VARIANCE

MEASUREMENTS ARE FOR REFERENCE ONLY. TAYMOR RESERVES THE RIGHT TO CHANGE THE PRODUCT SPECS WITHOUT NOTICE. FOR PRODUCT WARRANTY, PLEASE VISIT TAYMOR WEBSITE FOR DETAILS.

BUILDER PACK	ENTRY - KD	PRIVACY	PASSAGE	INSIDE TRIM	DUMMY	CASE QTY.
SATIN NICKEL 15	36-RD4410SN	36-RD4403SN	36-RD4405SN	36-RD4408SN	36-RD4407SN	20

