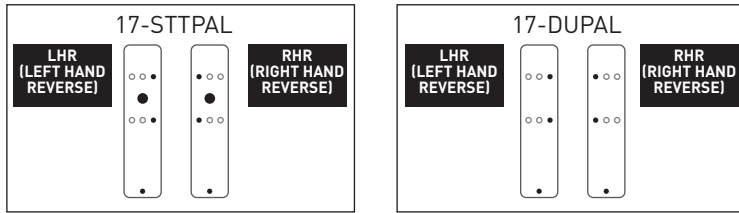


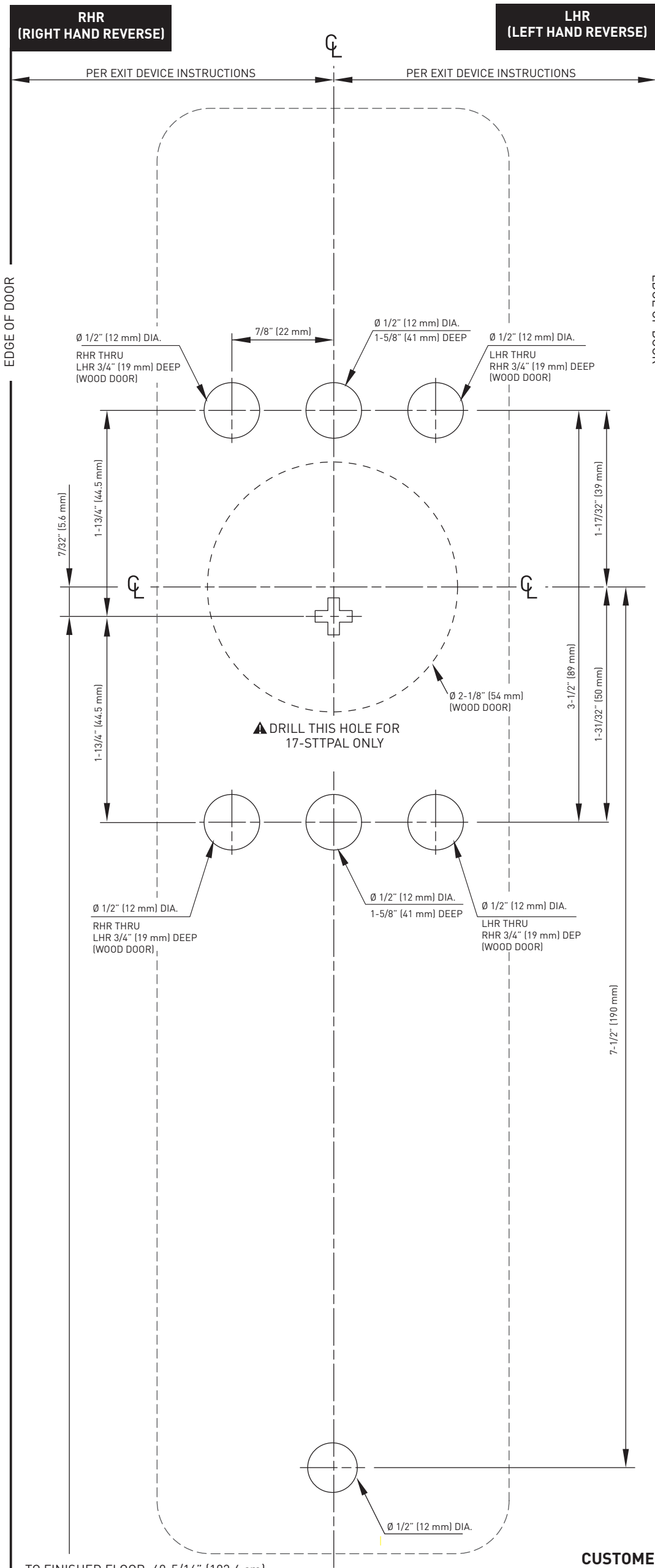
# INSTALLATION INSTRUCTIONS

## 17-STTPAL/17-DUPAL 8500/9700 SERIES OUTSIDE THUMBPIECE TRIM

Taymor

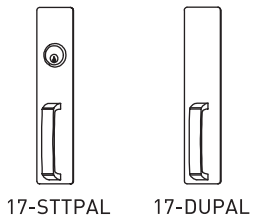


● THRU HOLES  
○ NON-THRU HOLES  
see template requirement for wood door



▲ DRILL THIS HOLE FOR 17-STTPAL ONLY

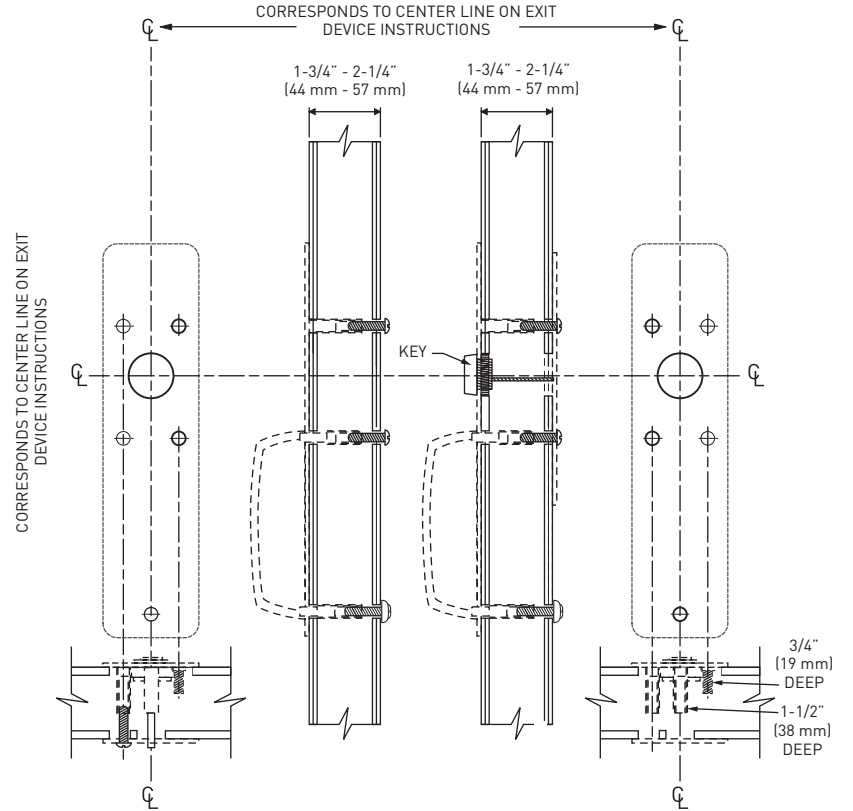
TO FINISHED FLOOR: 40-5/16" (102.4 cm)



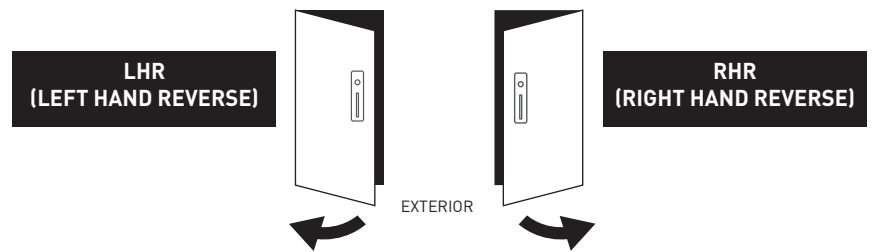
### INSTALLATION

1. Prepare door for exit device. See the exit device instructions.
2. Prepare the door for trim.

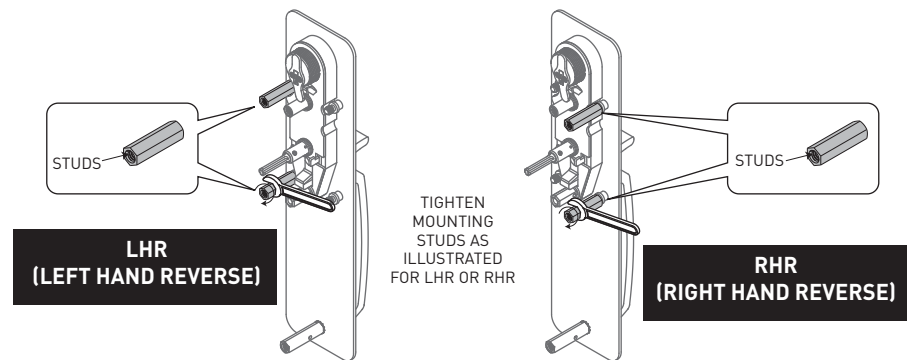
- A. Transfer vertical and horizontal center lines from the inside (exit device side) of door to outside (trim side) of the door. Use extra care if the end of the door is bevelled.



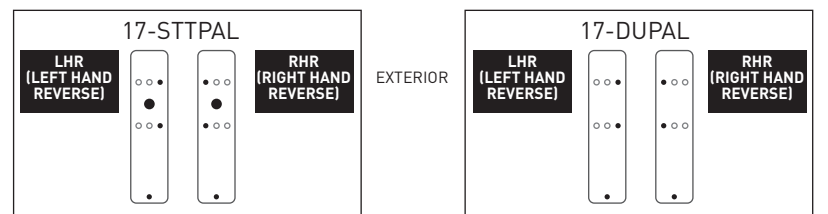
- B. Define the trim for RHR or LHR door installation.



- C. Setting the trim for RHR or LHR by fixing the mounting studs as illustrated.



- D. Locate and prepare the holes according for 17-STTPAL or 17-DUPAL according for RHR or LHR door installation. Use extra care on non-thru holes preparation for wood door.



● THRU HOLES ○ NON-THRU HOLES  
see template requirement for wood door

- E. Apply exit device and thru-bolt to trim and fix screw with washer onto lower trim mounting stud.

