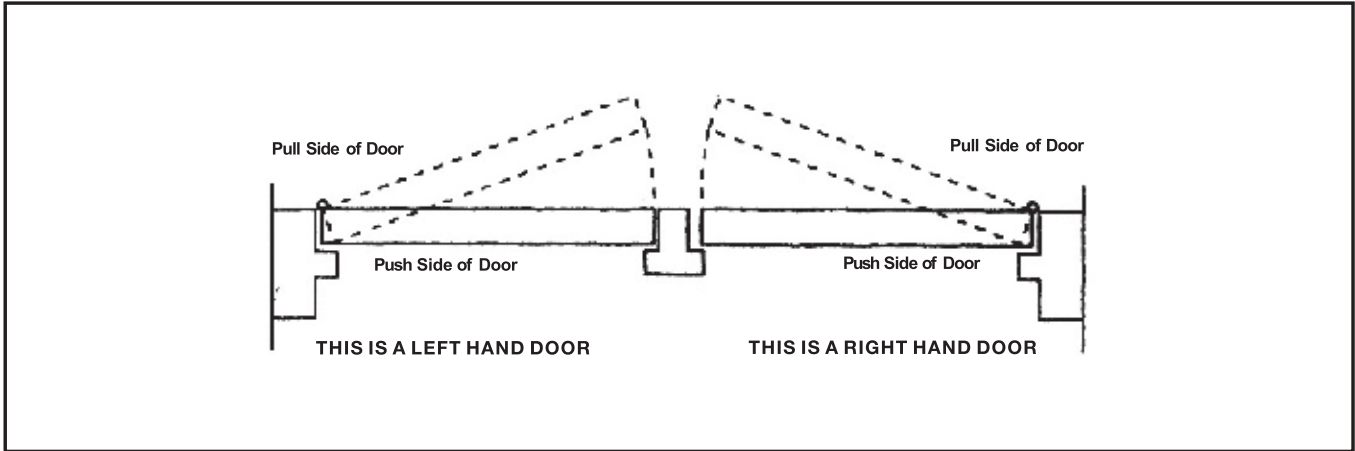


# DOOR CLOSER

600/620/1690/690 INSTALLATION INSTRUCTIONS  
NO HOLD-OPEN

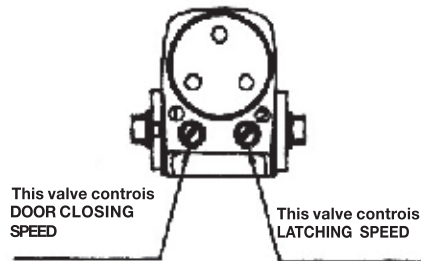
## ■ CHART TO DETERMINE HAND OF DOOR



## ■ FINAL ADJUSTMENT AND REGULATING PROCEDURES

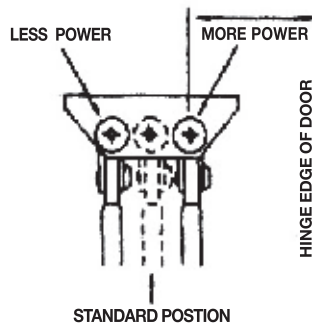
### TO REGULATE DOOR CLOSING SPEED AND LATCHING SPEED

Turn appropriate Speed Regulating valve (as illustrated) clockwise to slow down or counter clockwise to speed up as desired.



### ADJUSTING ARM SHOE FOR CLOSING POWER

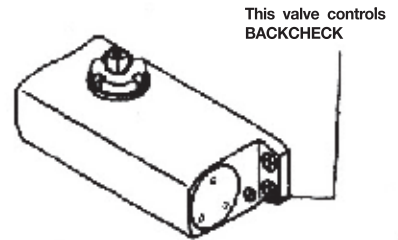
Move foot pivot to hole as illustrated below



### FOR MODELS HAVING BACK CHECK

The intensity of Backcheck Action is regulated, by valve as shown. Turn clockwise to increase—or counter clockwise to decrease checking.

CAUTION: SET VALVE FOR A SLIGHT CUSHIONING EFFECT IT IS DAMAGING TO THE CLOSER IF THE CHECKING ACTION IS TOO ABRUPT. BACKCHECK SHOULD NEVER BE USED IN LIEU OF A DOOR STOP



CUSTOMER SERVICE

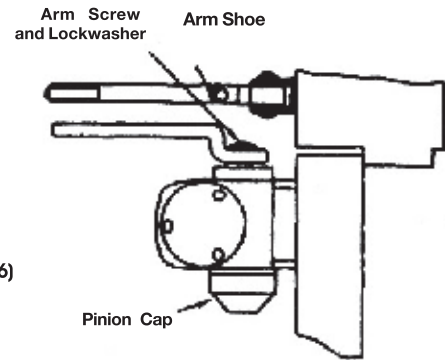
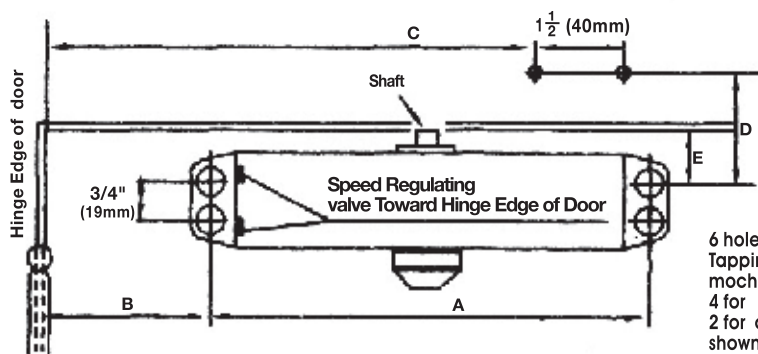
USA 1-800-388-988

[taymor.com](http://taymor.com)

© REGISTERED TRADEMARK OF TAYMOR INDUSTRIES LTD.

# STANDARD INSTALLATION CLOSER MOUNTED ON DOOR ON PULL SIDE

THIS ILLUSTRATION COVERS REGULAR ARM INSTALLATIONS TO 180° OPENINGS



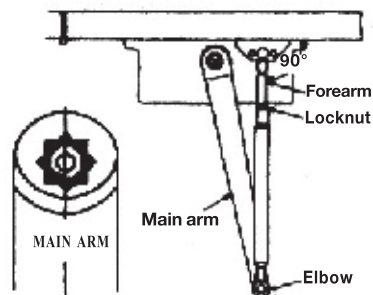
6 holes for #14 Tapping  $\frac{1}{4}$ -20 (M6) machine screws: 4 for closer and 2 for arm shoe as shown.

RIGHT HAND DOOR ILLUSTRATED.  
Same dimensions apply for left Hand Door measured from hinge edge.

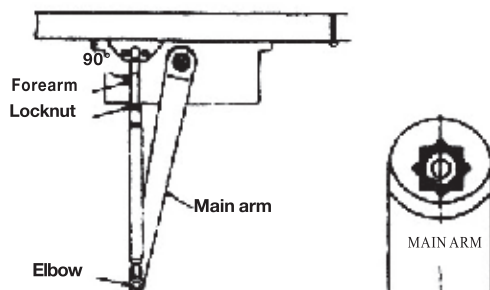
## INSTALLING DIMENSIONS

DIMENSIONS MOOERES	MAXIMUM DOOR WEIGHT LBS(kg)	A	FOR OPENING TO 120°		FOR OPENING TO 120°-180°		D	E
			B	C	B	C		
602 622	99LBS (45 Kg)	6 5/8" (168 mm)	3 3/4" (95 mm)	9 7/16" (240mm)	2 9/16" (65 mm)	8 1/4" (210 mm)	2 1/4" (57 mm)	7/8" (22 mm)
603 623 693 (BC)	132 LBS (60 Kg)	8 1/8" (206 mm)	4 5/16" (110 mm)	10 5/8" (270 mm)	3 1/8" (80 mm)	9 7/16" (240 mm)	2 1/4" (57 mm)	1" (25 mm)
604 624 694 (BC)	176 LBS (80 Kg)	9 1/16" (230 mm)	4 5/16" (110 mm)	10 5/8" (270 mm)	3 1/8" (80 mm)	9 7/16" (240 mm)	2 1/4" (57 mm)	1" (25 mm)
695 (BC)	220 LBS (100 Kg)	9 1/16" (230 mm)	4 5/16" (110 mm)	10 5/8" (270 mm)	3 1/8" (80 mm)	9 7/16" (240 mm)	2 1/4" (57 mm)	1" (25 mm)

## POSITION OF ARMS AND INDEX SETTINGS



Right hand door  
ILLUSTRATION "A"



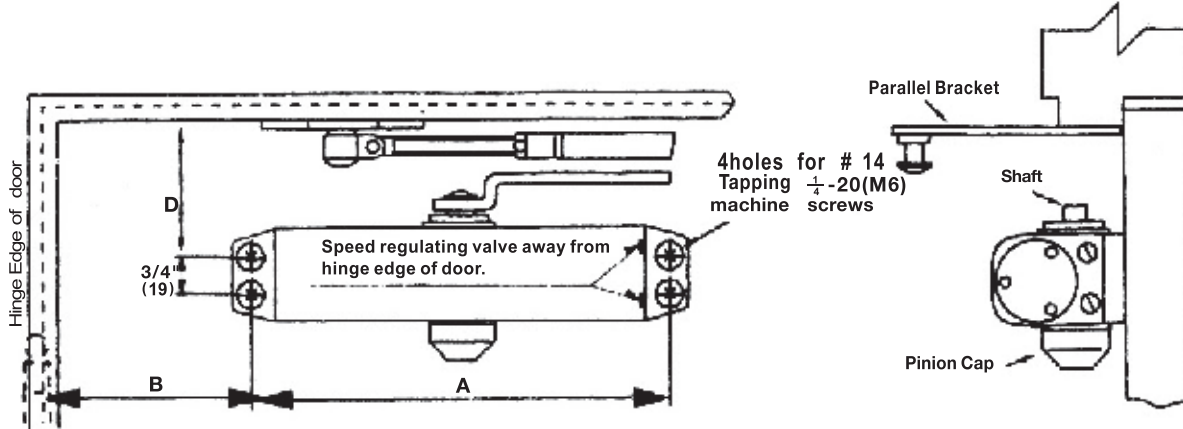
Left hand door  
ILLUSTRATION "B"

## INSTALLATION INSTRUCTIONS

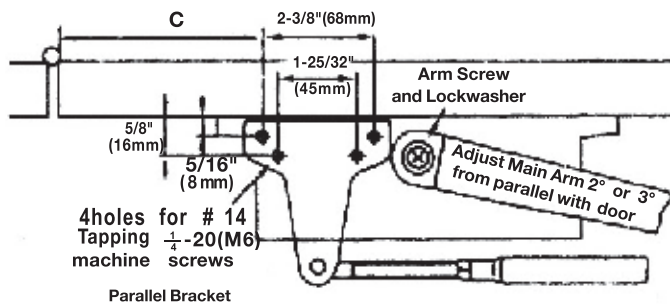
1. Select degree of opening and use dimensions shown in above chart to mark four holes on door for closer and two holes on frame for armshoe.
2. Drill pilot holes in door and frame for #14 Tapping screws or drill and tap for 1/4-20 (M6) machine screws.
3. Mount closer on door WITH SPEED REGULATING VALVE TOWARD HINGE EDGE.
4. Place main arm on shaft on top of closer at proper index mark as illustrated. FOR RIGHT HAND DOOR (Illustration "A") FOR LEFT HAND DOOR (Illustration "B"). Tighten arm screw with lockwasher securely.
5. Attach the arm shoe of the forearm to the frame.
6. Adjust length of forearm so when it is attached to main arm it will be at a right angle (90°) to door when door is closed and assemble at elbow then tighten locknut.
7. Snap pinion cap over shaft at bottom of closer.

# PARALLEL ARM INSTALLATION CLOSER MOUNTED ON DOOR ON PUSH SIDE

THIS ILLUSTRATION COVERS REGULAR PARALLEL ARM INSTALLATIONS TO 180° OPENINGS.



**LEFT HAND DOOR ILLUSTRATED.**  
Same dimensions apply for Right Hand Door  
measured from hinge edge.



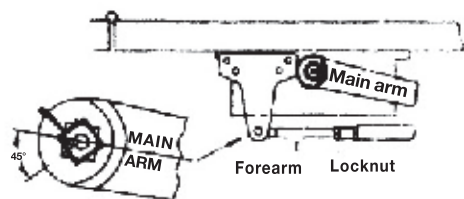
## INSTALLATION INSTRUCTIONS

1. Select degree of opening and use dimensions shown in above chart to mark four holes on door for closer and four holes on frame for parallel bracket.
2. Drill pilot holes in door and frame for # 14 Tapping screws or drill and tap for 1/4-20 (M6) machine screws.
3. Mount closer on door WITH SPEED REGULATING VALVE AWAY FROM HINGE EDGE.
4. Attach parallel bracket to door stop as illustrated.
5. Using a wrench on the square shaft at bottom of closer, rotate shaft approximately 45° toward hinge edge of door. Hold and place main arm on shaft on top of closer at proper index mark as illustrated. FOR LEFT HAND DOOR (Illustration "A"). FOR RIGHT HAND DOOR (Illustration "B"). Tighten arm screw with lockwasher securely.
6. Remove the arm shoe from the forearm (arm shoe is not used in this application) and place forearm on parallel bracket stud and tighten screw securely.
7. Adjust length of forearm so when it is attached to main arm, the main arm will be slightly away from parallel with closed door, and assemble at elbow then tighten locknut.
8. Snap pinion cap over shaft at bottom of closer.

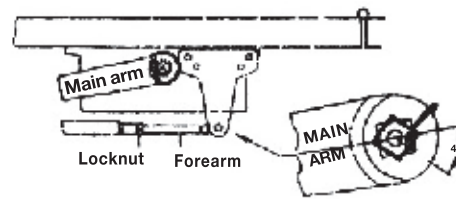
## INSTALLING DIMENSIONS

DIMENSIONS	MAXIMUM DOOR WEIGHT LBS(Kg)	A	B	C	D
MOOERES					
602	99LBS	6 5/8"	3 9/16"	4 3/4"	2 3/4"
622	(45 Kg)	(188 mm)	(90 mm)	(120 mm)	(70 mm)
603	132 LBS	8 1/8"	5 1/2"	8 11/18"	2 3/4"
623	(60 Kg)	(206 mm)	(140 mm)	(170 mm)	(70 mm)
693 (BC)					
604	176 LBS	9 1/16"	4 3/4"	6 11/18"	2 3/4"
624	(80 Kg)	(230 mm)	(120 mm)	(170 mm)	(70 mm)
694 (BC)					
695 (BC)	220 LBS	9 1/16"	4 3/4"	6 11/18"	2 3/4"
	(100 Kg)	(230 mm)	(120 mm)	(170 mm)	(70 mm)

## POSITION OF ARMS AND INDEX SETTINGS



Left hand door  
ILLUSTRATION "A"

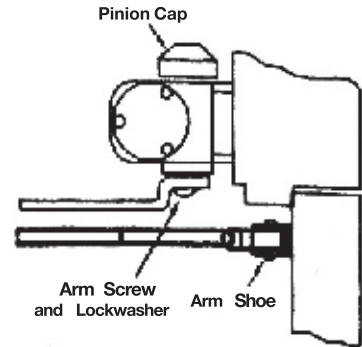
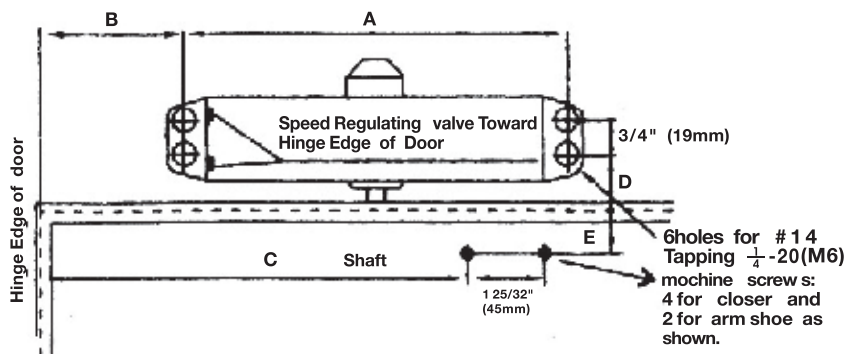


Right hand door  
ILLUSTRATION "B"

# TOP JAMB INSTALLATION CLOSER MOUNTED ON TOP JAMB ON PUSH SIDE OF DOOR

THIS ILLUSTRATION COVERS REGULAR ARM INSTALLATIONS TO 180° OPENINGS.

Reveals of 2-3/4" (70mm) to 5" (127 mm) require "long Top Jamb" Forearm Extender Accessory and must be ordered extra.



LEFT HAND DOOR ILLUSTRATED.  
Same dimensions apply for Right Hand Door measured from hinge edge.

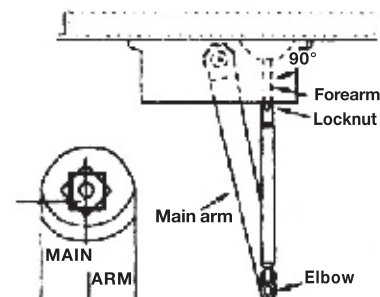
### INSTALLING DIMENSIONS

DIMENSIONS MODELS	MAXIMUM DOOR WEIGHT LBS(kg)	A	FOR OPENING TO 120°		FOR OPENING TO -180°		D	E
			B	C	B	C		
602	100LBS (45kg)	6 5/8" (168mm)	3 3/4" (95mm)	9 7/16" (240mm)	2 9/16"	8 5/16"	7/8" (22mm)	1 3/8" (35mm)
622					(65mm)	(210mm)		
603	132LBS(60kg)	8 1/8" (206mm)	4 5/16" (110mm)	10 5/8" (270mm)	3 5/32"	9 7/16"	7/8" (22mm)	1 3/8" (35mm)
623					(80mm)	(240mm)		
693(BC)								
604	175LBS(80kg)	9 1/16" (230mm)	4 5/16" (110mm)	10 5/8" (270mm)	3 5/32"	9 7/16"	7/8" (22mm)	1 3/8" (35mm)
624					(80mm)	(240mm)		
694(BC)								
695(BC)	225LBS(100kg)	9 1/16"(230mm)	4 5/16"(110mm)	10 5/8"(270mm)	3 5/32"(80mm)	9 7/16"(240mm)	7/8"(22mm)	1 3/8"(35mm)

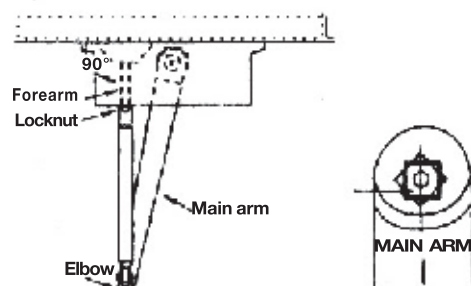
### INSTALLATION INSTRUCTIONS

1. Select degree of opening and use dimensions shown in above chart to mark four holes on frame for closer and two holes on door for arm shoe.
2. Drill pilot holes in door and frame for # 14 Tapping screws or drill and tap for 1/4-20(M6) machine screws.
3. Mount closer on frame WITH SPEED REGULATING VALVE TOWARD HINGE EDGE.
4. Place main arm on shaft on bottom of closer at proper index mark as illustrated. FOR LEFT HAND DOOR (Illustration "A") FOR RIGHT HAND DOOR (Illustration "B"). Tighten arm screw with lockwasher securely.
5. Attach the arm shoe of the forearm to the door.
6. Adjust length of forearm so when it is attached to main arm it will be at a right angle (90°) to door when door is closed and assemble at elbow then tighten locknut.
7. Snap pinion cap over shaft at top of closer.

### POSITION OF ARMS AND INDEX SETTINGS



Left hand door  
ILLUSTRATION "A"



Right hand door  
ILLUSTRATION "B"