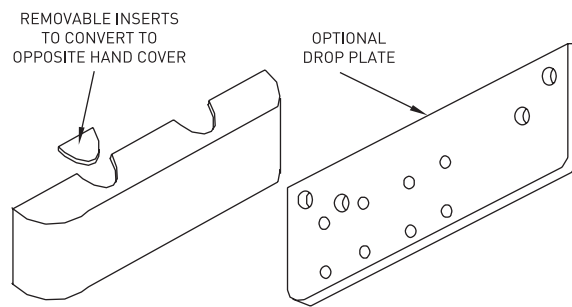
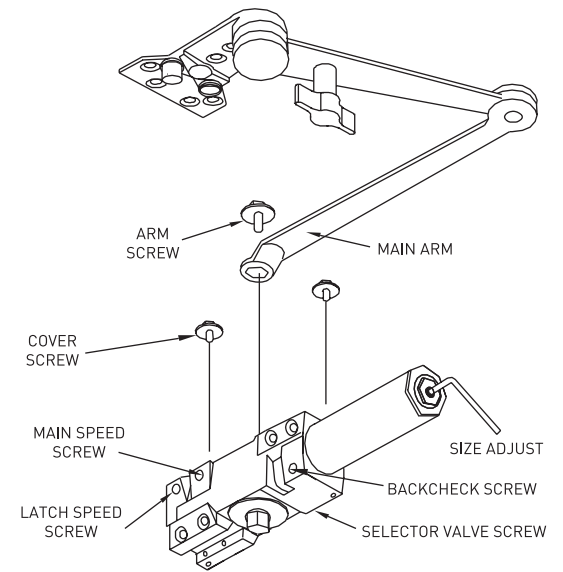
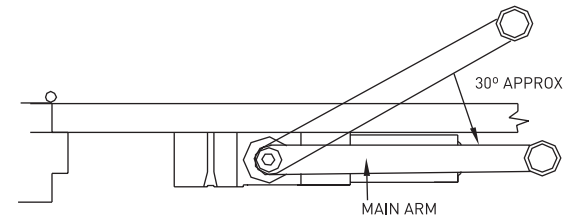


INSTALLATION & ADJUSTMENT INSTRUCTIONS

NOTE:

- The illustration shown below is for a LEFT HAND DOOR. Mirror instructions for RIGHT HAND DOOR.



CAUTION

IMPROPER INSTALLATION OR REGULATION MAY RESULT IN PERSONAL INJURY OR PROPERTY DAMAGE. PLEASE FOLLOW ALL INSTRUCTIONS CAREFULLY.

- Before Installation, turn backcheck selector valve (found on opposite side of closer from backcheck screw side) CLOCKWISE.
- Adjust spring power to match door width as indicated on the chart on page 1.
- Select proper templating on page 2 or 3 based on required degree of opening / dead stop. The closer and arm holes must be located for same degree of opening / dead stop. Drill and / or tap mounting holes in door and head jamb.
- Attach complete arm to closer as shown on left. Arm will be at about 30° angle to closer body. Fasten with arm shaft screw. The arm will appear to be in an incorrect position. This is to accommodate the pre-load required for parallel arm mounted door closer.
- Mount closer on door using fasteners provided. Note: Arm will provide some resistance.
- Swing door open about 45° and mount shoe to frame stop per proper templating on page 2 or 3. Be sure to install the "fifth" screw. If stop is not wide enough, use spacer block provided.

Guideline:

A "normal" closing time from 90° open position to door closing position is about 4-6 seconds, evenly divided between closing and latching speed. Use socket key (included) to adjust these speeds. To slow down closing speed, turn regulating screw nearest shaft clockwise. To slow down latching speed, turn regulating screw nearest latch clockwise. **Caution:** Do not back valves out of closer as this may result in leakage or device failure.

Backcheck:

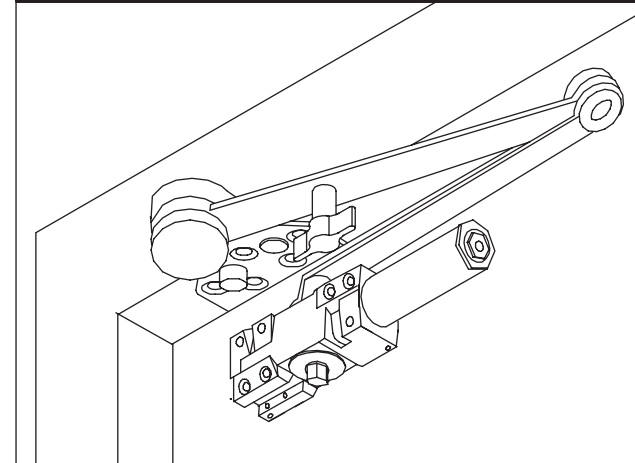
To adjust backcheck, turn the regulating screw adjacent to the door hinges clockwise. **WARNING:** Do not use backcheck function as a door stop.

Cover:

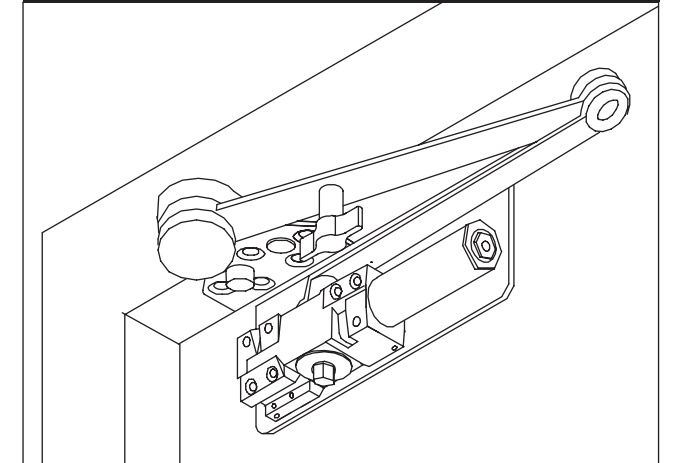
Place cover insert into proper slots for either RH or LH door. Place cover over closer and hold against door while tightening cover screws firmly.

INSTALLATION INSTRUCTIONS: PARALLEL ARM - CLOSER MOUNTED ON PUSH SIDE OF DOOR

PARALLEL MOUNT - STANDARD (PUSH SIDE)

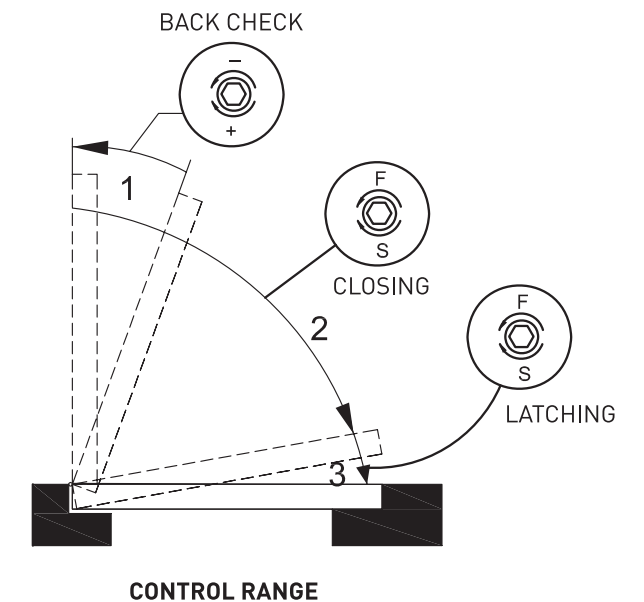
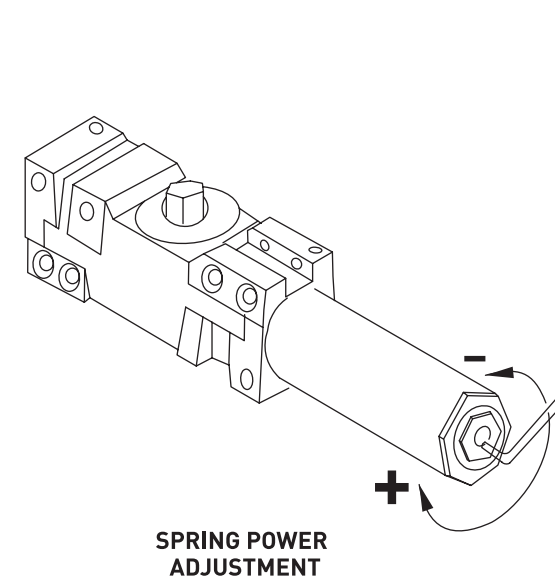
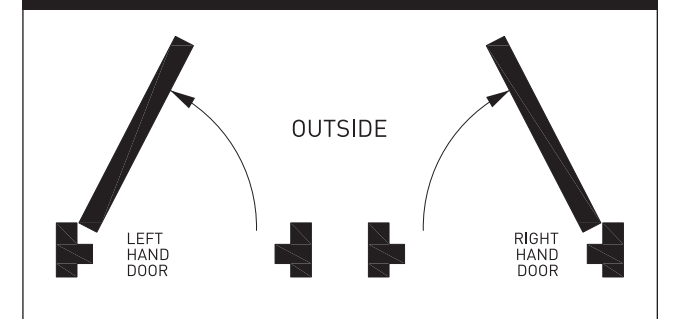


PARALLEL MOUNT - DROP PLATE (PUSH SIDE)



MAXIMUM DOOR WIDTH		FULL TURNS REQUIRED
EXTERIOR DOORS	INTERIOR DOORS	
	5 lb-f*	5 TURNS C.C.W.
8.5 lb-f*	34" (864 mm)	2 TURNS C.C.W.
30" (762 mm)	38" (962 mm)	0 TURNS
36" (914 mm)	48" (1219 mm)	5 TURNS C.W.
42" (1067 mm)	54" (1372 mm)	10 TURNS C.W.
48" (1219 mm)	60" (1524 mm)	15 TURNS C.W.

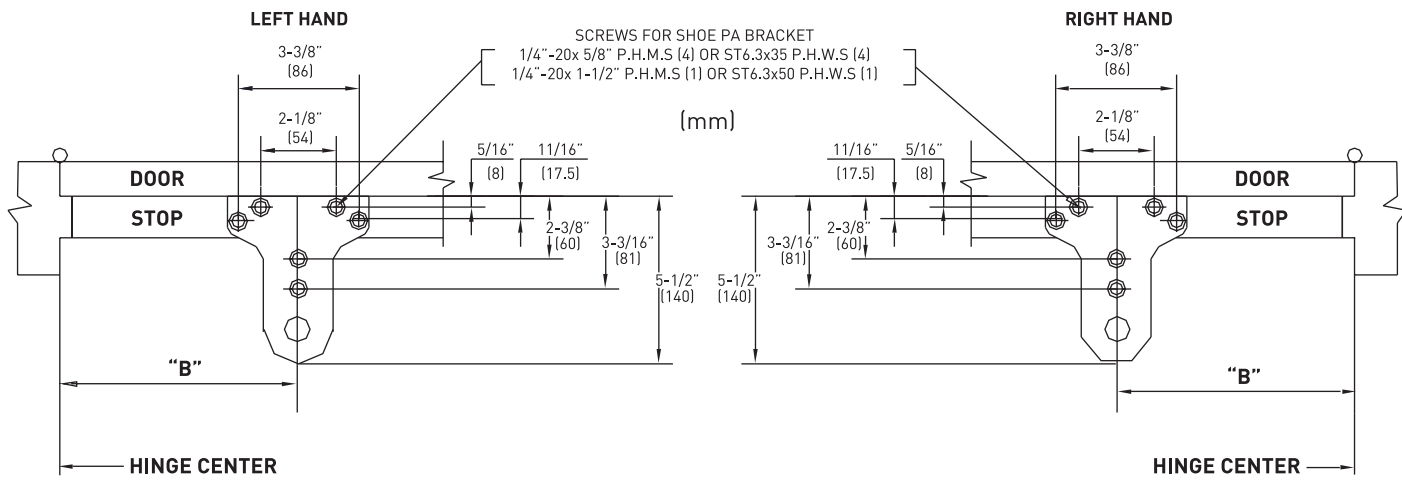
HOW TO DEFINE HANDING OF DOOR



PARALLEL ARM INSTALLATION: CLOSER MOUNTED ON DOOR ON PUSH SIDE (WITHOUT DROP PLATE)

NOTES:

- For rail less than 5-1/2" (140 mm), drop plate will be required (see separate instructions on page 3 for installation)
 - Maximum opening 110°
- IMPORTANT:** Before installation, turn backcheck selector valve (found on opposite side of closer from backcheck screw side) CLOCKWISE until it comes to a stop.



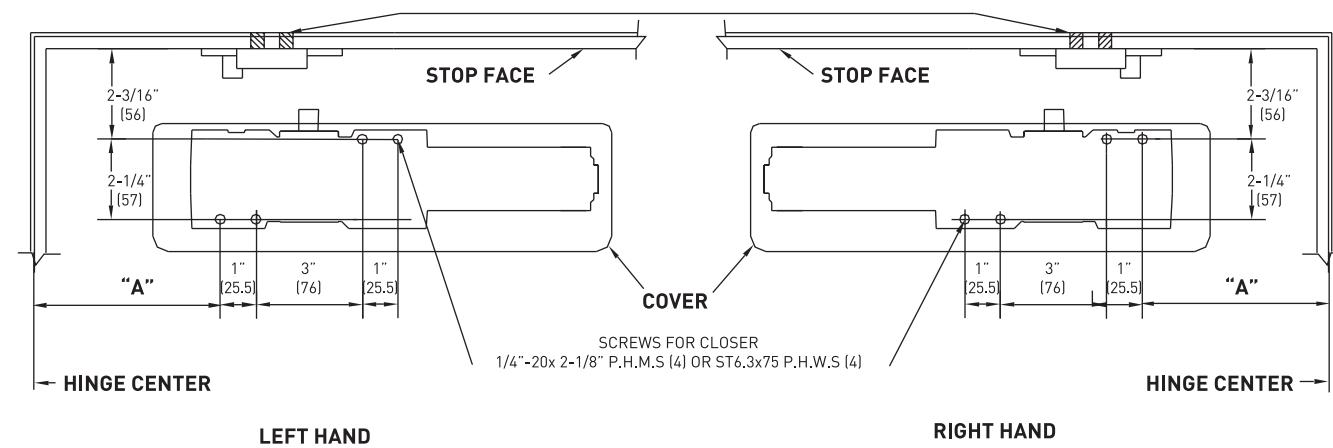
INSTALLATION DIMENSIONS

MODEL NUMBER	HOLD OPEN ANGLE	DIM. "A"	DIM. "B"
13-A4000CSHOAL	85°	9-1/2" (241 mm)	11-1/8" (283 mm)
	90°	8-3/4" (222 mm)	10-1/2" (267 mm)
	100°	7-5/8" (194 mm)	9-1/4" (235 mm)
	110°	6-5/8" (168 mm)	8-3/8" (213 mm)

INSTALLATION DIMENSIONS

MODEL NUMBER	MAX. OPENING ANGLE	DIM. "A"	DIM. "B"
13-A4000CSAL	90°	9-1/2" (241 mm)	11-1/8" (283 mm)
	95°	8-3/4" (222 mm)	10-1/2" (267 mm)
	105°	7-5/8" (194 mm)	9-1/4" (235 mm)
	115°	6-5/8" (168 mm)	8-3/8" (213 mm)

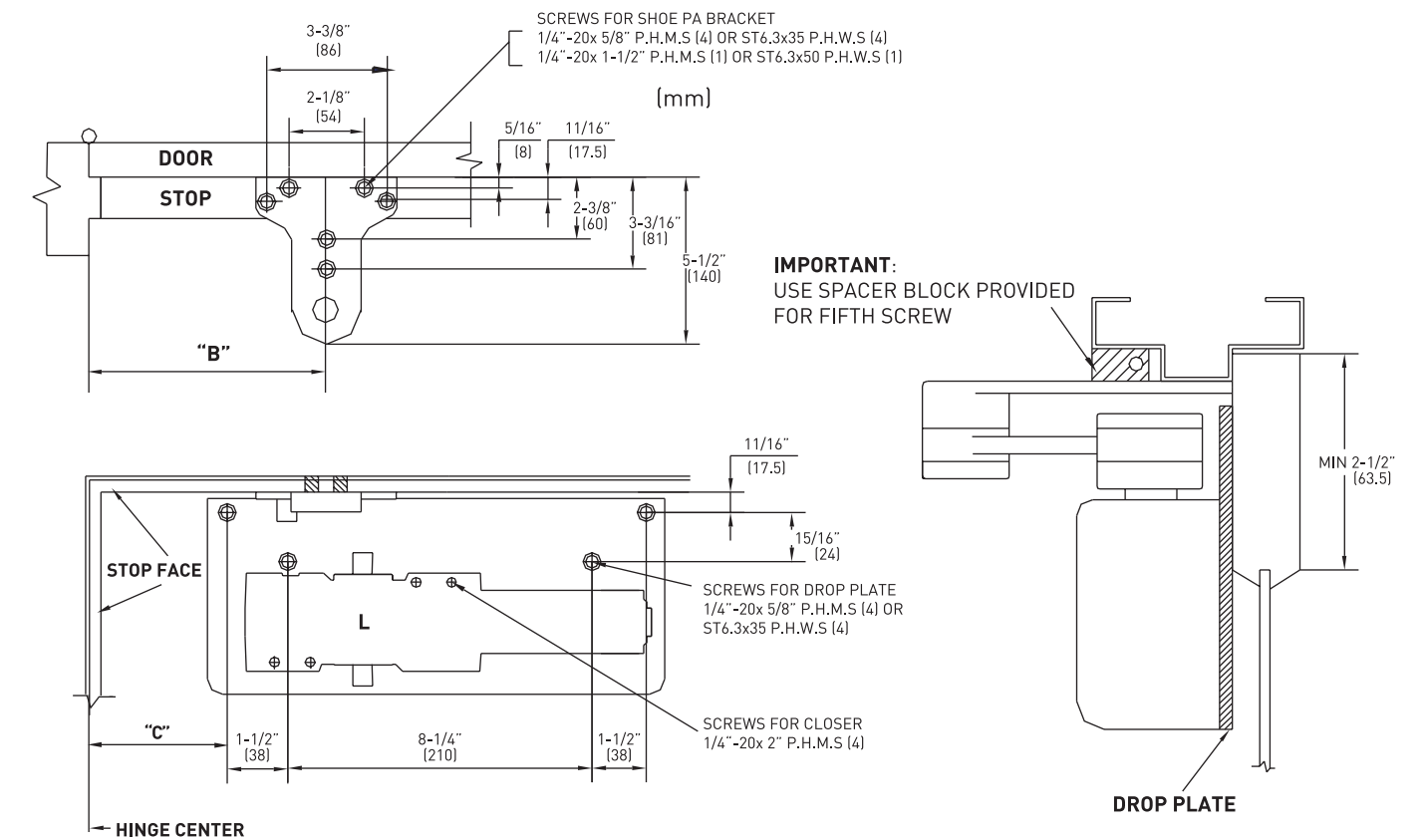
IMPORTANT: USE SPACER BLOCK PROVIDED FOR FIFTH SCREW



PARALLEL ARM INSTALLATION: CLOSER MOUNTED ON DOOR ON PUSH SIDE (WITH DROP PLATE)

NOTE:

- The illustration shown below is for a LEFT HAND DOOR. Mirror instructions for RIGHT HAND DOOR.
- IMPORTANT:** Before installation, turn backcheck selector valve (found on opposite side of closer from backcheck screw side) CLOCKWISE until it comes to a stop.



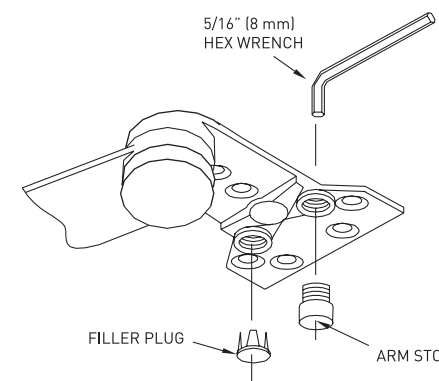
INSTALLATION DIMENSIONS

MODEL NUMBER	HOLD OPEN ANGLE	DIM. "B"	DIM. "C"
13-A4000CSHOAL	85°	11-1/8" (283 mm)	8-3/8" (213 mm)
	90°	10-1/2" (267 mm)	7-5/8" (194 mm)
	100°	9-1/4" (235 mm)	6-1/2" (165 mm)
	110°	8-3/8" (213 mm)	5-1/2" (140 mm)

INSTALLATION DIMENSIONS

MODEL NUMBER	MAX. OPENING ANGLE	DIM. "B"	DIM. "C"
13-A4000CSAL	90°	11-1/8" (283 mm)	8-3/8" (213 mm)
	95°	10-1/2" (267 mm)	7-5/8" (194 mm)
	105°	9-1/4" (235 mm)	6-1/2" (165 mm)
	115°	8-3/8" (213 mm)	5-1/2" (140 mm)

DOOR CLOSER HANDING



HANDING AND ASSEMBLY:

Shoe must be "handed" to match door BEFORE mounting.

For left hand doors: All shoes are shipped assembled for left hand doors. Insert 5/16" (8 mm) hex wrench into arm stop and turn counter-clockwise to seat stop as tightly as possible.

For right hand doors (see illustration): Push filler plug out of shoe. Using a 5/16" (8 mm) hex wrench, turn arm stop clockwise to remove from shoe and place into previous filler plug hole. Turn wrench counter-clockwise, seating stop as tightly as possible. Insert filler plug into other hole.