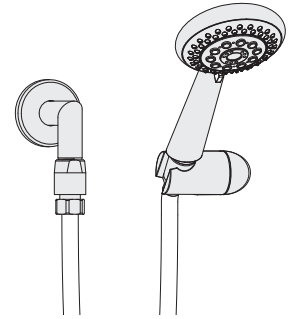


Location:



Hand Shower 412HS


Specification Submittal



Model Numbers



- 412HS Hand Shower

Feature Highlights

- Three mode hand shower with wand#412W
- Wall connection and 5 foot flexible metal hose with in-line vacuum breaker
- Cradle for mounting hand shower
- Standard flow rate is 2.5 gpm (9.5 L/min)
Optional lower flow rate restrictor available 

Options / Modifications

Append appropriate -suffix to model number.

-  -2.0 2.0 (7.6 L/min) flow rate restrictor
-  -1.5 1.5 (5.7 L/min) flow rate restrictor
- L/HS Hand Shower wand not included
(includes hose, in-line vacuum breaker, wall connections and cradle only)
- R Vinyl hose in place of flexible metal hose
- 6 6 foot hose in place of standard 5 foot hose
- QD Quick-disconnect at hand shower wall connection

Standards / Certifications

ASME A112.18.1-2005/CSA B125.1-05

Finish Options

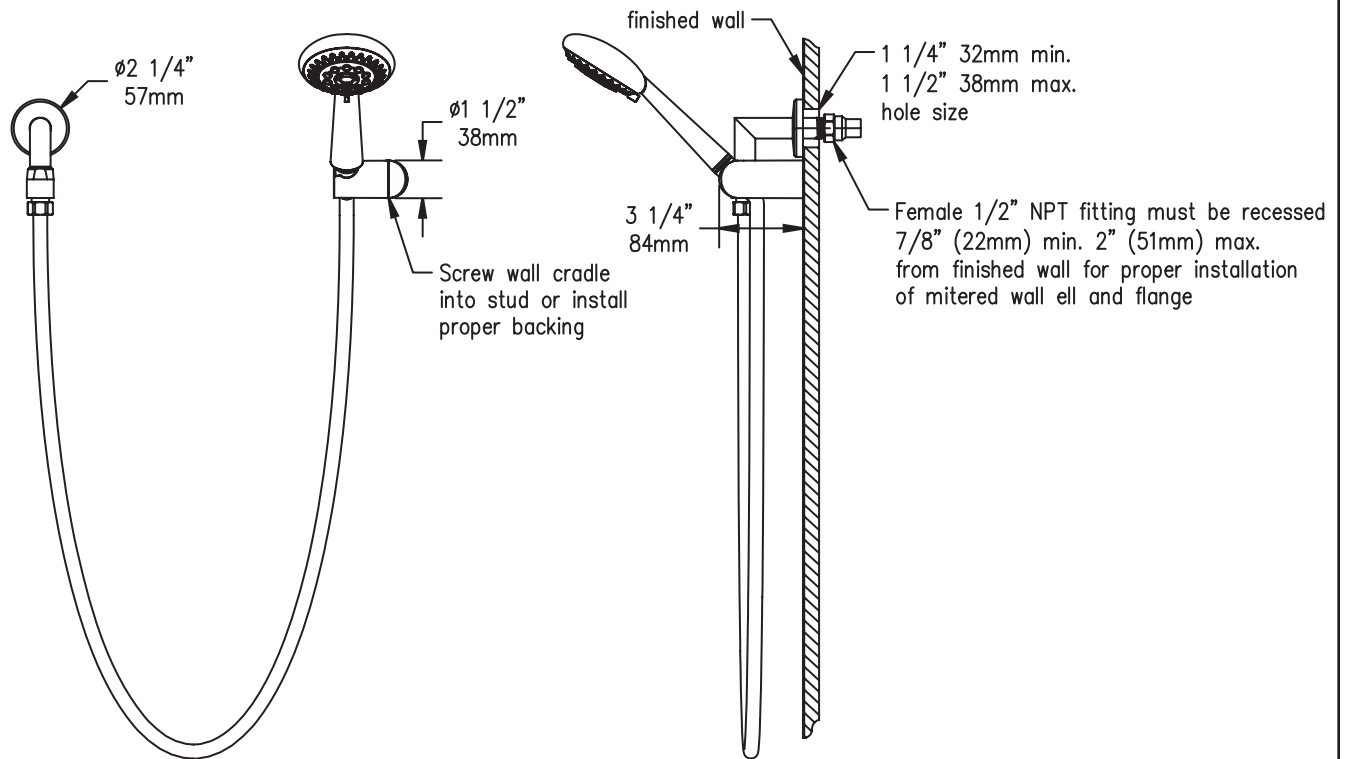
Append appropriate -suffix to model number.

- STN Satin nickel finish
- PNL Polished nickle finish
- Polished chrome finish (standard finish)

Warranty

- Limited Lifetime - to the original end purchaser in residential / consumer installations.
- 5 years - for commercial installations

Dimensions *Hand Shower, 412HS*



Note: Dimensions subject to change without notice.