

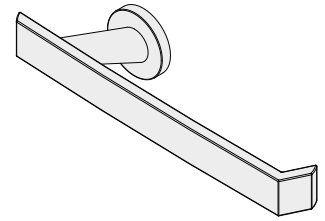
Location:



# SYMMONS® Naru™

## Hand Towel Bar 413TRL / 413TRR

### Specification Submittal



Model 413TRL

#### Model Numbers

- 413TRR Right hand towel bar
- 413TRL Left hand towel bar

#### Finish Options

Append appropriate -suffix to model number.

- STN Satin nickel finish
- PNL Polished nickle finish
- Polished chrome (standard finish)

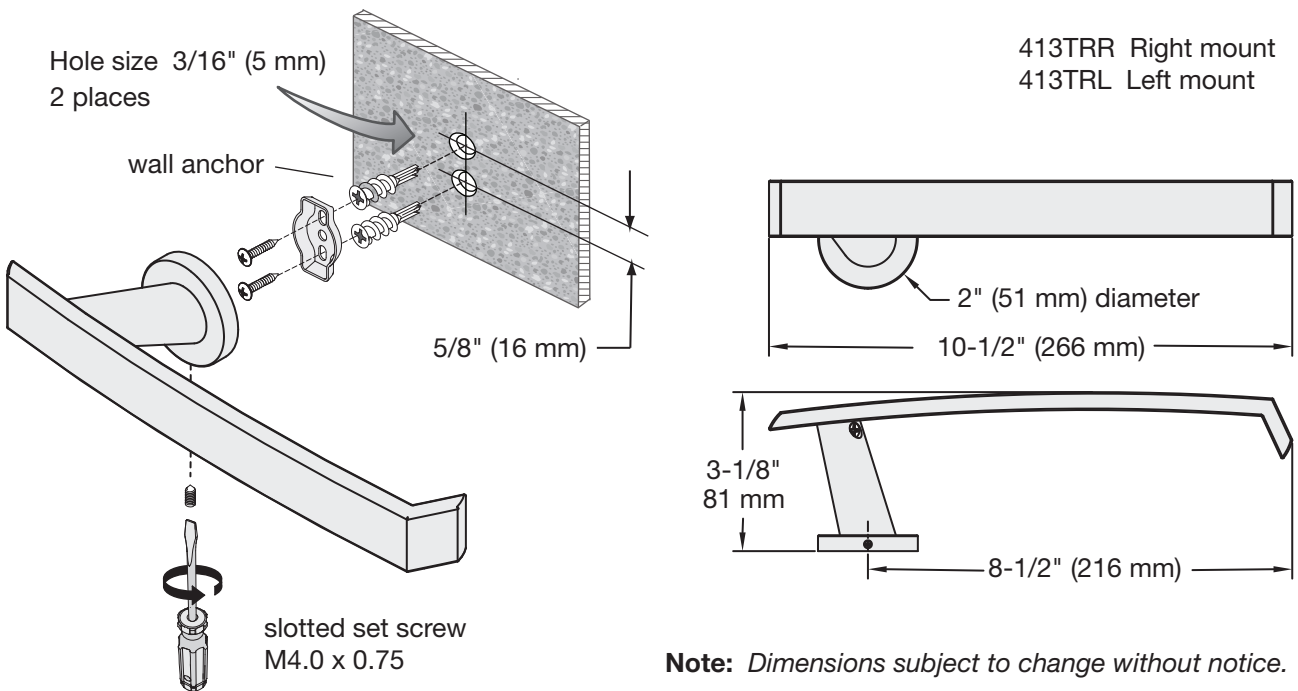
#### Feature Highlights

- Metal construction
- Polished chrome finish on standard product
- Both right hand and left hand models available
- Mounting hardware included

#### Warranty

- Limited Lifetime - to the original end purchaser in residential / consumer installations.
- 5 years - for commercial installations

#### Dimensions Naru Hand Tower Bar, 413TRL / 413TRR



Symmons Industries, Inc. ■ 31 Brooks Drive ■ Braintree, MA 02184  
(800) 796-6667, (781) 848-2250 ■ Fax (800) 961-9621, (781) 664-1300  
Website: [www.symmons.com](http://www.symmons.com) ■ Email: [customerservice@symmons.com](mailto:customerservice@symmons.com)

© 2010 Symmons Industries, Inc. Printed in U.S.A. ■ 092310



# SYMMONS®

the smart choice™