



Location:

SYMMONS® Canterbury®

the smart choice™

4501-TRM, 4501TRMTC
 Shower Trim
Specification Submittal



Feature Highlights

- Canterbury Shower Trim
- Requires Temptrol® Pressure Balancing Shower Valve
- Metal lever handle
- 1 mode showerhead
- 2.5 gpm (9.5 L/min) flow restrictor
- Tub spout not included
- Components shall be metal and nonmetallic construction, plated in standard Polished Chrome finish
- Available with TA-10 flow control spindle and T-12A cap assembly for Temptrol valve bodies installed with Test Cap (order p/n 4501TRMTC)

Model Numbers

- 4501-TRM**
Shower Trim, Temptrol Pressure Balancing Shower Valve ordered separately
- 4501TRMTC**
Shower Trim with TA-10 flow control spindle and T-12A cap assembly, must order Temptrol valve with Test Cap

Compliance



- ASME A112.18.1/CSA B125.1



Warranty

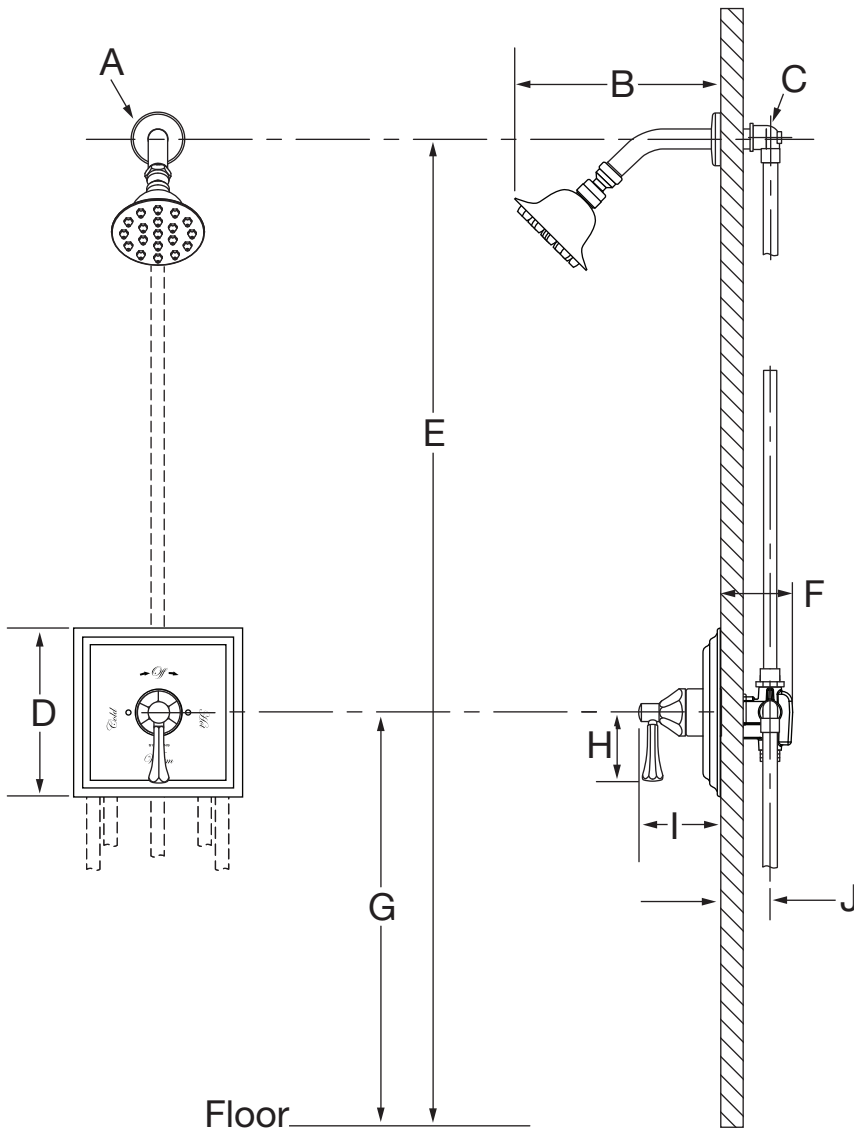
Limited Lifetime - to the original end purchaser in consumer/residential installations.
5 Years - for industrial/commercial installations.
 Refer to www.symmons.com/warranty for complete warranty information.
 Go to www.symmons.com/register to register your Symmons product.

Options/Modifications

- 1.5**  *1.5 gpm (5.7 L/min) flow restrictor*
- 2.0** *2.0 gpm (7.6 L/min) flow restrictor*
- L1** *Less showerhead*
- LP**  *Loop handle*
- REB** *Rebuild trim kit, includes TA-10 and TA-4*
- VP** *Vandal resistant escutcheon screws in place of standard screws*
- STN** *Satin Nickel finish*

Note: Append appropriate -suffix to model number.

Dimensions



Measurements	
A	Ø 2-1/4", 57 mm
B	8-1/2", 216 mm
C	Male 1/2" NPT thread must be recessed 1/4" from finished wall
D	7-1/2", 191 mm
E	Reference 77", 1956 mm
F	3-1/2", 89 mm
G	Reference 45", 1143 mm
H	2-13/16", 71 mm
I	3-1/16", 78 mm
J	(Rough-in) 2" ± 1/2", 51 mm ± 13 mm

Notes:

- 1) Valve body and piping not included and shown as reference only.
- 2) Plaster shield (p/n T-176) for dry wall, plaster or other type walls 1/2" or greater.
- 3) All dimensions measured from nominal rough-in (see J as reference).
- 4) Dimensions subject to change without notice.