



Location:

# SYMMONS® Origins®

the smart choice™

9605-PLR-TRM, 9605PLRTRMTC  
 Shower/Hand Shower Trim  
**Specification Submittal**



## Feature Highlights

- Origins Shower/Hand Shower Trim
- Requires Temptrol® Pressure Balancing Shower Valve
- Requires Symmons Dual Outlet Diverter Valve
- Metal lever handles
- ADA 36" grab bar for hand shower wand
- Dual checks for backflow protection
- 60" flexible metal hose
- ADA 1 mode hand shower wand with non-positive shutoff
- 1 mode showerhead with easy to clean nozzles
- 2.5 gpm (9.5 L/min) flow restrictors
- Tub spout not included
- Components shall be metal and nonmetallic construction, plated in standard Polished Chrome finish
- Available with TA-10 flow control spindle and T-12A cap assembly for Temptrol valve bodies installed with Test Cap (order p/n 9605PLRTRMTC)
- For optional in-line vacuum breaker order p/n EF-109

## Model Numbers

- 9605-PLR-TRM**  
Shower/Hand Shower Trim, Temptrol Pressure Balancing Shower Valve and Symmons Dual Outlet Diverter valve ordered separately
- 9605PLRTRMTC**  
Shower/Hand Shower Trim with TA-10 flow control spindle and T-12A cap assembly, must order Temptrol valve with Test Cap

## Compliance




- ASME A112.18.1/CSA B125.1



## Warranty

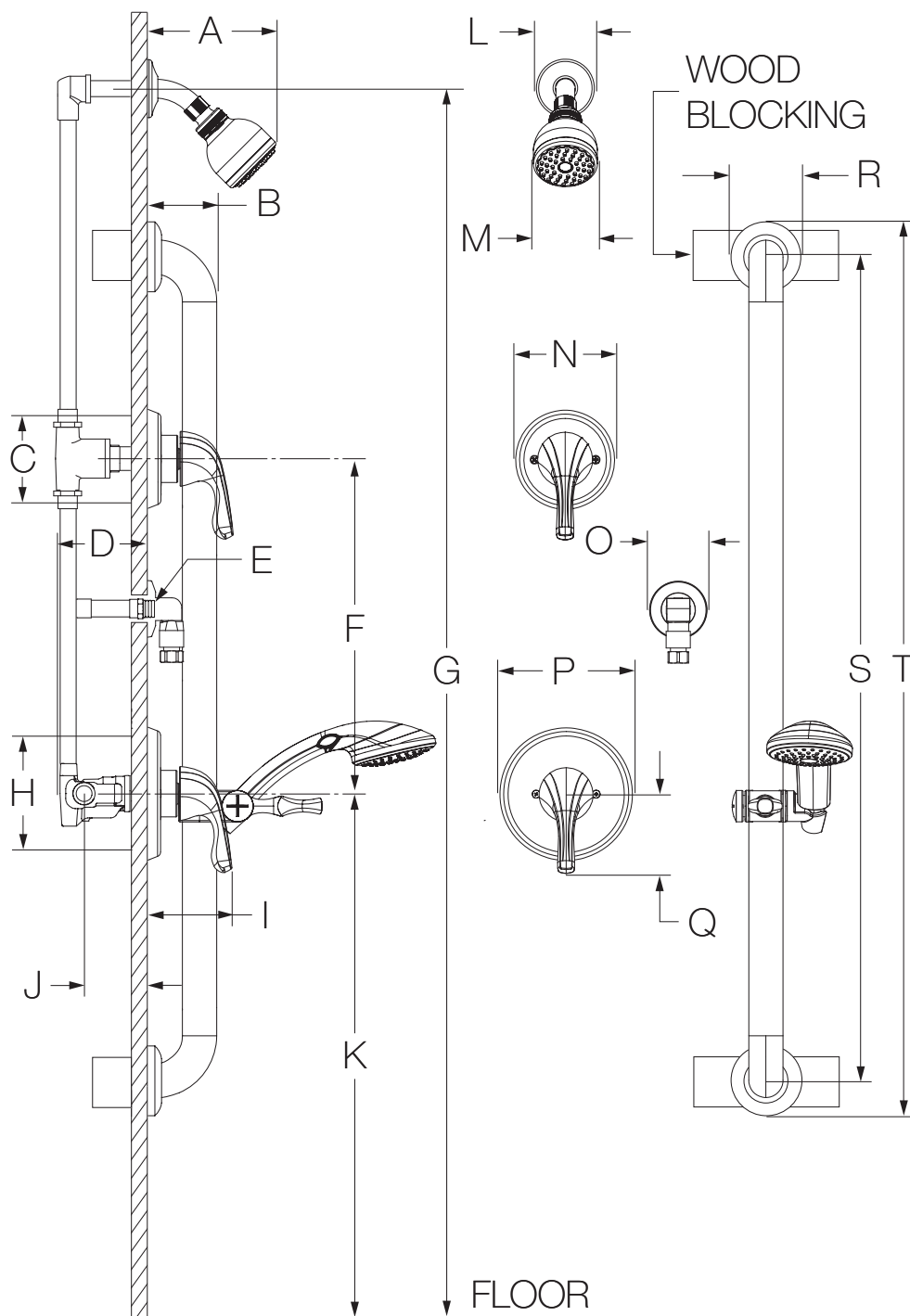
**Limited Lifetime** - to the original end purchaser in consumer/residential installations.  
**5 Years** - for industrial/commercial installations.  
 Refer to [www.symmons.com/warranty](http://www.symmons.com/warranty) for complete warranty information.  
 Go to [www.symmons.com/register](http://www.symmons.com/register) to register your Symmons product.

## Options/Modifications

- 1.5**  1.5 gpm (5.7 L/min) flow restrictor
- 2.0** 2.0 gpm (7.6 L/min) flow restrictor
- 143** 3 mode showerhead
- 145** 5 mode showerhead
- 151** 1 mode showerhead
- 231** Super showerhead
- 295** Institutional showerhead
- 72** 72" hose in place of 60" hose
- ADAHS** ADA hand shower wand (white)
- B30** 30" slide bar in place of 36" grab bar
- B48** 48" slide bar in place of 36" grab bar
- B** Brass escutcheon (chrome only)
- D** Brass dome cover (chrome only)
- H321-V** 1 mode hand shower unit with slide bar
- H323-V** 3 mode hand shower unit with slide bar
- L1** Less showerhead
- L2** Less hand shower wand
- L3** Less showerhead & hand shower wand
- LAM**  Metal finish insert handle
- LP**  Loop handle
- OP** 13" oval plate
- QD** Quick-disconnect on hand shower units
- R** 60" white vinyl hose in place of 60" metal hose
- REB** Rebuild trim kit, includes TA-10 and TA-4
- T724** 24" slide bar/grab bar with ADA wand
- T748** 48" slide bar/grab bar with ADA wand
- VB** Elevated vacuum breaker
- VP** Vandal resistant escutcheon screws in place of standard screws
- STN** Satin Nickel finish

**Note:** Append appropriate -suffix to model number.

## Dimensions



Measurements	
A	6-3/8", 162 mm
B	3", 76 mm
C	Diverter Valve Hole Size Min. Ø 3", 76 mm Max. Ø 3-1/4", 83 mm
D	3-1/2", 89 mm
E	Male 1/2" NPT fitting must protrude 3/8" from finished wall
F	Ref. 10", 254 mm
G	Ref. 77", 1956 mm
H	Shower Valve Hole Size Min. Ø 3", 76 mm Max. Ø 4", 102 mm
I	3-5/8", 92 mm
J	Rough-in 2-3/8" ± 1/2", 60 mm ± 13 mm
K	Ref. 42", 1067 mm
L	Ø 2-1/2", 64 mm
M	Ø 2-3/4", 70 mm
N	Ø 4-1/4", 108 mm
O	Ø 2-1/2", 64 mm
P	Ø 5-3/4", 146 mm
Q	3-3/8", 86 mm
R	Ø 3-1/8", 79 mm
S	36", 914 mm
T	39", 991 mm

### Notes:

- 1) Valve body and piping not included and shown as reference only.
- 2) Plaster shield (p/n T-176) for dry wall, plaster or other type walls 1/2" or greater.
- 3) All dimensions measured from nominal rough-in (see J as reference).
- 4) Dimensions subject to change without notice.