



Location:



Shower Arm and Flange 300

Specification Submittal

Model Numbers

- 300 Shower arm and flange

Feature Highlights

- Shower arm with heavy flange
- 8" length
- Polished chrome finish (standard)

Finish Options

Append appropriate -suffix to model number.

- BBZ Brushed Bronze finish
- MB Matte Black finish
- STN Satin Nickel finish
- PNL Polished Nickel finish
- Polished Chrome finish (standard)

Standards / Certifications

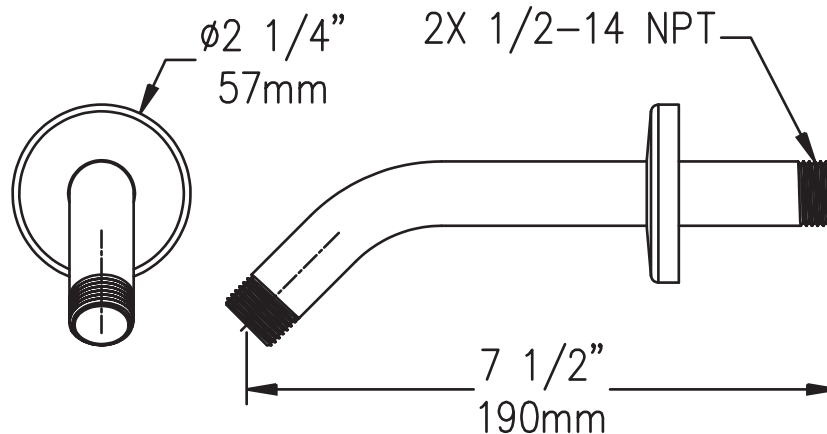
-ASME A112.18.1/CSA B125.1



Warranty

- Limited Lifetime - to the original end purchaser in residential / consumer installations.
- 5 years - for commercial installations

Dimensions Shower Arm and Flange, 300



Note: Dimensions subject to change without notice.

Symmons Industries, Inc. ■ 31 Brooks Drive ■ Braintree, MA 02184
 Phone: (800) 796-6667 ■ Fax: (800) 961-9621
 Website: symmons.com ■ Email: gethelp@symmons.com

Copyright © 2017 Symmons Industries, Inc. ■ ZV-1784 REV A ■ 091517

