

Location:

SYMMONS® Winslet®

Tub & Hand Shower System S-5104

Specification Submittal



Feature Highlights

- Symmons tub & hand shower system with lever handles.
- Symmons Temptrol® pressure balancing mixing valve with adjustable stop screw to limit handle turn.
- Secondary integral diverter/volume control handle
- Wall/hand shower with 5 foot flexible metal hose, vacuum breaker for backflow protection, wall connection and cradle for hand shower mounting
- Tub spout
- Standard flow rate is 2.5 gpm (9.5 L/min)
- Polished chrome finish

Model Numbers

- S-5104
Tub & Hand Shower System with Symmons Temptrol® pressure balancing mixing valve p/n S-46-2-BODY
- S-5104-TRM
Trim only, valve and diverter must be ordered separately
- S-46-2-BODY
Symmons Temptrol® mixing valve without trim
- S-46-2X-BODY
Symmons Temptrol® mixing valve without trim. Valve includes integral service stops to allow water shut-off for service

Finish Options / Modifications

Append appropriate -suffix to model number.

- STN Satin nickel
- Polished chrome (standard finish)

Warranty

- Limited Lifetime - to the original end purchaser in consumer installations.
- 5 years - for commercial installations


Standards / Certifications

ASME A112.18.1/CSA B125.1



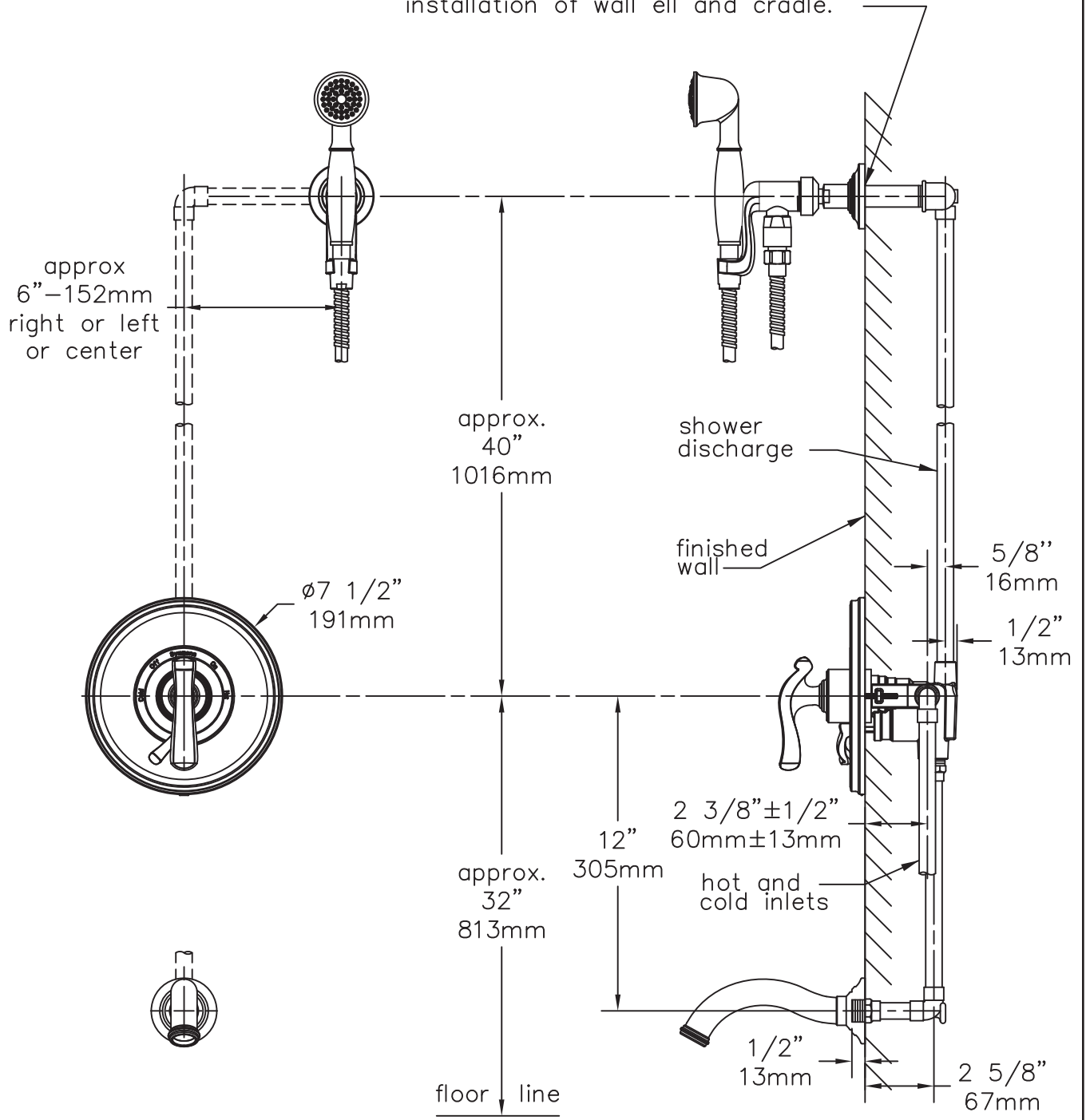
Options / Modifications

Append appropriate -suffix to model number

- CG** -1.5 1.5 gpm (5.7 L/min) flow restrictor
- 2.0 2.0 gpm (7.6 L/min) flow restrictor
- 72 72" hose in place of 60" hose
- ADACHS ADA hand shower wand (chrome)
- H321-V 1 mode hand shower unit with slide bar in place of standard hand shower unit
- H323-V 3 mode hand shower unit with slide bar in place of standard hand shower unit
- H323-V-48 3 mode hand shower unit with 48" slide bar in place of standard hand shower unit
- IPS 1/2" female IPS connections
-  -LP Loop handle
- L/HS Less hand shower
- QD Quick-disconnect on hand spray units
- R 60" white vinyl hose in place of 60" metal hose
- REB Rebuild trim kit, includes TA-10 and TA-4
- REV Reverse coring, hot on right, cold on left, for back to back installations
- T724 24" slide bar/grab bar with ADA hand shower in place of standard hand shower unit
- T736 36" slide bar/grab bar with ADA hand shower in place of standard hand shower unit
- T748 48" slide bar/grab bar with ADA hand shower in place of standard hand shower unit
- VB Elevated vacuum breaker
- VP Vandal resistant escutcheon screws in place of standard screws
- X Integral service stops - allows water shutoff at valve for service
- X-CHKS Integral check stops - for use in installations where a positive shut-off device is used downstream of mixing valve

Dimensions Winslet Tub and Hand Shower System, S-5104

Male 1/2" I.P.S. thread must protrude 1/2" (13mm) from finished wall for proper installation of wall ell and cradle.



Note: Dimensions subject to change without notice.

Symmons Industries, Inc. ■ 31 Brooks Drive ■ Braintree, MA 02184
 Phone: (800) 796-6667 ■ Fax: (800) 961-9621
 Website: symmons.com ■ Email: gethelp@symmons.com

Copyright © 2018 Symmons Industries, Inc. ■ ZV-809 REV A ■ 091318

SYMMONS[®]
 the smart choice™