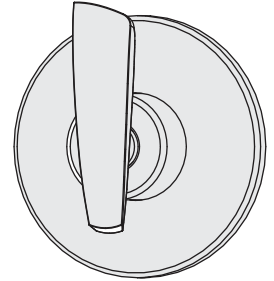


Location:


SYMMONS® Naru™
Dual Outlet Diverter 41-2DIV
Specification Submittal



Model Numbers

- 41-2DIV Diverter valve and trim

Finish Options / Modifications

Append appropriate -suffix to model number.

- STN Satin nickel
- PNL Polished nickel
 - Polished chrome (standard finish)

Standards / Certifications

ASME A112.18.1/CSA B125.1

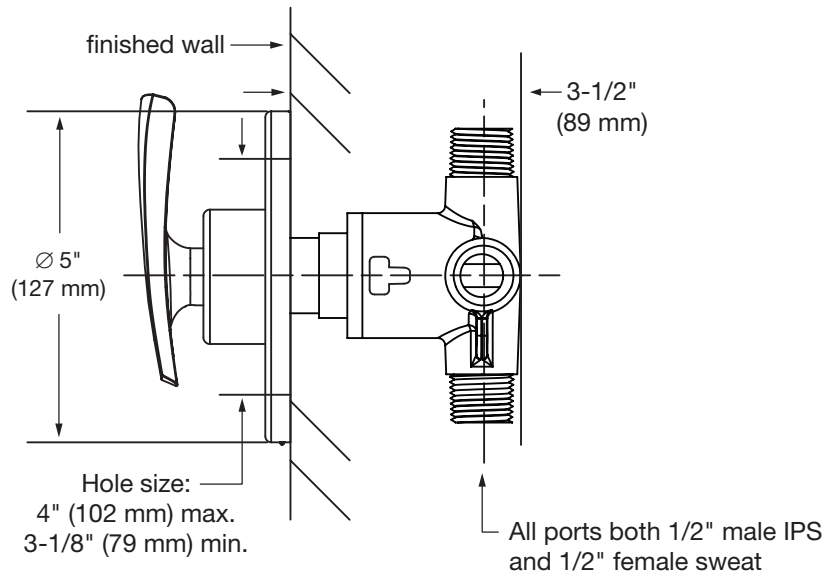
Feature Highlights

- Dual outlet diverter valve with trim
- Metal construction
- Polished chrome finish (standard)

Warranty

- Limited Lifetime - to the original end purchaser in consumer installations.
- 5 years - for commercial installations

Dimensions *Naru Dual Outlet Diverter Valve, 41-2DIV*



Notes:

- (1) See shower valve rough-in dimensions for system dimensions.
- (2) Dimensions subject to change without notice

Symmons Industries, Inc. ■ 31 Brooks Drive ■ Braintree, MA 02184
Phone: (800) 796-6667 ■ Fax: (800) 961-9621
www.symmons.com ■ gethelp@symmons.com

Copyright © 2015 Symmons Industries, Inc. ■ ZV-1458 REV A ■ 091815


SYMMONS®
the smart choice™