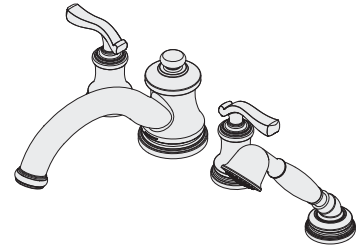


Location:

SYMMONS® Winslet®

Roman Tub Faucet SRT-5172

Specification Submittal



Model Numbers

- SRT-5172 Roman Tub Faucet with Handspray

Finish Options

Append appropriate -suffix to model number.

- STN Satin Nickel Finish
- ORB Oil Rubbed Bronze Finish
- Polished chrome (standard finish)

Options / Modifications

Append appropriate -suffix to model number.

Feature Highlights

- Two handle Roman Tub Faucet with quarter turn ceramic control components.
- Handspray with lift rod diverter
- 1/2 rigid copper tubing connections
- Cast brass spout
- Metal construction,
- Standard finish is polished chrome

Standards / Certifications

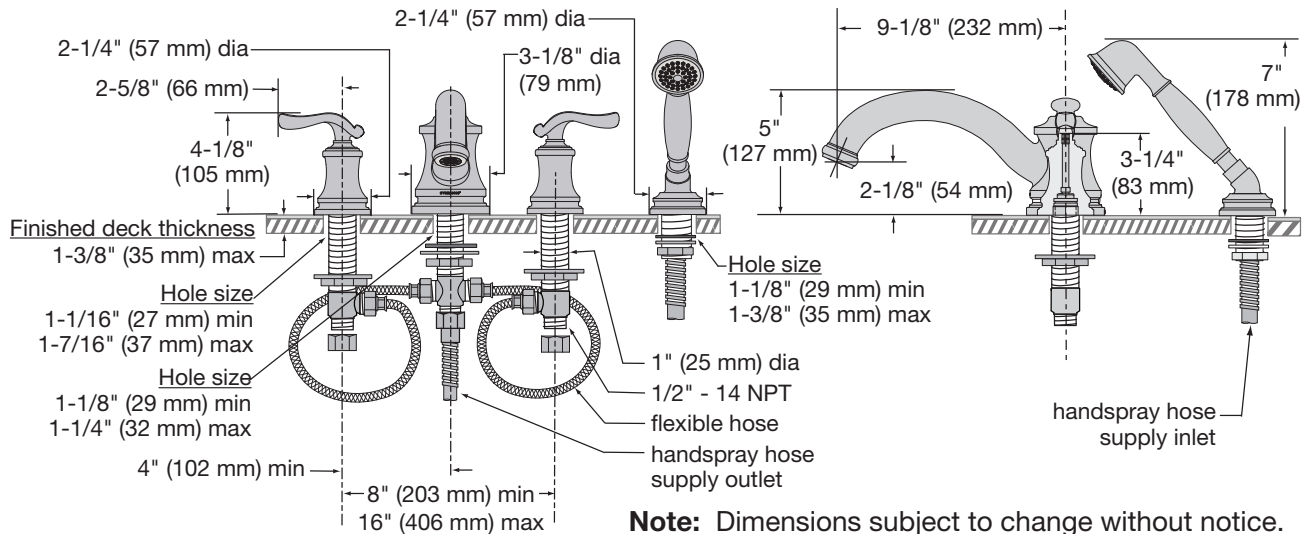
ASME A112.18.1/CSA B125.1



Warranty

- Limited Lifetime - to the original end purchaser in residential / consumer installations.
- 5 years - for commercial installations

Dimensions Winslet Roman Tub Faucet, SRT-5172



Symmons Industries, Inc. ■ 31 Brooks Drive ■ Braintree, MA 02184
 Phone: (800) 796-6667 ■ Fax: (800) 961-9621
 Website: symmons.com ■ Email: gethelp@symmons.com
 Copyright © 2018 Symmons Industries, Inc. ■ ZV-831 REV A ■ 121018

