

Location:

SYMMONS® Sereno®

Wall-Mounted Lavatory Faucet SWM-4310

Specification Submittal



Model Numbers

- SWM-4310 Wall-Mounted Lavatory Faucet

Alternate Finish Options

Append appropriate -suffix to model number.

- STN Satin Nickel Finish
- Polished Chrome (standard finish)

Options / Modifications

Append appropriate -suffix to model number.

- 1.5 1.5 gpm (5.7 gpm) flow restrictor (vandle resistant)
- 1.0 1.0 gpm (3.8 gpm) flow restrictor (vandle resistant)

Feature Highlights

- Two handle wall-mounted lavatory faucet with quarter turn ceramic control components.
- Wall-mounted on 8 inch center
- Supply lines have 1/2 inch copper tubing
- Aerator with 2.2 gpm flow rate (8.3 L/min)
Optional lower flow rate restrictor available
- Polished chrome finish

Standards / Certifications

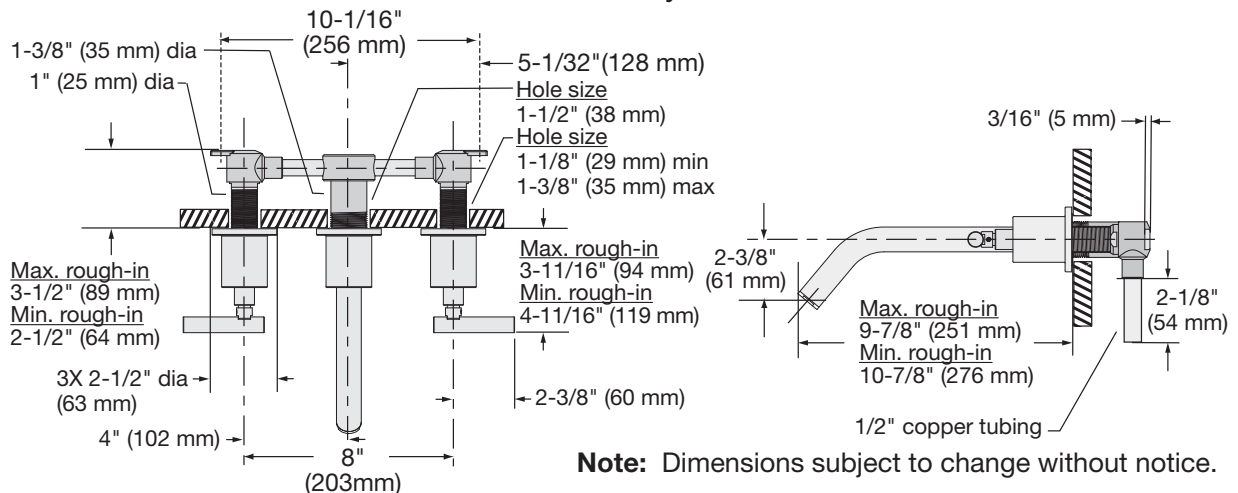
- ASME A112.18.1/CSA B125.1
- NSF/ANSI 61.9, NSF/ANSI 372
- WaterSense 1.5 gpm



Warranty

- Limited Lifetime - to the original end purchaser in consumer installations.
- 5 years - for commercial installations

Dimensions Sereno Wall-Mounted Lavatory Faucet, SWM-4310



Symmons Industries, Inc. ■ 31 Brooks Drive ■ Braintree, MA 02184
 Phone: (800) 796-6667 ■ Fax: (800) 961-9621
 Website: symmons.com ■ Email: gethelp@symmons.com
 Copyright © 2017 Symmons Industries, Inc. ■ ZV-775 REV C ■ 082817

