



SYMMONS® Ultra-Sense®

Lavatory Faucet S-6080

Battery Powered, Sensor-Activated

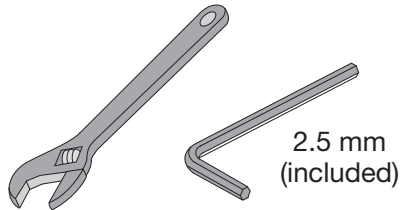
Installation, Operation & Service Brief



Model Numbers

- S-6080.....Sensor Faucet
Faucet Part # SF-244
- S-6080-G...Sensor Faucet with
grid strainer drain assembly

Tools & Materials



☎ Need Help?

Symmons customer service:

(800) 796-6667, (781) 848-2250

Email: customerservice@symmons.com

Monday - Friday 7:30 am - 7:00 pm EST

 www.symmons.com/service

- Technical help
- Product information
- Warranty policy

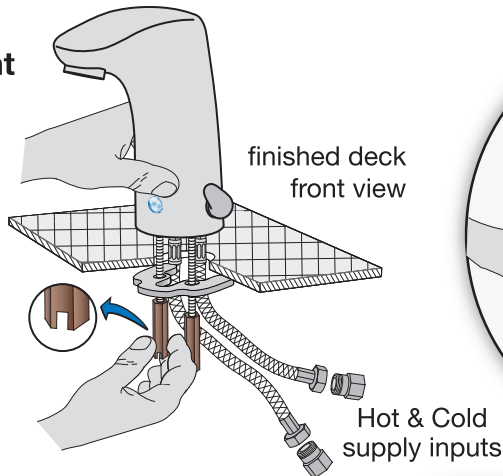


Quick Install Guide Ultra-Sense Lavatory Faucet, S-6080

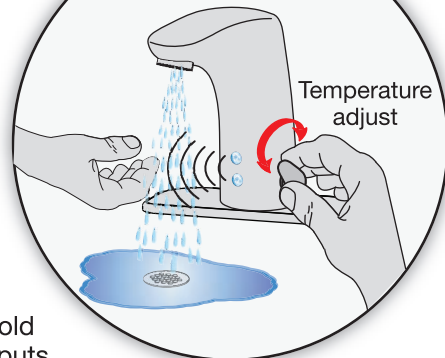
Faucet Part Number SF-244

Single hole mount

- Step 1**
Attach faucet
to deck
- Step 2**
Connect power and
water supply lines
- Step 3**
Test and check
for leaks

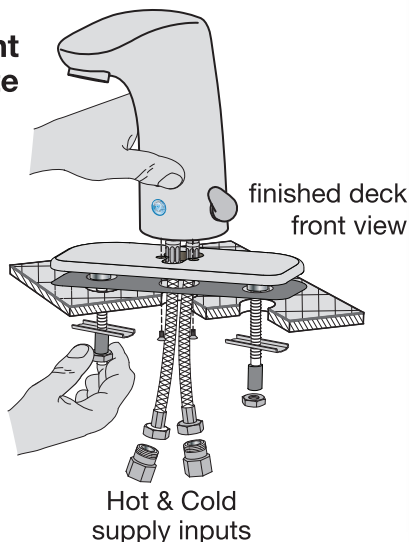


Operation (sensor activated)



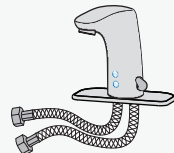
Three hole mount with deck plate

- Step 1**
Attach faucet and
deck plate to deck
- Step 2**
Connect power and
water supply lines
- Step 3**
Test and check
for leaks

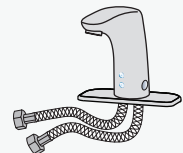


Faucet supply configuration options

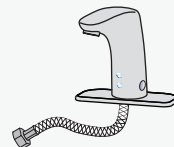
- 1) Temperature adjust
using lever handle
(factory configured)



- 2) Tempered water
preset internally
(field modified)



- 3) External premixed
water supply with
single supply input
(field modified)

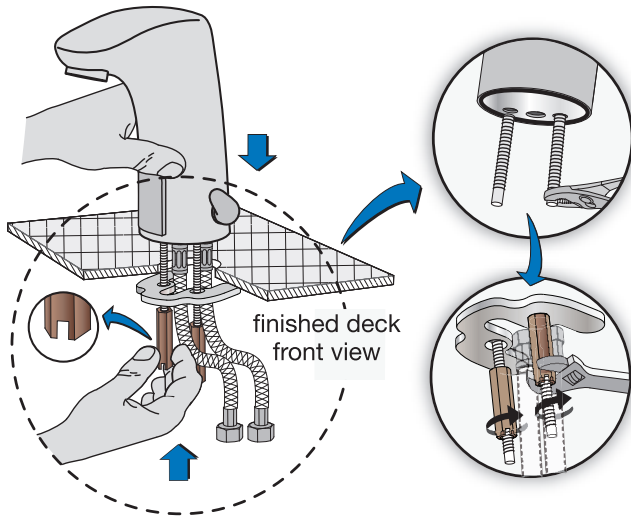


Installation Instructions

Important! Prior to connecting the water supply, ensure supply lines are flushed. Particles can clog filter and result in malfunction. Excessive particles from supply lines may require installing a separate efficient filter.

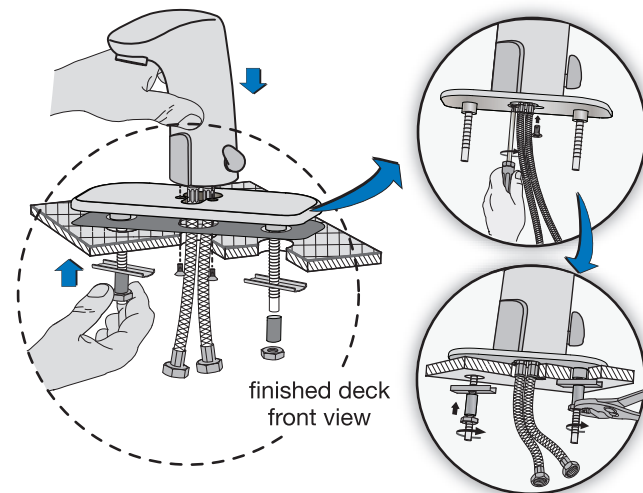
Step 1 Attach faucet to deck (1 hole)

Single hole mount without deck plate

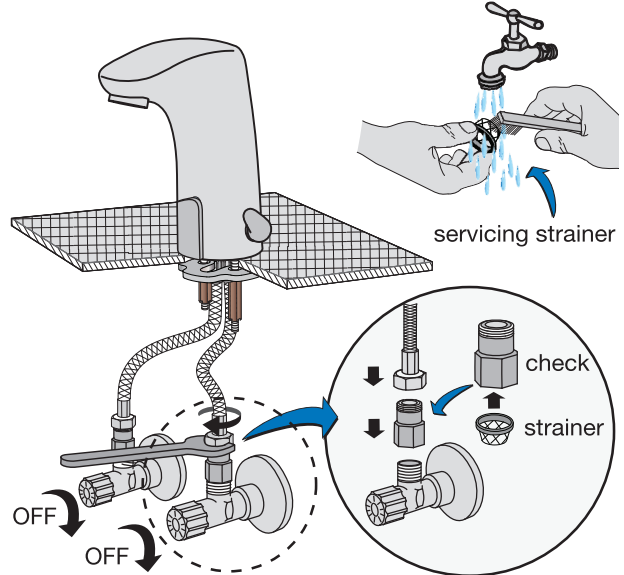


Step 1 Attach faucet to deck (3 hole)

Three hole mount with deck plate



Step 2 Connect water supply line



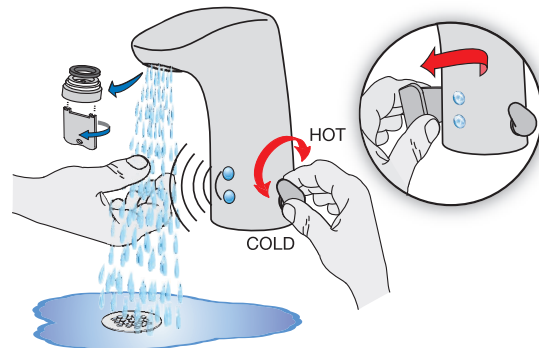
Step 3 Modify faucet for preset tempered hot cold supply (Config option #2)

- Remove temperature control handle and limit stop.
- Re-insert handle to adjust supply temperature.
- Remove handle and replace with push plug.

Step 4 Modify faucet for single supply with pre-mixed water (Config option #3)

- Turn temperature control handle counter clockwise to the maximum cold position.
- Remove temperature control handle and replace with push in plug.
- Remove the flexible hot water supply hose from base of faucet. (Note: left hand thread)
- Screw plug in place of supply hose into base of faucet.
- Attach single cold supply hose to pre-mixed supply.

Step 5 Test operation and check for leaks



Limiting water temperature

Using Temperature adjustment handle

- Remove temperature adjustment handle.
- Set maximum water temperature limit by turning handle limit stop clockwise (CW).
- Increase maximum water temperature by turning handle limit stop counter clockwise (CCW).
- Re-install temperature adjustment handle.

Adjusting preset water temperature (config #2)

- Remove temperature adjustment handle plug.
- Adjust the maximum water temperature limit by inserting handle into faucet and turning counter clockwise (CCW).
- Increase temperature by turning handle clockwise (CW).
- Remove handle and re-install plug.

Operation

Sensor recognition range is factory preset at 1/2 - 4 inches

Place hand under faucet, water will flow automatically for 10 seconds and shut off.



Auto shut-off time is factory preset at 1/2 to 1 second

Remove hands, water will stop automatically within 1/2 to 1 second.



Security OFF after 10 seconds

Faucet will automatically shut off after continuous water flow for 10 seconds.



Weak or dead battery

LED will flash to signal battery is getting weak and should be replaced soon.



Faucet Repair

⚠ Replacing Solenoid Valve (p/n SF-240)

- Remove old o-ring from valve body before replacing solenoid valve. Replacement solenoid valve will come with new o-ring installed to allow proper seal and prevent leaking from valve body.

Troubleshooting

Sensor eye is blinking

- Indicates battery is weak and needs to be replaced.

No water flow

- Check water supply to the faucet.
- Clean around photo cell sensor area.
- Check for loose battery connections.
- Replace the solenoid valve.
- Replace the sensor.

Water flow is weak

- Water supply stops are not fully open.
- Clean aerator and check strainer on end of supply line(s). Excessive clogging may require installing of separate efficient filter into supply line.

Water flow from spout fails to turn off

- Sensing range may be too low. Clean around photo cell sensor area.
- Clean solenoid valve membrane or replace solenoid valve.

Water temperature can't be adjusted

- Clean the check strainer on end of supply line(s).
- Clean or replace the mixer.

Faucet care

Cleaning surface finish

- Block sensor with plastic cleaning cover to prevent faucet from turning on while cleaning.
- Clean finish area by using mild soap and water or non-abrasive cleaner and then rinse immediately. A non-abrasive wax may be used to preserve finish area.

Precautions

- Ensure sensor is not damaged through impact or scratches.
- Ensure sensor is not blocked or disturbed by any object within its detection range.
- Ensure that no strong light source is aimed directly at sensor or through a mirror.

Risk of Freezing

When installing the faucet in a location where the temperature may fall below freezing, the entire system must be drained of water to prevent damage in freezing weather.

- Turn off water supply.
- Disconnect all flexible hoses.
- Drain all parts and hoses of water.

Dimensions Ultra-Sense Lavatory Faucet, S-6080

Model S-6080, p/n SF-244

Note

- (1) Faucet shown with 4 inch centered deck plate.
- (2) Dimensions subject to change without notice.

Deck plate, 6" (152 mm)

Hole diameter
1-5/16" - 1-3/8"
(33 mm - 35 mm)
1/4"-20 UNC
4" (102 mm)

Strainer/adapters,
3/8" compression

Temperature
adjust

Deck plate
2-1/2"
(64 mm)

5-5/16"
19° (135 mm)

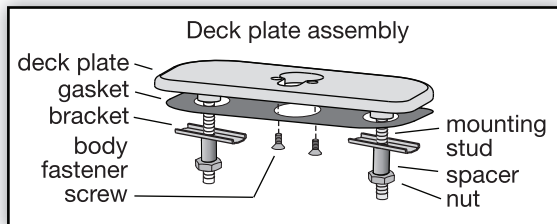
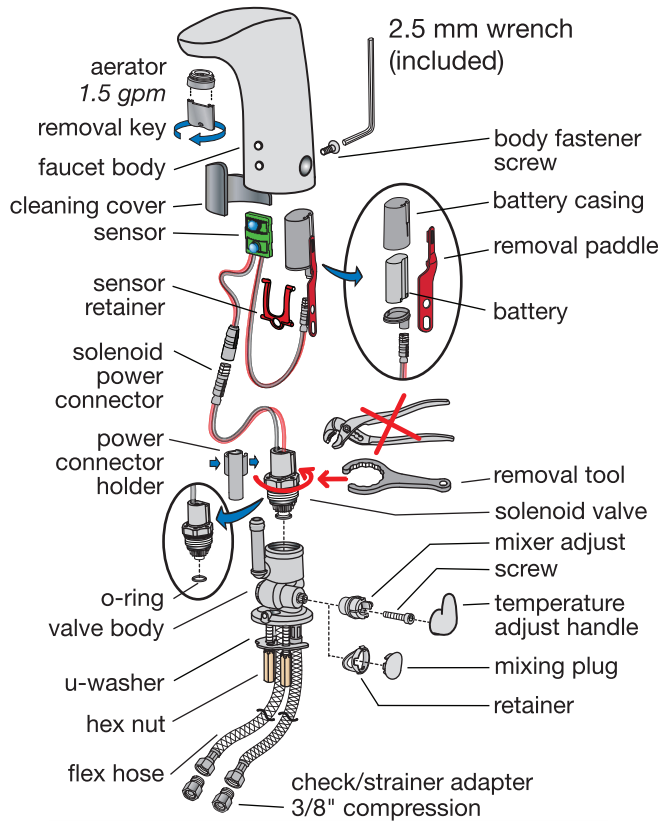
4-7/16"
(112 mm)

19"
(483 mm)

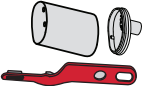
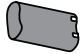
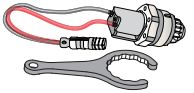


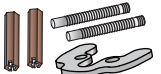



1/2" (13 mm)
with spacer
1-1/8" (29 mm)
without spacer

Parts Assembly Ultra-Sense Lavatory Faucet, S-6080

Faucet Part Number SF-244



S-6080 Replacement Parts

Part Number	Item
SF-103	Battery casing with removal paddle 
SF-2CR5	6v lithium battery, 2CR5 
SF-240	Solenoid valve with removal tool 
SF-245	Sensor and retainer 
SF-186	Check / strainer kit for flex hose connections 
SF-158	Single hole mounting kit 
SF-125	Aerator, vandal resistant with removal key #LL-60K ■ 1.5 gpm (5.7 L/min) 
LN-100 LN-217	Non-aerated laminar flow vandal resistant spray outlet with removal key #LL-60K ■ 0.5 gpm (1.9 L/min) ■ 1.5 gpm (5.7 L/min) 
SF-163	Cleaning cover 

Ordering replacement parts:

Call Symmons customer service at (800) 796-6667, (781) 848-2250 M-F 7:30 am - 7:00 pm EST or check our website at www.symmons.com for a list of Symmons distributors.