

Location:


SYMMONS® Degas®
Shower Valve System S-5400
Specification Submittal



Feature Highlights

- Symmons Shower Valve System with lever handle
- Symmons Temptrol® pressure-balancing mixing valve with adjustable stop screw to limit handle turn
- Secondary integral volume control handle
- Polished chrome finish

Model Numbers

- S-5400
Shower Valve System with Symmons Temptrol® mixing valve p/n S-46-1-BODY
- S-5400-TRM
Trim only, mixing valve ordered separately
- S-46-1-BODY
Symmons Temptrol® mixing valve without trim
- S-46-1X-BODY
Symmons Temptrol® mixing valve without trim. Valve includes integral service stops to allow water shut-off for service


Finish Options / Modifications

Append appropriate -suffix to model number

- STN Satin Nickel
- ORB Oil Rubbed Bronze
- Polished Chrome (standard finish)

Options/Modifications

Append appropriate -suffix to model number

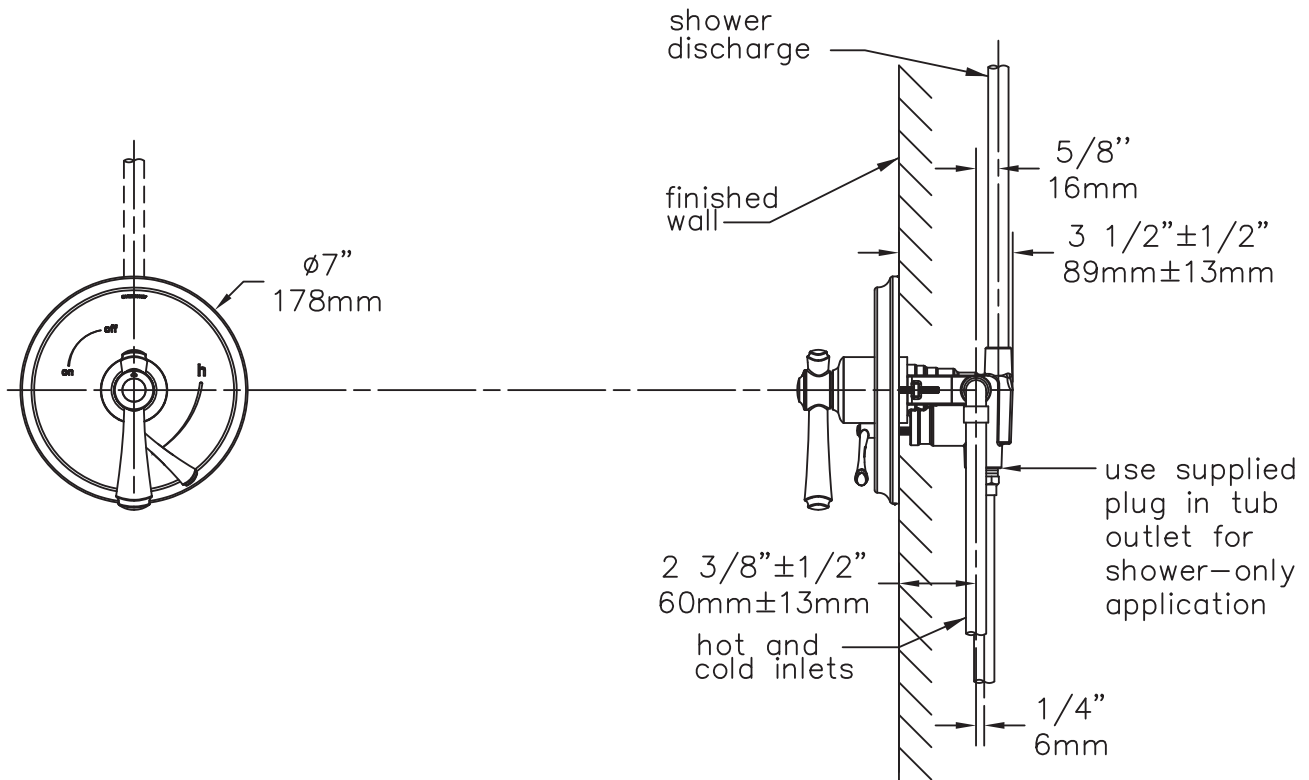
- IPS 1/2" female IPS connections
-  -LP Loop handle
- REB Rebuild trim kit, includes TA-10 and TA-4
- REV Reverse coring, hot on right, cold on left, for back to back installations
- VP Vandal resistant escutcheon screws in place of standard screws
- X Integral service stops - allows water shutoff at valve for service
- X-CHKS Integral check stops - for use in installations where a positive shut-off device is used downstream of mixing valve

Standards / Certifications

ASME A112.18.1/CSA B125.1



Dimensions Degas Shower Valve System, S-5400



Note: Dimensions subject to change without notice