

Location:



Euro-flo Showerhead, 4-145

Specification Submittal



Model Numbers

- 4-145 Showerhead

Finish Options / Modifications

Append appropriate -suffix to model number.

- CG** -1.5 1.5 gpm (5.7 L/min) Flow rate restrictor
- 2.0 2.0 gpm (7.6 L/min) Flow rate restrictor
- STN Satin Nickel finish
- ORB Oil Rubbed Bronze finish
- Polished chrome (standard finish)

Standards / Certifications

ASME A112.18.1/CSA B125.1

WaterSense 1.5 gpm & 2.0 gpm



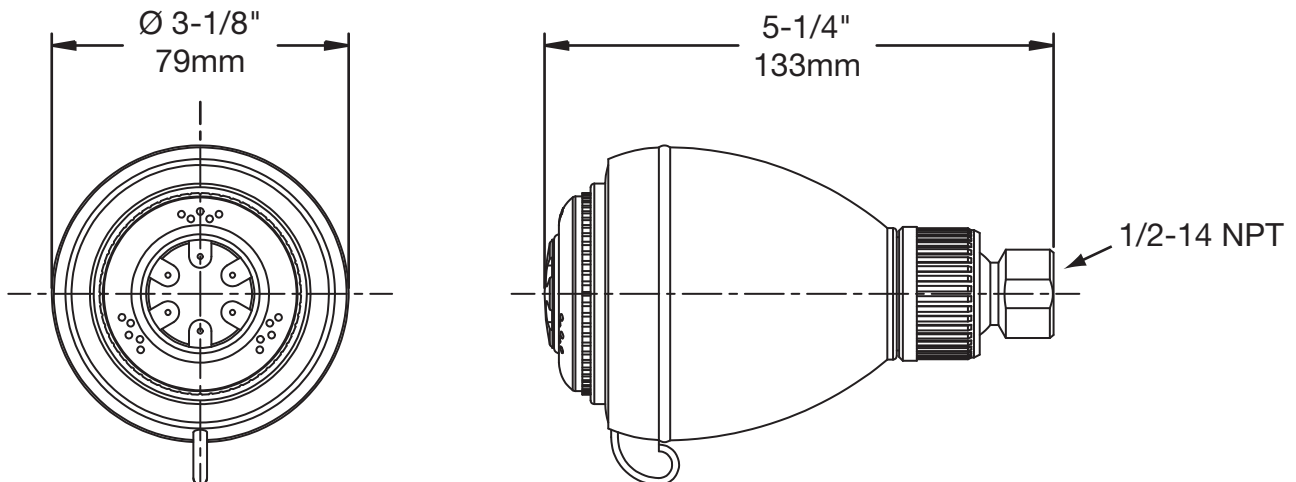
Product Highlights

- Five mode shower head
- Full pulsating massage and soft shower water saving spray modes
- Standard female ball joint connection
- Chrome finish

Warranty

- **Limited Lifetime** - to the original end purchaser in residential / consumer installations.
- **5 years** - for commercial installations

Dimensions Euro-flo Shower Head, 4-145



Note: Dimensions subject to change without notice.

Symmons Industries, Inc. ■ 31 Brooks Drive ■ Braintree, MA 02184

Phone: (800) 796-6667 ■ Fax: (800) 961-9621

Website: symmons.com ■ Email: gethelp@symmons.com

Copyright © 2018 Symmons Industries, Inc. ZV-1839 REV A ■ 032018

