

Location:

SYMMONS® Lucetta®



Roman Tub Faucet SRT-4670

Specification Submittal

Model Numbers

- SRT-4670 Roman Tub Faucet

Finish Options / Modifications

Append appropriate -suffix to model number.

- STN Satin nickel
- Polished chrome (standard finish)

Options / Modifications

Append appropriate -suffix to model number.

Feature Highlights

- Two handle Roman Tub Faucet with quarter turn ceramic control components.
- 1/2 rigid copper tubing connections
- Cast brass spout
- Metal construction, polished chrome finish

Standards / Certifications

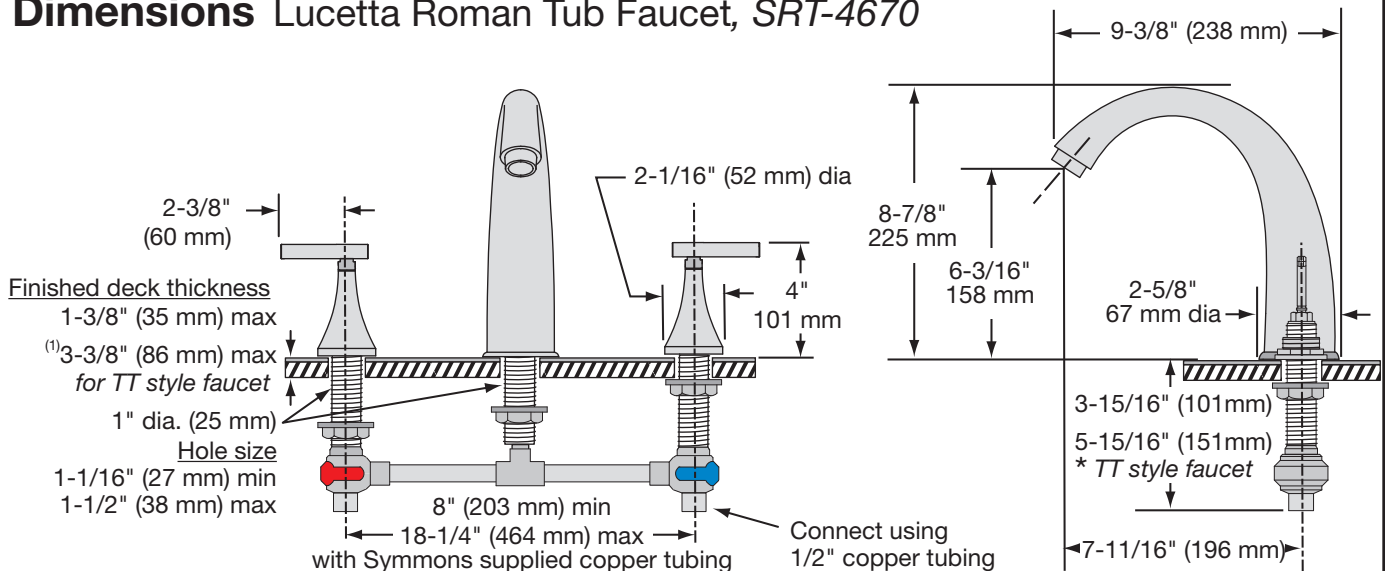
ASME A112.18.1/CSA B125.1



Warranty

- Limited Lifetime - to the original end purchaser in consumer installations.
- 5 years - for commercial installations

Dimensions Lucetta Roman Tub Faucet, SRT-4670



Note

- (1) Use TT style faucet if deck thickness is 1-3/8" to 3-3/8" (35 mm - 86 mm). Contact Symmons customer service to special order TT style faucet, model number SRT-4670-TT-BDY.
- (2) Dimensions subject to change without notice.

Symmons Industries, Inc. ■ 31 Brooks Drive ■ Braintree, MA 02184
 Phone: (800) 796-6667 ■ Fax: (800) 961-9621
 Website: symmons.com ■ Email: gethelp@symmons.com
 Copyright © 2018 Symmons Industries, Inc. ■ ZV-1917 REV A ■ 121018

