





SYMMONS® DS Creations
the smart choice™

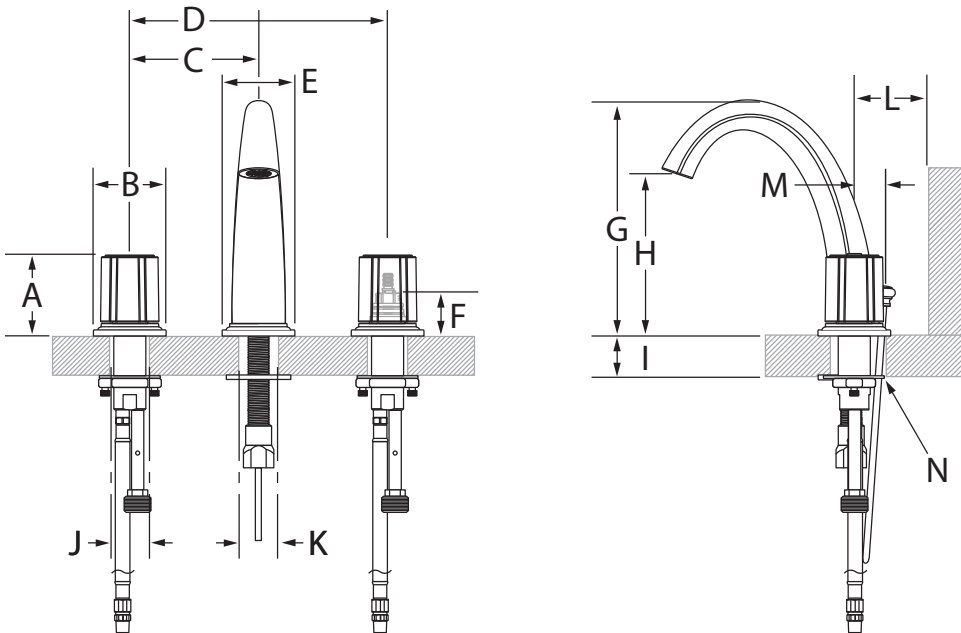
Location:



SLW-0600-12-1.0 Series (CDSLW0600-12-1.0)
Two Handle Widespread Lavatory Faucet
Specification Submittal

Model Numbers	Specification
<input type="checkbox"/> SLW-0600-12-1.0 <i>Two Handle Widespread Lavatory Faucet</i> <input type="checkbox"/> SLW-0600-12-1.0-TRM <i>Two Handle Widespread Lavatory Faucet Trim</i>	Two Handle Widespread Lavatory Faucet (with widespread valve body assembly) featuring 8"-16" mount shall include quarter turn ceramic cartridges, 1/2" IPS inlet connections, metal drain assembly and 1.0 gpm (3.8 L/min) aerator. Faucet shall be made from metal construction, plated in standard polished chrome finish.
Warranty	Compliance
<p>Limited Lifetime - to the original end purchaser in consumer/residential installations. 5 Years - for industrial/commercial installations. Refer to www.symmons.com/warranty for complete warranty information.</p>	<p>-ASME A112.18.1/CSA B125.1 -NSF/ANSI 61.9, NSF/ANSI 372 -WaterSense 1.0 gpm (3.8 L/min) for SLW-0600-12-1.0 only</p> <div style="display: flex; justify-content: space-around; align-items: center;">   </div>

Dimensions



Measurements	
A	(2x) 2-9/16", 65 mm
B	Ø 2-1/4", 57 mm
C	4", 102 mm
D	8", 203 mm
E	Ø 2-1/4", 57 mm
F	1-5/16", 33 mm
G	7-1/4", 184 mm
H	5", 127 mm
I	Deck Thickness Ref. Max. 1-13/16", 46 mm
J	(2x) Hole Size Ø 1-1/4", 32 mm
K	Hole Size Ø 1-1/4", 32 mm
L	Min. 2-1/4", 57 mm
M	3/4", 19 mm
N	Hole Size Ø 3/4", 19 mm

Note: Dimensions subject to change without notice.