






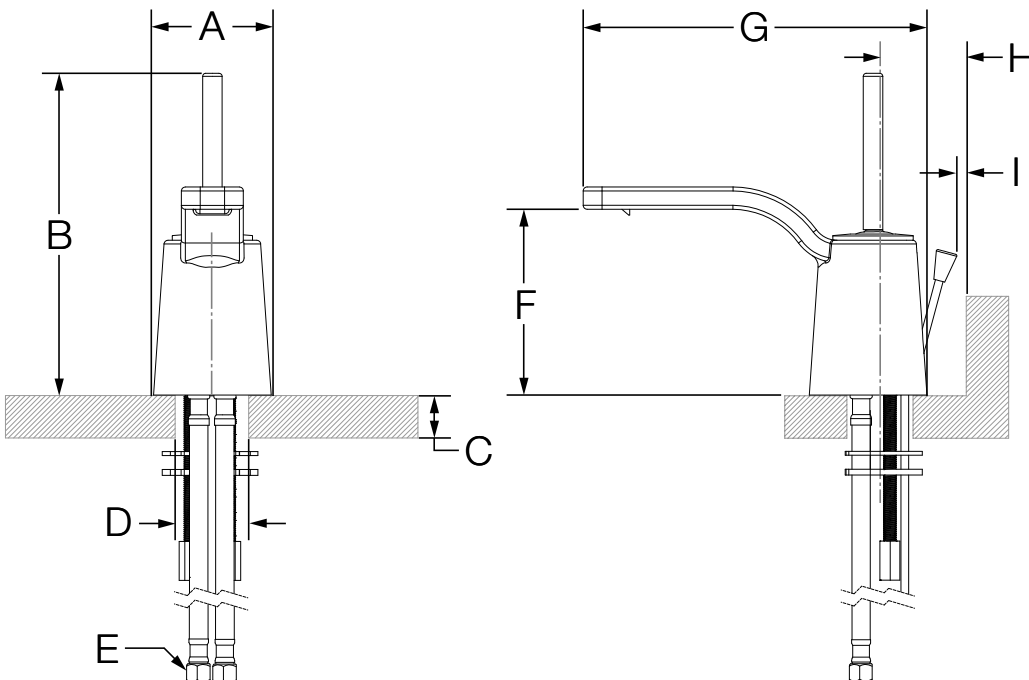
Location:



SLS-0142-1.5
Single Handle Joystick Faucet
Specification Submittal

<p>Model Number</p>	<p>Specification</p>
<p><input type="checkbox"/> SLS-0142-1.5 <i>Single Handle Joystick Faucet</i></p>	<p>Single handle joystick faucet with red & blue indicators featuring single hole mounting configuration. Includes ceramic cartridge, 25" stainless steel braided hoses with 3/8" compression fittings, metal drain assembly and 1.5 gpm (5.7 L/min) flow regulator. Components made from brass and nonmetallic materials plated in standard polished chrome finish.</p> 
<p>Modifications</p>	
<p><input type="checkbox"/> -0.5 <i>0.5 gpm (1.9 L/min) aerator</i> <input type="checkbox"/> -1.0 <i>1.0 gpm (3.8 L/min) aerator</i> <input type="checkbox"/> -2.2 <i>2.2 gpm (8.3 L/min) aerator</i> <input type="checkbox"/> -G <i>Grid drain</i></p> <p>Note: Append appropriate -suffix to model number.</p>	
<p>Compliance</p> <p>-ASME A112.18.1/CSA B125.1 -NSF/ANSI 61.9, NSF/ANSI 372 -WaterSense 1.5 gpm (5.7 L/min)</p>  	<p>Warranty</p> <p>Limited Lifetime - to the original end purchaser in consumer installations. 5 Years - for commercial installations.</p> <p>Refer to www.symmons.com/warranty for complete warranty information.</p>

Dimensions



Measurements	
A	Ø 2-3/8", 60 mm
B	6-1/2", 165 mm
C	Deck Thickness Ref. Max. 1-3/8", 35 mm
D	Hole Size Max. Ø 1-1/2", 38 mm
E	3/8" compression fitting
F	3-3/4", 95 mm
G	6-7/8", 175 mm
H	2-1/4", 57 mm
I	Min. 3/4", 19 mm

Note: Dimensions subject to change without notice.