



Location:

SYMMONS® Origins®

the smart choice™

S-9600-PLR-OP, S-9600-PLR-OP-TRM, S9600PLROPTRMTC
 Shower Valve System or Trim
Specification Submittal



Feature Highlights

- Origins Shower Valve System or Trim
- Requires Temptrol® Pressure Balancing Shower Valve (included with S-9600-PLR-OP)
- Adjustable stop screw to limit handle turn (included with S-9600-PLR-OP)
- 13" oval escutcheon
- Integral volume control
- Metal lever handle
- Showerhead not included
- Components shall be metal and nonmetallic construction, plated in standard Polished Chrome finish
- Available with TA-10 flow control spindle and T-12A cap assembly for Temptrol valve bodies installed with Test Cap (order p/n S9600PLROPTRMTC)

Model Numbers

- S-9600-PLR-OP**
Shower Valve System with integral volume control & Temptrol Pressure Balancing Shower Valve
- S-9600-PLR-OP-TRM**
Shower Valve Trim with integral volume control, Temptrol Pressure Balancing Shower Valve ordered separately
- S9600PLROPTRMTC**
Shower Valve Trim with integral volume control, TA-10 flow control spindle and T-12A cap assembly, must order Temptrol valve with Test Cap

Compliance



- ASME A112.18.1/CSA B125.1
- Buy American Act (S-9600-PLR-OP only)



Warranty

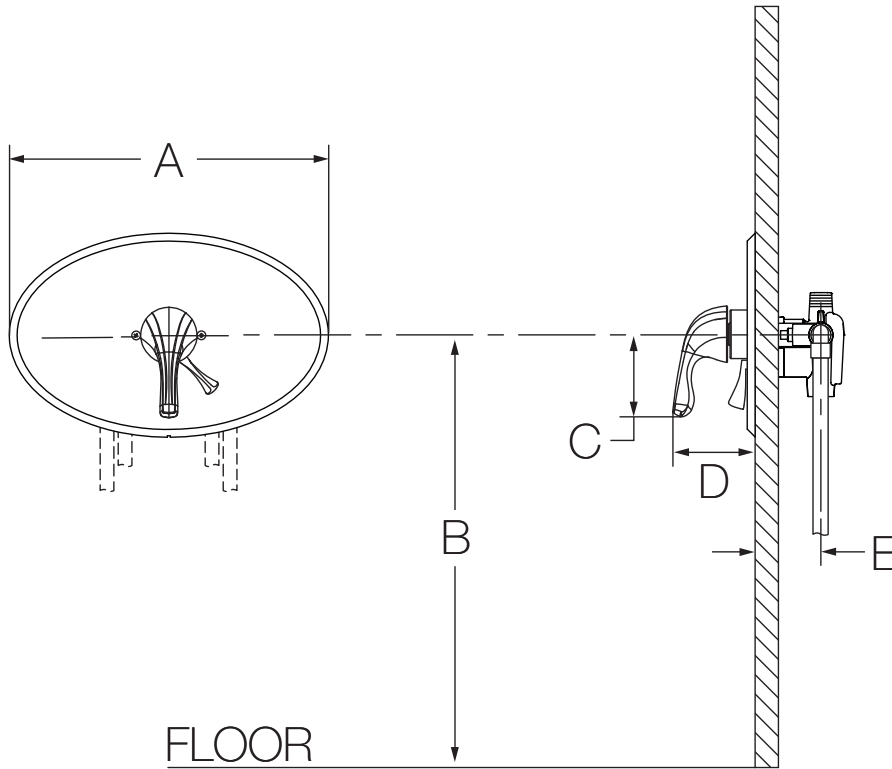
Limited Lifetime - to the original end purchaser in consumer/residential installations.
5 Years - for industrial/commercial installations.
 Refer to www.symmons.com/warranty for complete warranty information.
 Go to www.symmons.com/register to register your Symmons product.

Options/Modifications

- B** *Brass escutcheon (chrome only)*
- CHKS** *Integral check stops - for use in installations where a positive shut-off device is used downstream of mixing valve*
- D** *Brass dome cover (chrome only)*
- LAM**  *Metal finish insert handle*
- LP**  *Loop handle*
- REB** *Rebuild trim kit, includes TA-10 and TA-4*
- VP** *Vandal resistant escutcheon screws in place of standard screws*
- X** *Integral service stops - allows water shut-off at valve for service*
- STN** *Satin Nickel finish*

Note: Append appropriate -suffix to model number.

Dimensions



Measurements	
A	13", 330 mm
B	Ref. 42", 1067 mm
C	3-3/8", 86 mm
D	3-5/8", 92 mm
E	Rough-in 2-3/8" ± 1/2", 60 mm ± 13 mm

Notes:

- 1) Valve body and piping not included and shown as reference only.
- 2) Plaster shield (p/n T-176) for dry wall, plaster or other type walls 1/2" or greater.
- 3) All dimensions measured from nominal rough-in (see E as reference).
- 4) Dimensions subject to change without notice.